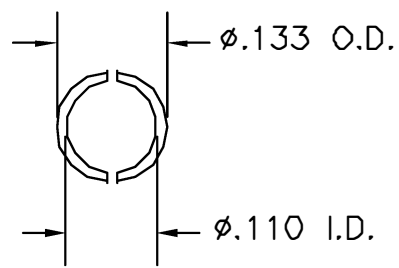
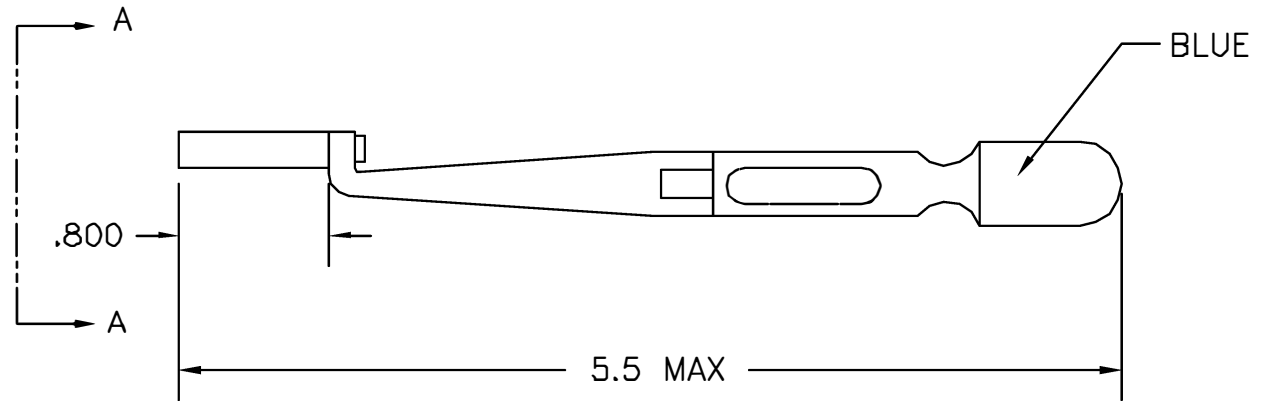


REVISIONS				
REV. SYM.	E.C.O. NUMBER	DESCRIPTION	BY DATE	APP'D DATE
1		ORIGINAL RELEASE	AWJ 11/28/00	RRR 11/29/00



VIEW A-A



**UNCONTROLLED DOCUMENT
WILL NOT BE UPDATED**

RESTRICTED & CONFIDENTIAL		ITEM	PART NO.	QTY.	DESCRIPTION/REMARKS			
CONFIDENTIAL PROPERTY OF DANIELS MANUFACTURING CORP. NOT TO BE DISCLOSED TO OTHERS, REPRODUCED OR USED FOR ANY OTHER PURPOSE, EXCEPT AS AUTHORIZED IN WRITING BY DANIELS MANUFACTURING. MUST BE RETURNED TO DANIELS MANUFACTURING CORP. ON COMPLETION OF ORDER OR OTHER PURPOSE FOR WHICH LENT.		URN.	J. JOYCE	DATE 11/28/00	DANIELS MANUFACTURING CORP. ORLANDO, FLORIDA CAGE 71851			
		CHK'D.	RRR	DATE 11/29/00				
		APP'D.		DATE				
		APP'D.		DATE				
		NOTE: THIS DRAWING IS AN OUTLINE DRAWING OF THE RESPECTIVE DMC PART NUMBER INDICATED. ACTUAL DMC PART NUMBER IS DRAWING NUMBER WITHOUT THE "-ENV" SUFFIX.			TITLE #16 INSTALLING TOOL ENVELOPE DRAWING			
DO NOT SCALE DRAWING		WHERE USED		SIZE B	SCALE NTS	CAD P/N DAK264-16-ENV	SHEET 1	OF 1
		POSTING		DWG. NO. DAK264-16-ENV	REV. 1			

Mouser Electronics

Authorized Distributor

Click to View Pricing, Inventory, Delivery & Lifecycle Information:

[Daniels Manufacturing:](#)

[DAK264-16](#)