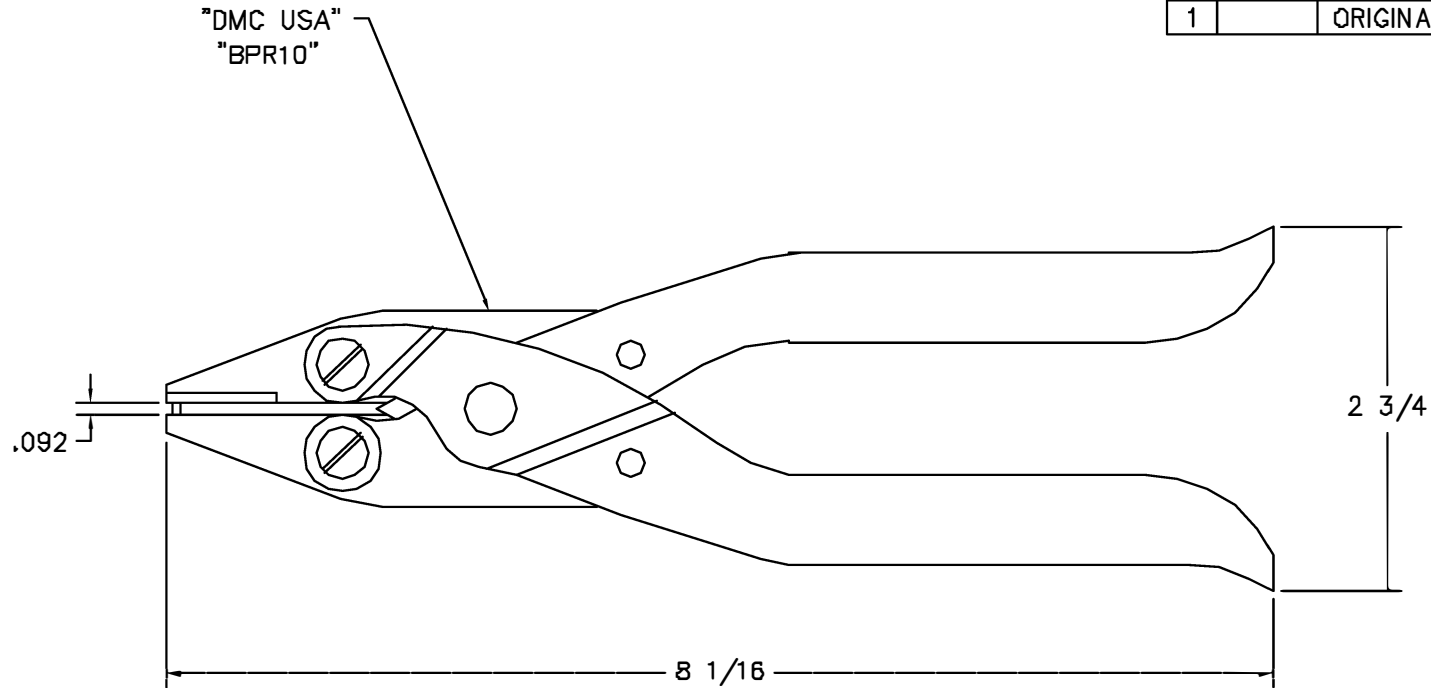



REVISIONS				
REV. SYN.	E.C.O. NUMBER	DESCRIPTION	BY DATE	APP'D DATE
1		ORIGINAL RELEASE	JWJ 6/23/01	RFR 6/23/01



**UNCONTROLLED DOCUMENT
WILL NOT BE UPDATED**

<p>RESTRICTED & CONFIDENTIAL</p> <p>CONFIDENTIAL PROPERTY OF DANIELS MANUFACTURING CORP. NOT TO BE DISCLOSED TO OTHERS. REPRODUCED OR USED FOR ANY OTHER PURPOSE, EXCEPT AS AUTHORIZED IN WRITING BY DANIELS MANUFACTURING. MUST BE RETURNED TO DANIELS MANUFACTURING CORP. ON COMPLETION OF ORDER OR OTHER PURPOSE FOR WHICH SENT.</p>	MATERIAL	ITEM	PART NO.	QTY.	DESCRIPTION/REMARKS			
	HEAT TREAT	DRN. J. JOYCE	DATE 9/23/01		 <p>DANIELS MANUFACTURING CORP. ORLANDO, FLORIDA CAGE 11851</p>			
	FINISH	APP'D.	DATE					
DO NOT SCALE DRAWING	NOTE: THIS DRAWING IS AN OUTLINE DRAWING OF THE RESPECTIVE DMC PART NUMBER INDICATED. ACTUAL DMC PART NUMBER IS DRAWING NUMBER WITHOUT THE "-ENV" SUFFIX.	APP'D.	DATE	TITLE	BAYONET PIN REMOVAL TOOL ENVELOPE DRAWING			
		WHERE USED	SIZE	SCALE	CAD P/N	SHEET	OF	REV.
			B	NTS	BPR10-ENV	1	1	1
					DMC. NO. BPR10-ENV			1

Mouser Electronics

Authorized Distributor

Click to View Pricing, Inventory, Delivery & Lifecycle Information:

[Daniels Manufacturing:](#)

[BPR10](#)