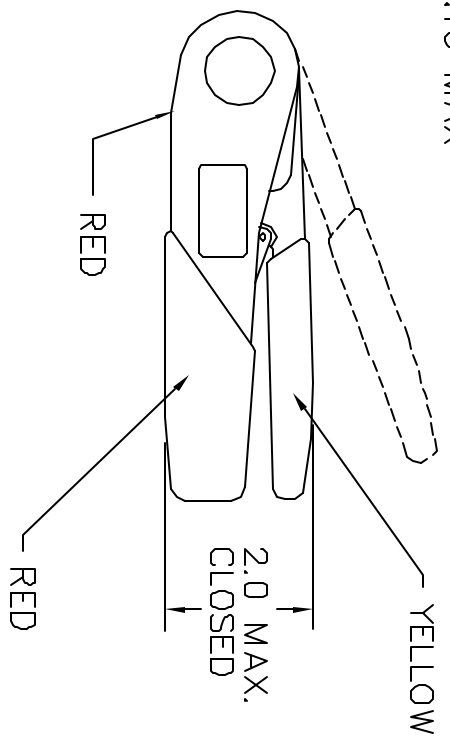
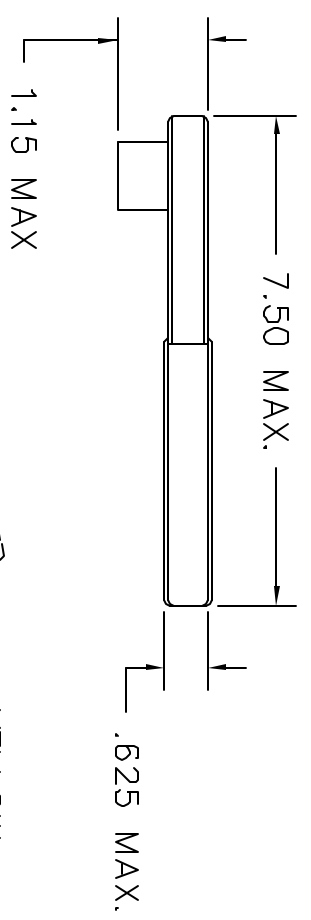


UNCONTROLLED DOCUMENT WILL NOT BE UPDATED

REVISIONS				
REV. SYM.	E.C.D. NUMBER	DESCRIPTION	BY DATE	APP'D DATE
1		ORIGINAL RELEASE	AMM 3-8-99	RRR 3-8-99



Tool No. 2043-2	Wire 24
Gage Go .022 No .027	
Contacts: MS27655-20 MS27490-20, MS27491-20 MS27492-20, MS27493-20 MS27494-20	

DATAPLATE

RESTRICTED & CONFIDENTIAL

CONFIDENTIAL PROPERTY OF DANIELS MANUFACTURING CORP. NOT TO BE DISCLOSED TO OTHERS, REPRODUCED OR USED FOR ANY OTHER PURPOSE, EXCEPT AS AUTHORIZED IN WRITING BY DANIELS MANUFACTURING. MUST BE RETURNED TO DANIELS MANUFACTURING CORP. ON COMPLETION OF ORDER OR OTHER PURPOSE FOR WHICH LENT.

MATERIAL	
HEAT TREAT	
FINISH	

ITEM	PART NO.	QTY.	DESCRIPTION/REMARKS
DRAWN A. MOO-YOUNG	DATE 3-8-99		
CHKD. RRR	DATE 3-8-99		
APPD.	DATE		
APPD.	DATE		

DMC DANIELS MANUFACTURING CORP.
ORLANDO, FLORIDA
CAGE 11851

TITLE
ENVELOPE DRAWING
SPECIAL PURPOSE TOOL

WHERE USED:

SIZE	SCALE	CAD P/N	SHEET	OF
A	NTS	2043-2-ENV	1	1
POSTING	P/N	2043-2-ENV	REV.	1

DO NOT SCALE DRAWING

Mouser Electronics

Authorized Distributor

Click to View Pricing, Inventory, Delivery & Lifecycle Information:

[Daniels Manufacturing:](#)

[2043-2A](#)