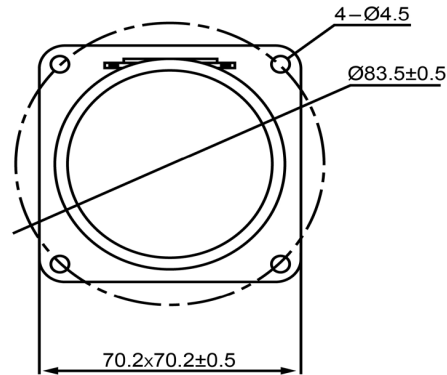
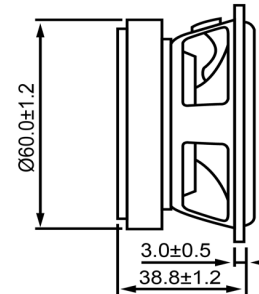



TOP VIEW



SIDE VIEW



Specifications			Notes	Revision History							
Description	Value	Unit		Version	Description		Date	Approved			
Shape	Rectangle		1) All dimensions are in mm unless otherwise noted 2) All parts meet RoHS	1	Released from Engineering		10/21/2013	J.S			
Resonant Frequency	95	(Hz)									
Frequency Range	95 ~ 3,500	(Hz)									
SPL @ 10cm	96	(dBA)									
Impedance	8	(Ohm)									
Cone Material	Paper										
Nominal Power	10	(W)									
Max Power	15	(W)									
Mount Type	Frame										
Operating Temperature	-25 ~ +55	°C									
Storage Temperature	-25 ~ +55	°C									
Weight	288	(g)									
 <b>DB UNLIMITED</b>			<b>Dynamic Speaker</b>			<b>SP700108-1</b>					
											Drawn by
						A.B.	10/21/2013	C.E.	10/21/2013	J.S	10/21/2013

Additional considerations can be found at [www.dbunlimitedco.com/technical-articles](http://www.dbunlimitedco.com/technical-articles).

# Mouser Electronics

Authorized Distributor

Click to View Pricing, Inventory, Delivery & Lifecycle Information:

[DB Unlimited:](#)

[SP700108-1](#)