

HLMP-ELxx, HLMP-EHxx, HLMP-EJxx, HLMP-EGxx

T-1³/₄ (5-mm) Precision Optical Performance AllnGaP LED Lamps

Description

These precision optical performance AllnGaP LEDs provide superior light output for excellent readability in sunlight and are extremely reliable. AllnGaP LED technology provides extremely stable light output over long periods of time. These precision optical performance lamps use aluminum indium gallium phosphide (AllnGaP) technology.

These LED lamps are untinted, nondiffused, T-1³/₄ packages incorporating second-generation optics, producing well-defined spatial radiation patterns at specific viewing cone angles.

These lamps are made with an advanced optical grade epoxy, offering superior high-temperature and high-moisture resistance performance in outdoor signal and sign applications. The high maximum LED junction temperature limit of +130°C enables high-temperature operation in bright sunlight conditions. The package epoxy contains both UVA and UVB inhibitors to reduce the effects of long-term exposure to direct sunlight.

These lamps are available in two package options to give the designer flexibility with device mounting.

Benefits

- Viewing angles match traffic management sign requirements
- Colors meet automotive and pedestrian signal specifications
- Superior performance in outdoor environments
- Suitable for auto-insertion onto PC boards

Features

- Well-defined spatial radiation patterns
- Viewing angles: 8°, 15°, 23°, 30°
- High luminous output
- Colors:
 - 590-nm amber
 - 605-nm orange
 - 615-nm red orange
 - 626-nm red
- High operating temperature: T_J LED = +130°C
- Superior resistance to moisture
- Package options:
 - With or without lead standoffs

Applications

- Traffic management:
 - Traffic signals
 - Pedestrian signals
 - Work zone warning lights
 - Variable message signs
- Commercial outdoor advertising:
 - Signs
 - Marquees
- Automotive:
 - Exterior and interior lights

Device Selection Guide

Table 1: Device Selection Guide, 8° Typical Viewing Angle

Typical Viewing Angle $2\theta_{1/2}$ (Deg) ^a	Color and Dominant Wavelength (nm), Typ. ^b	Lamps without Standoffs on Leads (Outline Drawing A)	Lamps with Standoffs on Leads (Outline Drawing B)	Luminous Intensity I _v (mcd) ^{c, d, e} at 20 mA	
				Min.	Max.
8°	Amber 590	HLMP-EL08-T0000	—	2500	—
		HLMP-EL08-VY000	HLMP-EL10-VY000	4200	12000
		HLMP-EL08-WZ000	—	5500	16000
		HLMP-EL08-X1K00	HLMP-EL10-X1K00	7200	21000
		HLMP-EL08-X1000	HLMP-EL10-X1000	7200	21000
	Orange 605	HLMP-EJ08-WZ000	—	5500	16000
		HLMP-EJ08-X1000	—	7200	21000
		HLMP-EJ08-Y2000	—	9300	27000
	Red-Orange 615	HLMP-EH08-UX000	—	3200	9300
		HLMP-EH08-WZ000	HLMP-EH10-WZ000	5500	16000
		HLMP-EH08-Y2000	HLMP-EH10-Y2000	9300	27000
	Red 626	HLMP-EG08-T0000	—	2500	—
		HLMP-EG08-VY000	—	4200	12000
		HLMP-EG08-WZ000	HLMP-EG10-WZ000	5500	16000
		HLMP-EG08-X1000	HLMP-EG10-X1000	7200	21000
		HLMP-EG08-YZ000	—	9300	16000
HLMP-EG08-Y2000		HLMP-EG10-Y2000	9300	27000	

a. $\theta_{1/2}$ is the off-axis angle where the luminous intensity is half the on-axis intensity.

b. The dominant wavelength, λ_d , is derived from the CIE Chromaticity Diagram and represents the color of the lamp.

c. The luminous intensity is measured on the mechanical axis of the lamp package.

d. The optical axis is closely aligned with the package mechanical axis.

e. Tolerance for each intensity bin limit is $\pm 15\%$.

Table 2: Device Selection Guide, 15° Typical Viewing Angle

Typical Viewing Angle $2\theta_{1/2}$ (Deg) ^a	Color and Dominant Wavelength (nm), Typ ^b	Lamps without Standoffs on Leads (Outline Drawing A)	Lamps with Standoffs on Leads (Outline Drawing B)	Luminous Intensity I _v (mcd) ^{c, d, e} at 20 mA	
				Min.	Max.
15°	Amber 590	HLMP-EL15-PS000	—	880	2500
		HLMP-EL15-QT000	—	1150	3200
		HLMP-EL15-UX000	—	3200	9300
		HLMP-EL15-VY000	HLMP-EL17-VY000	4200	12000
		HLMP-EL15-VYK00	—	4200	12000
	Orange 605	HLMP-EJ15-PS000	—	880	2500
		HLMP-EJ15-SV000	HLMP-EJ17-SV000	1900	5500
	Red-Orange 615	HLMP-EH15-RU000	—	1500	4200
		HLMP-EH15-TW000	—	2500	7200
	Red 626	HLMP-EG15-PS000	—	880	2500
		HLMP-EG15-QT000	—	1150	3200
		HLMP-EG15-RU000	—	1500	4200
		HLMP-EG15-UX000	HLMP-EG17-UX000	3200	9300
		HLMP-EG15-TW000	—	2500	7200

- a. $\theta_{1/2}$ is the off-axis angle where the luminous intensity is half the on-axis intensity.
- b. The dominant wavelength, λ_d , is derived from the CIE Chromaticity Diagram and represents the color of the lamp.
- c. The luminous intensity is measured on the mechanical axis of the lamp package.
- d. The optical axis is closely aligned with the package mechanical axis.
- e. Tolerance for each intensity bin limit is $\pm 15\%$.

Table 3: Device Selection Guide, 23° Typical Viewing Angle

Typical Viewing Angle 2θ _½ (Deg) ^a	Color and Dominant Wavelength (nm), Typ ^b	Lamps without Standoffs on Leads (Outline Drawing A)	Lamps with Standoffs on Leads (Outline Drawing B)	Luminous Intensity I _v (mcd) ^{c, d, e} at 20 mA	
				Min.	Max.
23°	Amber 590	HLMP-EL24-PS000	HLMP-EL26-PS000	880	2500
		HLMP-EL24-QT000	HLMP-EL26-QT000	1150	3200
		HLMP-EL24-SU400	—	1900	4200
		HLMP-EL24-TW000	—	2500	7200
	Orange 605	HLMP-EJ24-QT000	—	1150	3200
	Red-Orange 615	HLMP-EH24-PS000	HLMP-EH26-PS000	880	2500
		HLMP-EH24-QT000	—	1150	3200
	Red 626	HLMP-EG24-PS000	HLMP-EG26-PS000	880	2500
		HLMP-EG24-QT000	—	1150	4200
		HLMP-EG24-RU000	—	1500	4200

a. θ_½ is the off-axis angle where the luminous intensity is half the on-axis intensity.

b. The dominant wavelength, λ_d, is derived from the CIE Chromaticity Diagram and represents the color of the lamp.

c. The luminous intensity is measured on the mechanical axis of the lamp package.

d. The optical axis is closely aligned with the package mechanical axis.

e. Tolerance for each intensity bin limit is ±15%.

Table 4: Device Selection Guide, 30° Typical Viewing Angle

Typical Viewing Angle 2θ _½ (Deg) ^a	Color and Dominant Wavelength (nm), Typ ^b	Lamps without Standoffs on Leads (Outline Drawing A)	Lamps with Standoffs on Leads (Outline Drawing B)	Luminous Intensity I _v (mcd) ^{c, d, e} at 20 mA	
				Min.	Max.
30°	Amber 590	HLMP-EL30-MQ000	—	520	1500
		HLMP-EL30-PQ000	—	880	1500
		HLMP-EL30-PR400	—	880	1900
		HLMP-EL30-PS000	HLMP-EL32-PS000	880	2500
		HLMP-EL30-PSK00	—	880	2500
		HLMP-EL30-QT000	—	1150	3200
		HLMP-EL30-STK00	—	1900	3200
		HLMP-EL30-SV000	—	1900	5500
	Orange 605	HLMP-EJ30-NR000	—	680	1900
		HLMP-EJ30-PS000	HLMP-EJ32-PS000	880	2500
	Red-Orange 615	HLMP-EH30-MQ000	—	520	1500
		HLMP-EH30-PS000	—	880	2500
	Red 626	HLMP-EG30-KN000	—	310	880
		HLMP-EG30-MQ000	—	520	1500
		HLMP-EG30-NQ000	—	680	1500
		HLMP-EG30-NR000	HLMP-EG32-NR000	680	1900
HLMP-EG30-PR000		—	880	1900	
HLMP-EG30-PS000		—	880	2500	
HLMP-EG30-QT000		—	1150	3200	

a. $\theta_{1/2}$ is the off-axis angle where the luminous intensity is half the on-axis intensity.

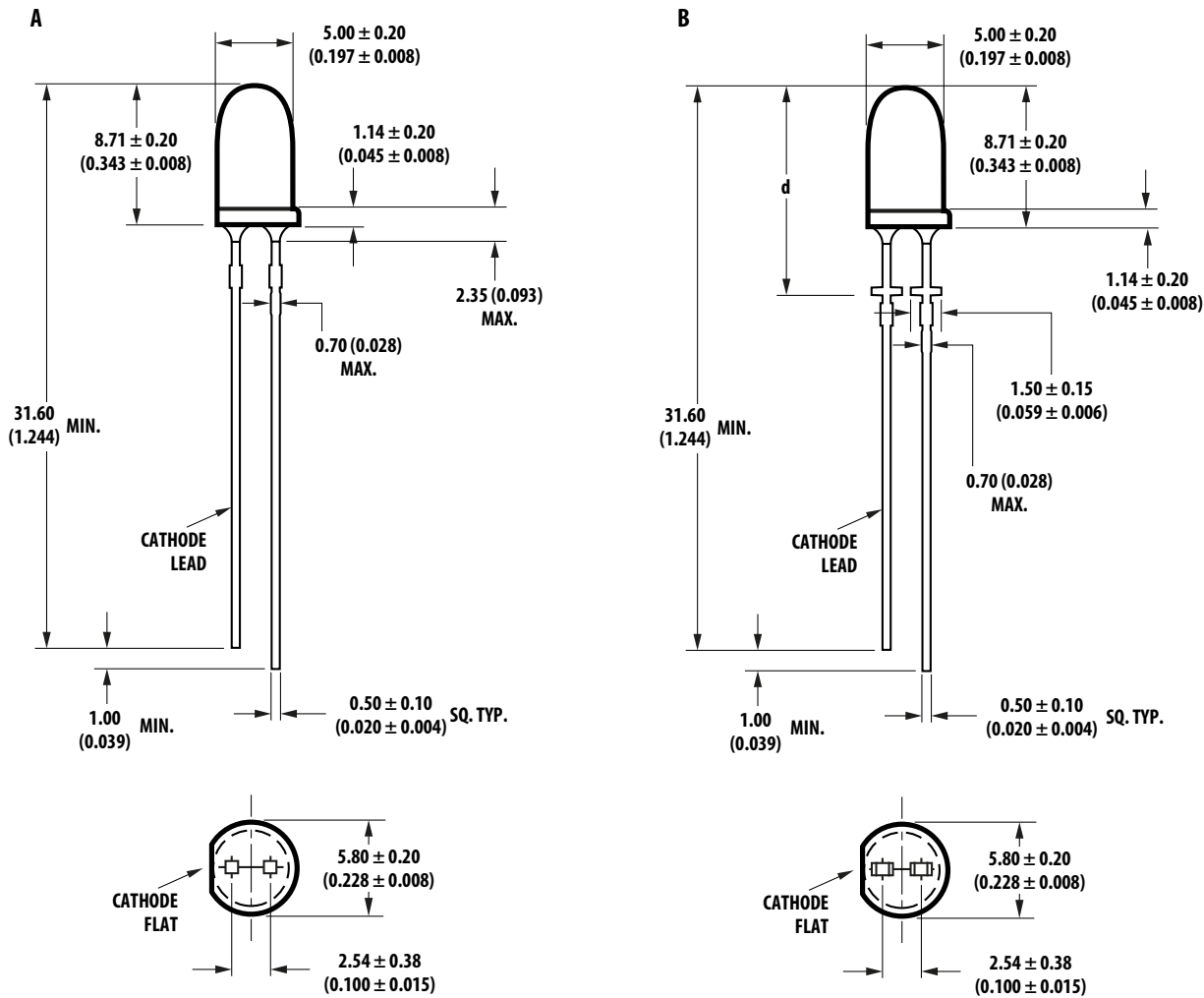
b. The dominant wavelength, λ_d , is derived from the CIE Chromaticity Diagram and represents the color of the lamp.

c. The luminous intensity is measured on the mechanical axis of the lamp package.

d. The optical axis is closely aligned with the package mechanical axis.

e. Tolerance for each intensity bin limit is $\pm 15\%$.

Figure 1: Package Dimensions



PART NO.	HLMP-XX10	HLMP-XX17	HLMP-XX26	HLMP-XX32
d	12.37 ± 0.25 (0.487 ± 0.010)	12.42 ± 0.25 (0.489 ± 0.010)	12.52 ± 0.25 (0.493 ± 0.010)	11.96 ± 0.25 (0.471 ± 0.010)

NOTE:

1. All dimensions are in millimeters (inches).
2. Tapers shown at top of leads (bottom of lamp package) indicate an epoxy meniscus that may extend about 1 mm (0.040 in.) down the leads.
3. For dome heights above lead standoff seating plane, d, lamp package B, see table.

Absolute Maximum Ratings at $T_A = 25^\circ\text{C}$

Parameter	Value
DC Forward Current ^{a, b, c}	50 mA
Peak Pulsed Forward Current ^{b, c}	100 mA
Average Forward Current ^c	30 mA
Reverse Voltage ($I_R = 100 \mu\text{A}$)	5V
LED Junction Temperature	130°C
Operating Temperature	-40°C to +100°C
Storage Temperature	-40°C to +100°C

- a. Derate linearly as shown in [Figure 5](#).
- b. For long-term performance with minimal light output degradation, drive currents between 10 mA and 30 mA are recommended. For more information on recommended drive conditions, refer to Application Brief I-024.
- c. Operating at currents below 1 mA is not recommended. Contact your local representative for further information.

Electrical/Optical Characteristics at $T_A = 25\text{ }^\circ\text{C}$

Parameter	Symbol	Min.	Typ.	Max.	Unit	Test Conditions
Forward Voltage Amber ($\lambda_d = 590\text{ nm}$) Orange ($\lambda_d = 605\text{ nm}$) Red Orange ($\lambda_d = 615\text{ nm}$) Red ($\lambda_d = 626\text{ nm}$)	V_F	—	2.02	2.4	V	$I_F = 20\text{ mA}$
Reverse Voltage	V_R	5	20	—	V	$I_R = 100\text{ }\mu\text{A}$
Dominant Wavelength Amber Orange Red Orange Red	λ_d	584.5	590.0	594.5	nm	$I_F = 20\text{ mA}$
Peak Wavelength Amber ($\lambda_d = 590\text{ nm}$) Orange ($\lambda_d = 605\text{ nm}$) Red Orange ($\lambda_d = 615\text{ nm}$) Red ($\lambda_d = 626\text{ nm}$)	λ_{PEAK}	—	592	—	nm	Peak of wavelength of spectral distribution at $I_F = 20\text{ mA}$
Spectral Halfwidth	$\Delta\lambda_{1/2}$	—	17	—	nm	Wavelength width at spectral distribution $1/2$ power point at $I_F = 20\text{ mA}$
Speed of Response	τ_s	—	20	—	ns	Exponential time constant, e^{-t/τ_s}
Capacitance	C	—	40	—	pF	$V_F = 0$, $f = 1\text{ MHz}$
Thermal Resistance	$R_{\theta J-PIN}$	—	240	—	$^\circ\text{C/W}$	LED junction-to-cathode lead
Luminous Efficacy ^a Amber ($\lambda_d = 590\text{ nm}$) Orange ($\lambda_d = 605\text{ nm}$) Red Orange ($\lambda_d = 615\text{ nm}$) Red ($\lambda_d = 626\text{ nm}$)	η_V	—	480	—	lm/W	Emitted luminous flux/electrical power
Luminous Flux	ϕ_V	—	500	—	lm	$I_F = 20\text{ mA}$
Luminous Efficiency ^b Amber Orange Red Orange Red	η_e	—	13	—	lm/W	Emitted luminous flux/electrical power

a. The radiant intensity, I_e , in watts per steradian, may be found from the equation $I_e = I_v/\eta_V$, where I_v is the luminous intensity in candelas and η_V is the luminous efficacy in lumens/watt.

b. $\eta_e = \phi_V / I_F \times V_F$, where ϕ_V is the emitted luminous flux, I_F is electrical forward current, and V_F is the forward voltage.

Part Numbering System

H L M P -

X ₁	X ₂	X ₃	X ₄
----------------	----------------	----------------	----------------

 -

X ₅	X ₆	X ₇	X ₈	X ₉
----------------	----------------	----------------	----------------	----------------

Code	Description	Option	
X ₁	Package type	E	5-mm Standard Round AlInGaP
X ₂	Color	G	Red
		H	Red Orange
		J	Orange
		L	Amber
X ₃ X ₄	Viewing angle and lead standoffs	08	8° without lead standoffs
		10	8° with lead standoffs
		15	15° without lead standoffs
		17	15° with lead standoffs
		24	23° without lead standoffs
		26	23° with lead standoffs
		30	30° without lead standoffs
		32	30° with lead standoffs
X ₅	Minimum intensity bin	Refer to Device Selection Guide	
X ₆	Maximum intensity bin		
X ₇	Color bin selection	0	Full range
		4	Amber Color bin 4 only
		K	Color bin 2 and 4
X ₈ X ₉	Packaging option	00	Bulk Packaging
		DD	Ammopack
		YY	Flexi-bin: Bulk Packaging
		ZZ	Flexi-bin: Ammpack

NOTE: Refer to AB 5337 for complete information on part numbering system.

Bin Information

Intensity Bin Limits (mcd at 20 mA)

Bin Name	Min.	Max.
K	310	400
L	400	520
M	520	680
N	680	880
P	880	1150
Q	1150	1500
R	1500	1900
S	1900	2500
T	2500	3200
U	3200	4200
V	4200	5500
W	5500	7200
X	7200	9300
Y	9300	12000
Z	12000	16000
1	16000	21000
2	21000	27000

Tolerance for each bin limit is $\pm 15\%$.

Amber Color Bin Limits (nm at 20 mA)

Bin Name ^a	Min.	Max.
1	584.5	587
2	587	589.5
4	589.5	592
6	592	594.5

a. Bin categories are established for classification of products.
Products may not be available in all bin categories.

Tolerance for each bin limit is ± 0.5 nm.

Figure 2: Relative Intensity vs. Peak Wavelength

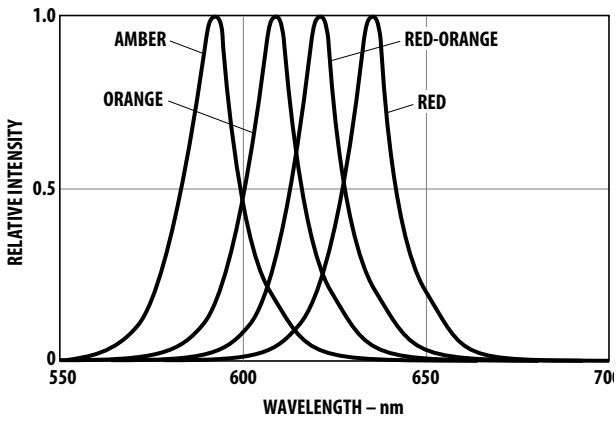


Figure 3: Forward Current vs. Forward Voltage

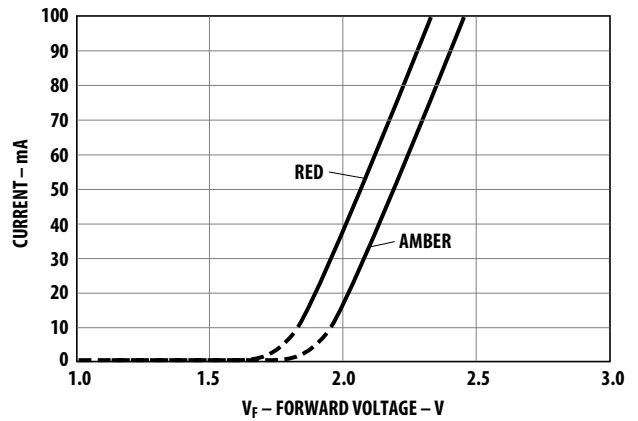


Figure 4: Relative Luminous Intensity vs. Forward Current

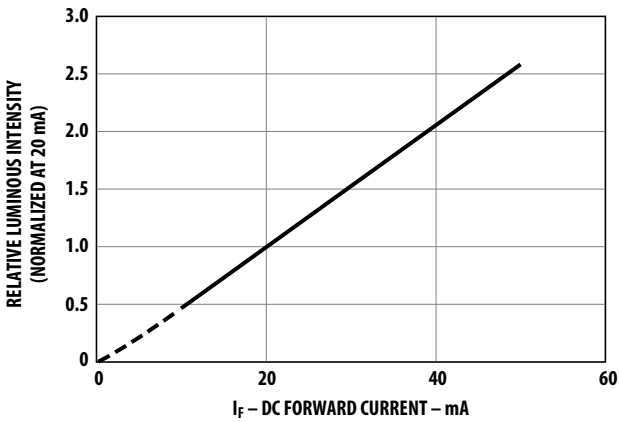


Figure 5: Maximum Forward Current vs. Ambient Temperature



Figure 6: Representative Spatial Radiation Pattern for 8° Viewing Angle Lamps

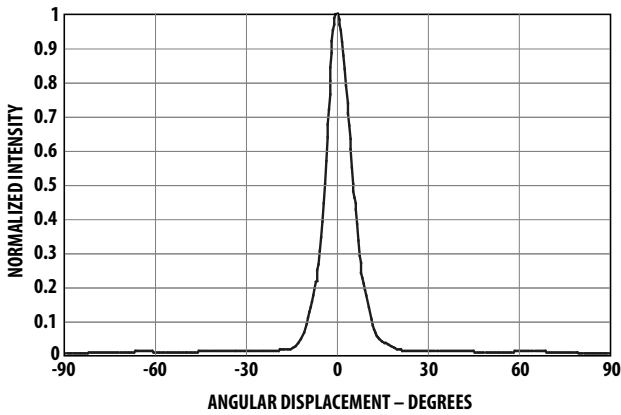


Figure 7: Representative Spatial Radiation Pattern for 15° Viewing Angle Lamps

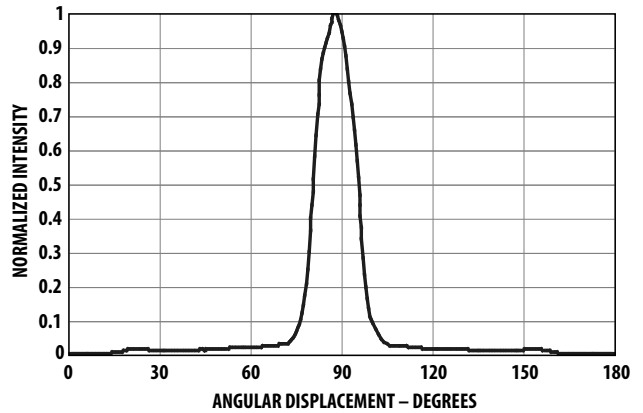


Figure 8: Representative Spatial Radiation Pattern for 23° Viewing Angle Lamps

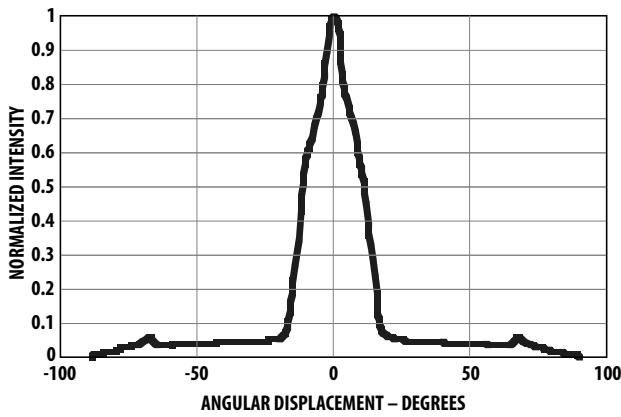


Figure 9: Representative Spatial Radiation Pattern for 30° Viewing Angle Lamps

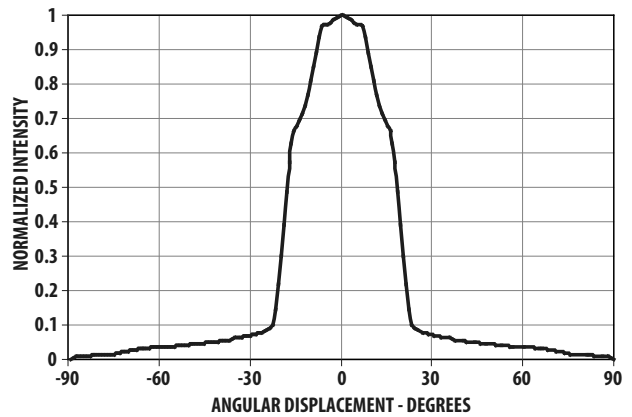
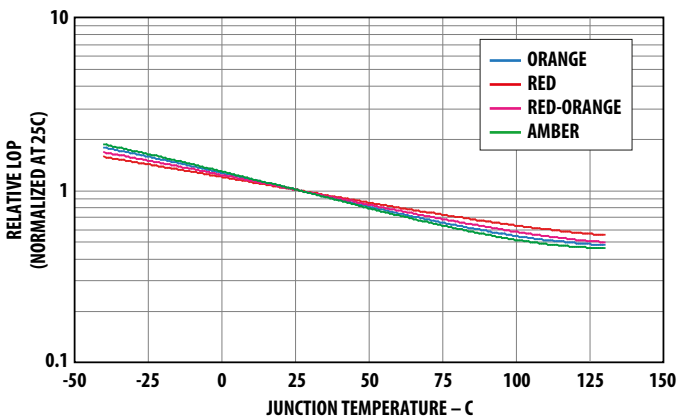


Figure 10: Relative Light Output vs. Junction Temperature



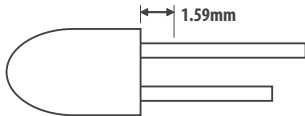
Precautions

Lead Forming

- The leads of an LED lamp may be preformed or cut to length prior to insertion and soldering on PC board.
- For better control, use the proper tool to precisely form and cut the leads to the applicable length rather than doing it manually.
- If manual lead cutting is necessary, cut the leads after the soldering process. The solder connection forms a mechanical ground that prevents mechanical stress due to lead cutting from traveling into LED package. Use this method for hand soldering operation, because the excess lead length also acts as small heat sink.

Soldering and Handling

- Take care during the PCB assembly and soldering process to prevent damage to the LED component.
- The LED component may be effectively hand soldered to PCB; however, do this only under unavoidable circumstances, such as rework. The closest manual soldering distance of the soldering heat source (soldering iron’s tip) to the body is 1.59 mm. Soldering the LED using soldering iron tip closer than 1.59 mm might damage the LED.



- Properly apply ESD precautions on the soldering station and personnel to prevent ESD damage to the LED component that is ESD sensitive. Refer to Broadcom Application Note 1142 for details. The soldering iron used should have a grounded tip to ensure electrostatic charge is properly grounded.
- The recommended soldering conditions follow:

	Wave Soldering ^{a, b}	Manual Solder Dipping
Preheat Temperature	105°C max.	—
Preheat Time	60 seconds max.	—
Peak Temperature	250°C max.	260°C max.
Dwell Time	3 seconds max.	5 seconds max.

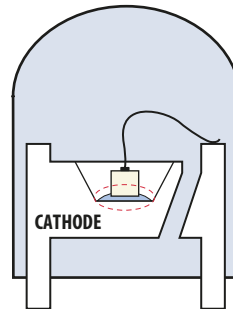
a. The above conditions refer to measurement with the thermocouple mounted at the bottom of the PCB.
 b. Use only bottom preheaters in order to reduce thermal stress experienced by the LED.

- Set and maintain wave soldering parameters according to the recommended temperature and dwell time. Perform daily checks on the soldering profile to ensure that it conforms to the recommended soldering conditions.

NOTE:

- PCBs with different sizes and designs (component density) will have different heat mass (heat capacity). This might cause a change in temperature experienced by the board if the same wave soldering setting is used. Therefore, you must recalibrate the soldering profile again before loading a new type of PCB.
- Broadcom AlInGaP high-brightness LEDs use a high-efficiency LED die with a single wire bond as shown below. Take extra precautions during wave soldering to ensure that the maximum wave temperature does not exceed 250°C and the solder contact time does not exceed 3 seconds. Overstressing the LED during the soldering process might cause premature failure to the LED due to delamination.

Figure 11: Broadcom LED Configuration



NOTE: The electrical connection between the bottom surface of the LED die and the lead frame is achieved through conductive paste.

- Loosely fit any alignment fixture that is being applied during wave soldering and do not apply weight or force on the LED. Use non-metal material because it absorbs less heat during the wave soldering process.

- At elevated temperatures, the LED is more susceptible to mechanical stress. Therefore, allow the PCB to cool down to room temperature prior to handling, which includes removal of alignment fixture or pallet.
- If the PCB board contains both through-hole (TH) LEDs and other surface-mount components, solder the surface-mount components on the top side of the PCB. If the surface mount must be on the bottom side, solder these components using reflow soldering prior to the insertion of the TH LED.
- The following table shows the recommended PC board plated through-hole (PTH) size for LED component leads.

LED Component Lead Size	Diagonal	Plated Through-Hole Diameter
0.45 mm × 0.45 mm (0.018 in. × 0.018 in.)	0.636 mm (0.025 in.)	0.98 mm to 1.08 mm (0.039 in. to 0.043 in.)
0.50 mm × 0.50 mm (0.020 in. × 0.020 in.)	0.707 mm (0.028 in.)	1.05 mm to 1.15 mm (0.041 in. to 0.045 in.)

- Over-sizing the PTH can lead to a twisted LED after clinching. On the other hand, under-sizing the PTH can cause difficulty when inserting the TH LED.

NOTE: Refer to Application Note 5334 for more information about soldering and handling high-brightness TH LED lamps.

Application Precautions

- The drive current of the LED must not exceed the maximum allowable limit across temperature as stated in the data sheet. Constant current driving is recommended to ensure consistent performance.
- LEDs exhibit slightly different characteristics at different drive currents that might result in larger performance variations (such as intensity, wavelength, and forward voltage). Set the application current as close as possible to the test current to minimize these variations.
- The LED is not intended for reverse bias. Use other appropriate components for such purposes. When driving the LED in matrix form, ensure that the reverse bias voltage does not exceed the allowable limit of the LED.

Figure 12: Example of Wave Soldering Temperature Profile for TH LED

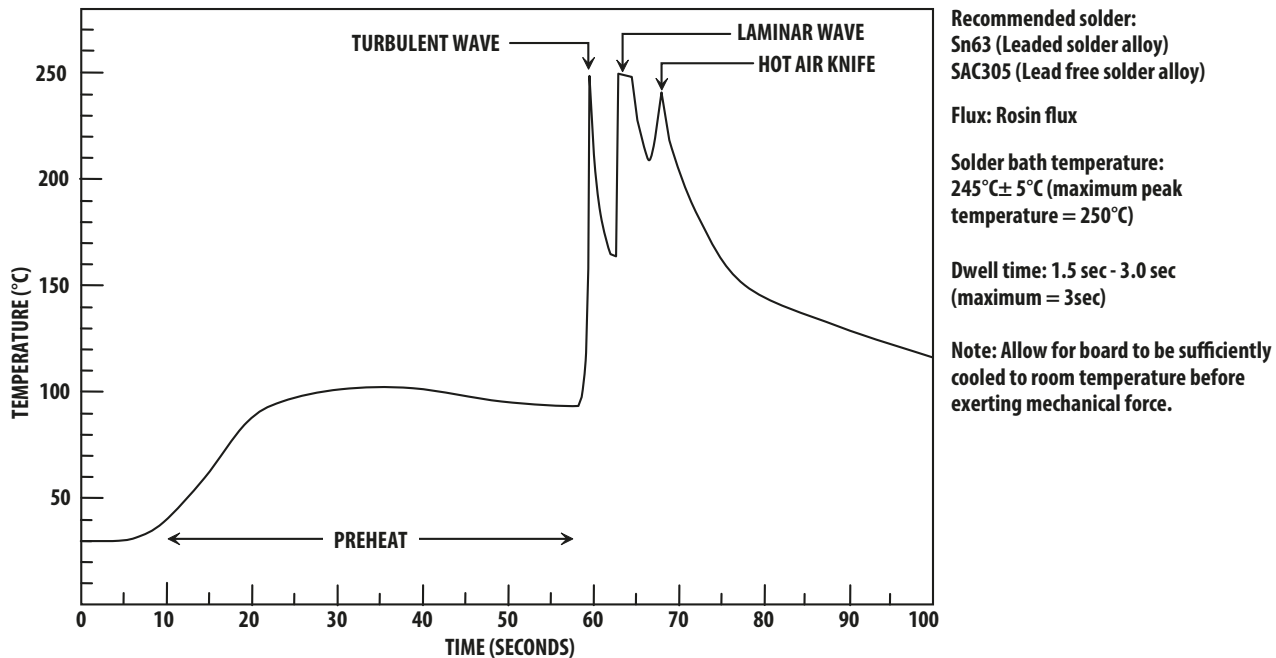
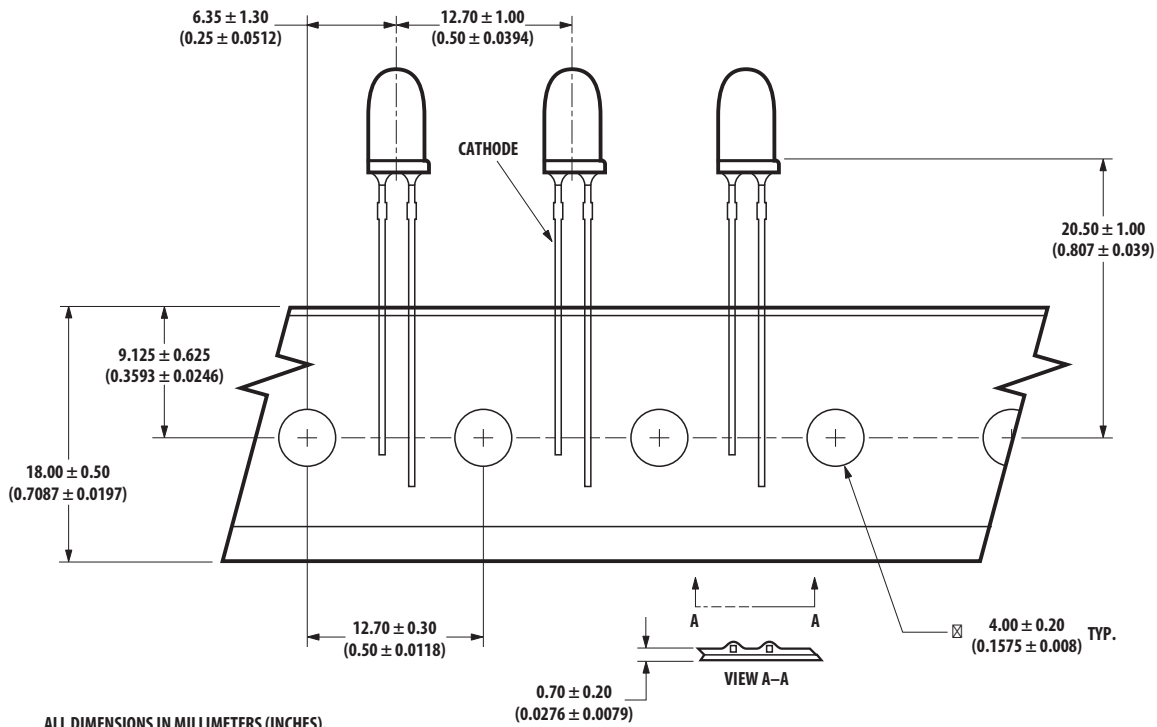


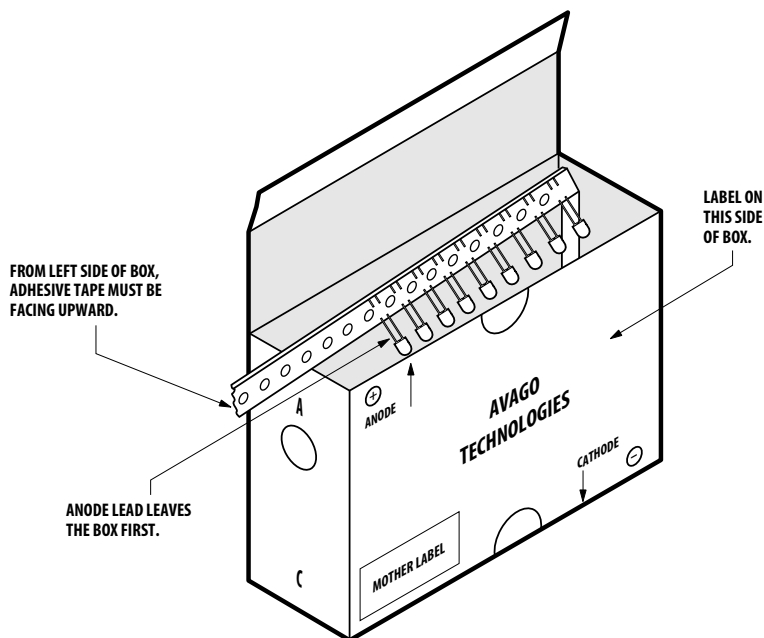
Figure 13: Ammo Pack Drawing



ALL DIMENSIONS IN MILLIMETERS (INCHES).

NOTE: THE AMMO-PACKS DRAWING IS APPLICABLE FOR PACKAGING OPTION -DD & -ZZ AND REGARDLESS OF STANDOFF OR NON-STANDOFF.

Figure 14: Packaging Box for Ammo Packs



NOTE:
THE DIMENSION FOR AMMO PACK IS APPLICABLE FOR THE DEVICE WITH STANDOFF AND WITHOUT STANDOFF.

Disclaimer

Broadcom's products and software are not specifically designed, manufactured, or authorized for sale as parts, components, or assemblies for the planning, construction, maintenance, or direct operation of a nuclear facility or for use in medical devices or applications. The customer is solely responsible, and waives all rights to make claims against Broadcom or its suppliers, for all loss, damage, expense, or liability in connection with such use.

Copyright © 2016–2024 Broadcom. All Rights Reserved. The term “Broadcom” refers to Broadcom Inc. and/or its subsidiaries. For more information, go to www.broadcom.com. All trademarks, trade names, service marks, and logos referenced herein belong to their respective companies.

Broadcom reserves the right to make changes without further notice to any products or data herein to improve reliability, function, or design. Information furnished by Broadcom is believed to be accurate and reliable. However, Broadcom does not assume any liability arising out of the application or use of this information, nor the application or use of any product or circuit described herein, neither does it convey any license under its patent rights nor the rights of others.



Lead (Pb) Free
RoHS Compliant

Mouser Electronics

Authorized Distributor

Click to View Pricing, Inventory, Delivery & Lifecycle Information:

[Broadcom Limited:](#)

[HLMP-EH3B-WX0DD](#) [HLMP-EG1A-Z10DV](#) [HLMP-EG1B-Z10DV](#) [HLMP-EG3A-WX0DV](#) [HLMP-EG3B-WX0DV](#)
[HLMP-EL1A-Z1KDV](#) [HLMP-EL1B-Z1KDV](#) [HLMP-EL1B-Z1LDV](#) [HLMP-EL3A-WXKDV](#) [HLMP-EL3A-WXLDV](#) [HLMP-](#)
[EL3B-WXKDV](#) [HLMP-EL3B-WXLDV](#) [HLMP-EL1A-Z1LDV](#) [HLMP-EG08-T0000](#) [HLMP-EG08-VY000](#) [HLMP-EG08-](#)
[WZ000](#) [HLMP-EG08-WZ0DD](#) [HLMP-EG08-X1000](#) [HLMP-EG08-X10DD](#) [HLMP-EG08-Y2000](#) [HLMP-EG08-Y20DD](#)
[HLMP-EG08-YZ000](#) [HLMP-EG08-YZ0DD](#) [HLMP-EG08-Z2000](#) [HLMP-EG10-T0000](#) [HLMP-EG10-WZ000](#) [HLMP-](#)
[EG10-X1000](#) [HLMP-EG10-X10DD](#) [HLMP-EG10-Y2000](#) [HLMP-EG10-Y20DD](#) [HLMP-EG12-WX0DD](#) [HLMP-EG15-](#)
[N0000](#) [HLMP-EG15-PS000](#) [HLMP-EG15-QT000](#) [HLMP-EG15-QT0DD](#) [HLMP-EG15-RU000](#) [HLMP-EG15-SV000](#)
[HLMP-EG15-TW000](#) [HLMP-EG15-TW0DD](#) [HLMP-EG15-UX000](#) [HLMP-EG15-UX0DD](#) [HLMP-EG17-N0000](#) [HLMP-](#)
[EG17-QT000](#) [HLMP-EG17-RU0DD](#) [HLMP-EG17-SV000](#) [HLMP-EG17-TW000](#) [HLMP-EG17-UX000](#) [HLMP-EG22-](#)
[VW0DD](#) [HLMP-EG23-UX0DD](#) [HLMP-EG24-M0000](#) [HLMP-EG24-PQ0DD](#) [HLMP-EG24-PS000](#) [HLMP-EG24-PS002](#)
[HLMP-EG24-PS0DD](#) [HLMP-EG24-PS0YY](#) [HLMP-EG24-QT000](#) [HLMP-EG24-RS0DD](#) [HLMP-EG24-RU000](#) [HLMP-](#)
[EG24-SV0DD](#) [HLMP-EG26-M0000](#) [HLMP-EG26-PS000](#) [HLMP-EG26-PS0DD](#) [HLMP-EG26-RU000](#) [HLMP-EG26-](#)
[RU0DD](#) [HLMP-EG30-K0000](#) [HLMP-EG30-KN000](#) [HLMP-EG30-KN0DD](#) [HLMP-EG30-LP0DD](#) [HLMP-EG30-MQ000](#)
[HLMP-EG30-MQ0DD](#) [HLMP-EG30-NQ000](#) [HLMP-EG30-NQ0DD](#) [HLMP-EG30-NR000](#) [HLMP-EG30-NR0DD](#) [HLMP-](#)
[EG30-PQ000](#) [HLMP-EG30-PQ0DU](#) [HLMP-EG30-PR000](#) [HLMP-EG30-PS000](#) [HLMP-EG30-PS0DD](#) [HLMP-EG30-](#)
[QT000](#) [HLMP-EG30-QT0DD](#) [HLMP-EG30-RS0DD](#) [HLMP-EG32-K0000](#) [HLMP-EG32-MQ000](#) [HLMP-EG32-MQ0DD](#)
[HLMP-EG32-NR000](#) [HLMP-EG32-NR0DD](#) [HLMP-EG32-PS000](#) [HLMP-EG32-QT000](#) [HLMP-EG32-QT0DD](#) [HLMP-](#)
[EG32-RU0DD](#) [HLMP-EG55-GK0DD](#) [HLMP-EG55-HJ000](#) [HLMP-EG55-HJ0DD](#) [HLMP-EG55-HJ0DU](#) [HLMP-EG55-](#)
[JK0DD](#) [HLMP-EG55-JK0DU](#) [HLMP-EH08-UX000](#) [HLMP-EH08-WZ000](#) [HLMP-EH08-X1000](#)