

ACNU-4804

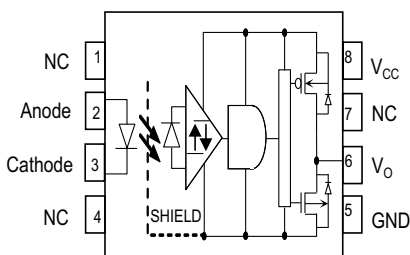
Positive Logic High CMR Intelligent Power Module (IPM) and Gate Drive Interface Optocoupler

Description

The Broadcom® ACNU-4804 is a single-channel fast-speed optocoupler in SSO8 footprint. It contains a AlGaAs LED and photo detector with built-in Schmitt trigger to provide logic compatible waveforms, eliminating the need for additional wave shaping. The totem pole output eliminates the need for a pull-up resistor and allows for direct drive intelligent power modules. Minimized propagation delay differences between devices makes these optocouplers excellent solutions for improving inverter efficiency through reduced switching dead times.

The ACNU-4804 is suitable for IPM interface isolation, AC and brushless DC motor drives, industrial inverters and space-constrained industrial applications. This SSO8 package platform features wide 11-mm creepage and 10.5-mm clearance, high insulation voltage of $V_{iorm} = 1414 V_{peak}$ and compact footprint which is 40% smaller than the 400-mil DIP8 package.

Functional Diagram



NOTE: A 0.1- μ F bypass capacitor must be connected between pins V_{CC} and GND. Truth Table guaranteed: V_{CC} from 4.5V to 30V.

Features

- 11-mm creepage, 10.5-mm clearance in compact SSO8 package
- Positive output type (totem pole output)
- Wide supply voltage: 4.5V to 30V
- Maximum propagation delays, t_{PHL}/t_{PLH} at 150 ns/120 ns
- Propagation delay difference (PDD): minimum/maximum at -130 ns/ $+130$ ns
- Maximum pulse width distortion (PWD), 90 ns
- Hysteresis
- 50 kV/ μ s minimum common-mode rejection at $V_{CM} = 1500V$
- Guaranteed performance within temperature range: $-40^{\circ}C$ to $+105^{\circ}C$
- Worldwide safety approval (pending):
 - UL1577 recognized, 5000Vrms/1min
 - CSA Approval
 - IEC 60747-5-5 Approval for Reinforced Insulation

Applications

- IPM interface isolation
- AC and brushless DC motor drives
- Industrial inverters
- General digital isolation

Truth Table (Non-Inverting Logic)

LED	Output
ON	High
OFF	Low

CAUTION! Take normal static precautions in handling and assembly of this component to prevent damage, degradation, or both that may be induced by ESD. The components featured in this data sheet are not to be used in military or aerospace applications or environments.

Ordering Information

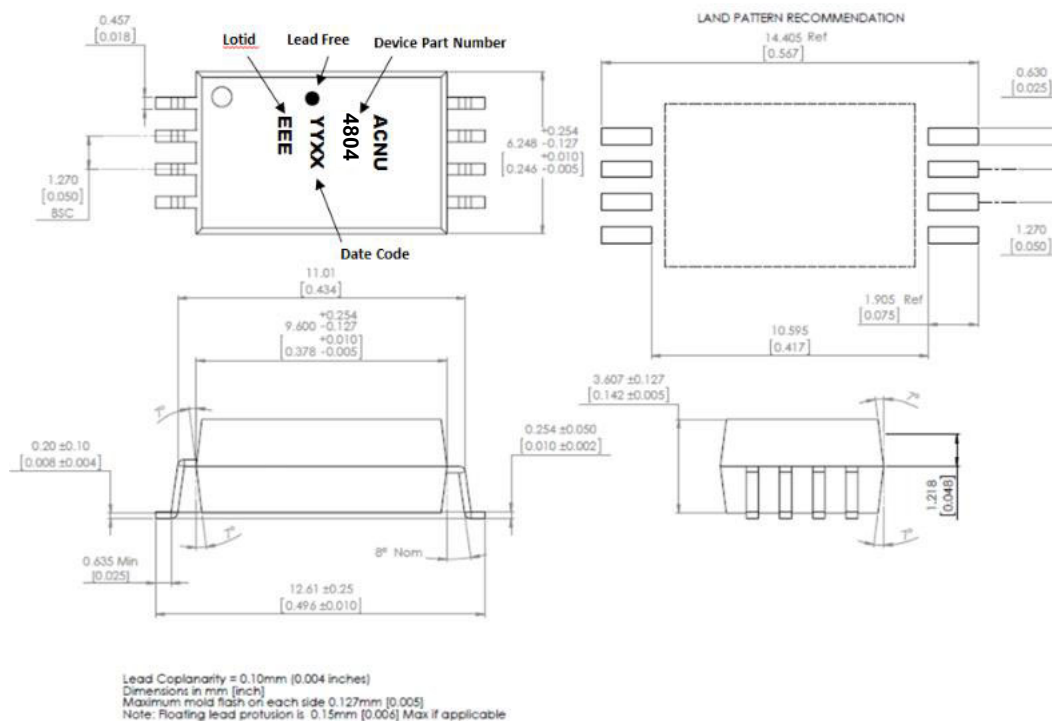
ACNU-4804 is UL Recognized with 5000 V_{rms} for 1 minute per UL1577.

Part Number	Option	Package	Surface Mount	Tape and Reel	UL 1577	IEC 60747-5-5	Quantity
	RoHS Compliant						
ACNU-4804	-000E	11-mm Stretched SO8	X		X	X	80 per tube
	-500E		X	X	X	X	1000 per reel

To order, choose a part number from the part number column and combine with the desired option from the option column to form an order entry.

Package Outline Drawing

ACNU-4804 SSO8 Package



Solder Reflow Profile

Recommended reflow condition as per JEDEC Standard, J-STD-020 (latest revision). Non-halide flux should be used.

Regulatory Information

The ACNU-4804 is pending approval by the following organizations.

UL	Approval under UL 1577, component recognition program up to $V_{ISO} = 5000 V_{RMS}$ File E55361.
CSA	Approval under CSA Component Acceptance Notice #5, File CA 88324.
IEC 60747-5-5	Maximum Working Insulation Voltage $V_{IORM} = 1414V_{peak}$

Insulation and Safety Related Specifications

Parameter	Symbol	ACNU-4804	Units	Conditions
Minimum External Air Gap (External Clearance)	L(101)	10.5	mm	Measured from the input terminals to the output terminals, shortest distance through air.
Minimum External Tracking (External Creepage)	L(102)	11.0	mm	Measured from the input terminals to the output terminals, shortest distance path along body.
Minimum Internal Plastic Gap (Internal Clearance)		0.5	mm	Through insulation distance conductor to conductor, usually the straight line distance thickness between the emitter and detector.
Tracking Resistance (Comparative Tracking Index)	CTI	>300	V	DIN IEC 112/VDE 0303 Part 1
Isolation Group		IIIa		Material Group (DIN VDE 0110, 1/89, Table 1)

IEC 60747-5-5 Insulation Characteristics¹

Description	Symbol	Characteristic	Units
Installation classification per DIN VDE 0110/39, Table 1 for rated mains voltage $\leq 600 V_{rms}$ for rated mains voltage $\leq 1000 V_{rms}$		I - IV I - III	
Climatic Classification		40/105/21	
Pollution Degree (DIN VDE 0110/39)		2	
Maximum Working Insulation Voltage	V_{IORM}	1414	V_{peak}
Input to Output Test Voltage, Method b ^a $V_{IORM} \times 1.875 = V_{PR}$, 100% Production Test with $t_m = 1s$, Partial discharge $< 5 pC$	V_{PR}	2652	V_{peak}
Input to Output Test Voltage, Method a ^a $V_{IORM} \times 1.6 = V_{PR}$, Type and Sample Test, $t_m = 10s$, Partial discharge $< 5 pC$	V_{PR}	2262	V_{peak}
Highest Allowable Overvoltage (Transient Overvoltage $t_{ini} = 60s$)	V_{IOTM}	8000	V_{peak}
Safety-limiting values – maximum values allowed in the event of a failure.			
Case Temperature	T_S	175	$^{\circ}C$
Input Current	$I_{S, INPUT}$	230	mA
Output Power	$P_{S, OUTPUT}$	600	mW
Insulation Resistance at T_S , $V_{IO} = 500V$	R_S	$>10^9$	Ω

a. Refer to the optocoupler section of the Isolation and Control Components Designer's Catalog, under Product Safety Regulations section, (IEC 60747-5-5) for a detailed description of Method a and Method b partial discharge test profiles.

- These optocouplers are suitable for "safe electrical isolation" only within the safety limit data. Maintenance of the safety limit data shall be ensured by means of protective circuits.

Absolute Maximum Ratings

Parameter	Symbol	Min.	Max.	Units
Storage Temperature	T_S	-55	125	°C
Operating Temperature	T_A	-40	105	°C
Average Forward Input Current	$I_{F(avg)}$	—	20	mA
Peak Transient Input Current ($\leq 1 \mu s$ pulse width, 300 pps) ($< 200 \mu s$ pulse width, $< 1\%$ duty cycle)	$I_{F(trans)}$	—	1.0 40	A mA
Reversed Input Voltage	V_R	—	5	V
Average Output Current	I_O	—	50	mA
Supply Voltage	V_{CC}	0	35	V
Output Voltage	V_O	-0.5	35	V
Input Power Dissipation	P_I	37		mW
Output Power Dissipation	P_O	173		mW
Solder Reflow Temperature Profile	Refer to Solder Reflow Profile			

Recommended Operating Conditions

Parameter	Symbol	Min.	Max.	Units
Supply Voltage	V_{CC}	4.5	30	V
Input Current, High Level	I_{FH}	12	20	mA
Operating Temperature	T_A	-40	105	°C
Forward Input Voltage (OFF)	$V_{F(OFF)}$	—	0.8	V

Electrical Specifications (DC)

Over recommended operating $T_A = -40^\circ\text{C}$ to 105°C , $V_{CC} = 4.5\text{V}$ to 30V , $I_{F(\text{ON})} = 12\text{ mA}$ to 20 mA , $V_{F(\text{OFF})} = 0\text{V}$ to 0.8V and unless otherwise specified. All typicals are at $T_A = 25^\circ\text{C}$.

Parameter	Sym.	Min.	Typ.	Max.	Units	Conditions	Figure	Note
Logic Low Output Voltage	V_{OL}	—	—	0.3	V	$I_{OL} = 3.5\text{ mA}$	1, 3	
		—	—	0.5	V	$I_{OL} = 6.5\text{ mA}$		
Logic High Output Voltage	V_{OH}	$V_{CC}-0.3$	$V_{CC}-0.04$	—	V	$I_{OH} = -3.5\text{ mA}$	2, 3, 8	
		$V_{CC}-0.5$	$V_{CC}-1.07$	—	V	$I_{OH} = -6.5\text{ mA}$		
Logic Low Supply Current	I_{CCL}	—	1.5	3.0	mA	$V_{CC} = 5.5\text{V}$, $V_F = 0\text{V}$, $I_O = 0\text{ mA}$		
		—	1.7	3.0	mA	$V_{CC} = 30\text{V}$, $V_F = 0\text{V}$, $I_O = 0\text{ mA}$		
Logic High Supply Current	I_{CCH}	—	1.5	3.0	mA	$V_{CC} = 5.5\text{V}$, $I_F = 12\text{ mA}$, $I_O = 0\text{ mA}$		
		—	1.7	3.0	mA	$V_{CC} = 30\text{V}$, $I_F = 12\text{ mA}$, $I_O = 0\text{ mA}$		
Threshold Input Current Low to High	I_{FLH}	—	4.0	8.7	mA			
Threshold Input Voltage High to Low	V_{FHL}	0.8	—	—	V	$I_F = 12\text{ mA}$		
Logic Low Output Current	I_{OL}	125	200	—	mA	$V_{CC} = 5.5\text{V}$, $V_F = 0\text{V}$, $V_O = 5.5\text{V}$		a
		125	200	—	mA	$V_{CC} = 30\text{V}$, $V_F = 0\text{V}$, $V_O = 30\text{V}$		
Logic High Output Current	I_{OH}	—	-200	-125	mA	$V_{CC} = 5.5\text{V}$, $I_F = 12\text{ mA}$, $V_O = 0\text{V}$		a
		—	-200	-125	mA	$V_{CC} = 30\text{V}$, $I_F = 12\text{ mA}$, $V_O = 0\text{V}$		
Input Forward Voltage	V_F	1.3	1.5	1.7	V	$T_A = 25^\circ\text{C}$, $I_F = 12\text{ mA}$	4	
		—	—	1.85	V	$I_F = 12\text{ mA}$		
Input Reversed Breakdown Voltage	BV_R	5	—	—	V	$I_R = 10\text{ }\mu\text{A}$		
Temperature Coefficient of Forward Voltage	$\frac{\Delta V_F}{\Delta T_A}$	—	1.7	—	mV/°C	$I_F = 12\text{ mA}$		
Input Capacitance	C_{IN}	—	60	—	pF	$f = 1\text{ MHz}$, $V_F = 0$		b

a. Output is sourced at $-125\text{ mA}/125\text{ mA}$ with a maximum pulse width of $500\text{ }\mu\text{s}$.

b. Input capacitance is measured between pin 2 and pin 3.

Switching Specifications

Over recommended operating $T_A = -40^\circ\text{C}$ to 105°C , $V_{CC} = 4.5\text{V}$ to 30V , $I_{F(\text{ON})} = 12\text{ mA}$ to 20 mA , $V_{F(\text{OFF})} = 0\text{V}$ to 0.8V and unless otherwise specified. All typicals are at $T_A = 25^\circ\text{C}$.

Parameter	Symbol	Min.	Typ.	Max.	Units	Test Conditions	Figure	Note
Propagation Delay Time to Logic Low at Output	t_{PHL}	—	95	150	ns	$C_L = 100\text{ pF}$, $V_F = 0\text{V}$ $I_{F(\text{ON})} = 12\text{ mA} \rightarrow V_F = 0$	6, 7, 9	a
		—	—	150	ns	Loaded as per Figure 5	5	b
Propagation Delay Time to Logic High at Output	t_{PLH}	—	75	120	ns	$C_L = 100\text{ pF}$, $V_F = 0\text{V} \rightarrow I_{F(\text{ON})} = 12\text{ mA}$	6, 7, 9	a
		—	—	120	ns	Loaded as per Figure 5	5	b
Pulse Width Distortion	$ t_{\text{PHL}} - t_{\text{PLH}} = \text{PWD}$	—	—	90	ns	$C_L = 100\text{ pF}$		c
		—	—	90		Loaded as per Figure 5		
Propagation Delay Difference Between Any Two Parts	PDD	-130	—	130	ns	$C_L = 100\text{ pF}$		d
		-130	—	130	ns	Loaded as per Figure 5		
Output Rise Time (10% to 90%)	t_r	—	6	—	ns		5, 6	
Output Fall time (90% to 10%)	t_f	—	6	—	ns		5, 6	
Common Mode Transient Immunity at Logic High Output	$ CM_H $	50	—	—	kV/ μs	$T_A = 25^\circ\text{C}$ $V_{CM} = 1500\text{V}$, $I_F = 12\text{ mA}$, $V_{CC} = 5\text{V}$	10	e
Common Mode Transient Immunity at Logic Low Output	$ CM_L $	50	—	—	kV/ μs	$T_A = 25^\circ\text{C}$, $V_{CM} = 1500\text{V}$, $V_F = 0\text{V}$, $V_{CC} = 5\text{V}$	10	e

- The t_{PLH} propagation delay is measured from the 50% point on the leading edge of the input pulse to the 50% point on the leading edge of the output pulse. The t_{PHL} propagation delay is measured from the 50% point on the trailing edge of the input pulse to the 50% point on the trailing edge of the output pulse.
- The t_{PLH} propagation delay is measured from the 50% point on the leading edge of the input pulse to the 1.3V point on the leading edge of the output pulse. The t_{PHL} propagation delay is measured from the 50% point on the trailing edge of the input pulse to the 1.3V point on the trailing edge of the output pulse.
- Pulse Width Distortion (PWD) is defined as $|t_{\text{PHL}} - t_{\text{PLH}}|$ for any given device.
- The difference of t_{PLH} and t_{PHL} between any two devices under the same test condition.
- CM_H is the maximum slew rate of the common mode voltage that can be sustained with the output voltage in the logic high state, $V_O > 2.0\text{V}$. CM_L is the maximum slew rate of the common mode voltage that can be sustained with the output voltage in the logic low state, $V_O < 0.8\text{V}$.
Note: Split resistors (R1 / R2) must be used at both ends of the LED.

Package Characteristics

All Typical at $T_A = 25\text{ C}$.

Parameter	Symbol	Min.	Typ.	Max.	Units	Test Conditions	Note	Note
Input-Output Momentary Withstand Voltage ^a	V_{ISO}	5000	—	—	V_{rms}	$RH \leq 50\%$, $t = 1\text{ min.}$, $T_A = 25^\circ\text{C}$		a, b, c
Input-Output Resistance	R_{I-O}	—	10^{14}	—	Ω	$V_{I-O} = 500\text{ Vdc}$		b
Input-Output Capacitance	C_{I-O}	—	0.6	—	pF	$f = 1\text{ MHz}$, $T_A = 25^\circ\text{C}$		b

- The Input-Output Momentary Withstand Voltage is a dielectric voltage rating that should not be interpreted as an input-output continuous voltage rating. For the continuous voltage rating, refer to the IEC/EN/DIN EN 60747-5-5 Insulation Characteristics Table (if applicable).
- The device considered a two-terminal device: pins 1, 2, 3, and 4 are shorted together and pins 5, 6, 7, and 8 are shorted together.
- In accordance with UL 1577, each optocoupler is proof tested by applying an insulation test voltage. 4500 V_{RMS} for one second (leakage detection current limit, $I_{I-O} \leq 5\ \mu\text{A}$). This test is performed before the 100% production test for partial discharge (Method b) shown in the IEC/EN/DIN EN 60747-5-5 Insulation Characteristics Table, if applicable.

UVLO

Figure 11 and Figure 12 show typical output waveforms during power-up and power-down processes.

Figure 1: Typical Logic Low Output Voltage vs. Temperature

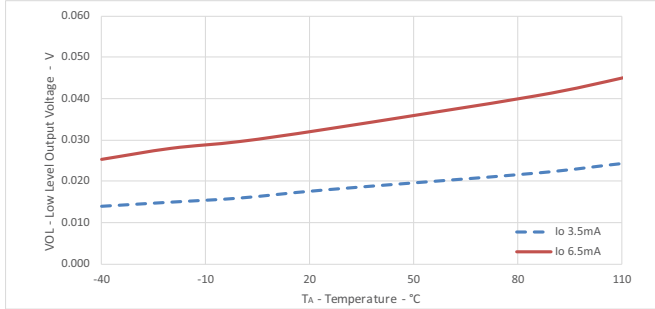


Figure 2: Typical Logic High Output Voltage vs. Temperature

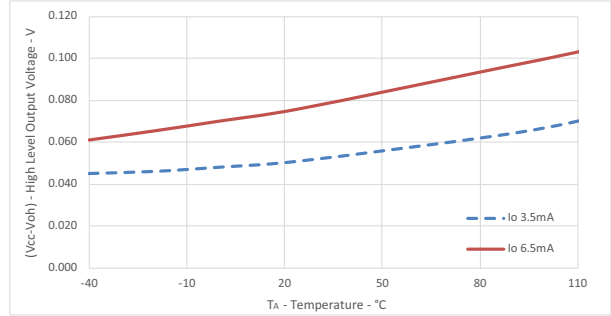


Figure 3: Typical Output Voltage vs. Forward Input Current

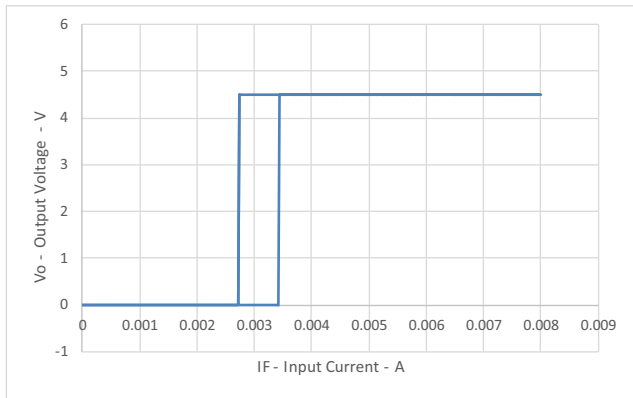


Figure 4: Typical Input Diode Forward Characteristic

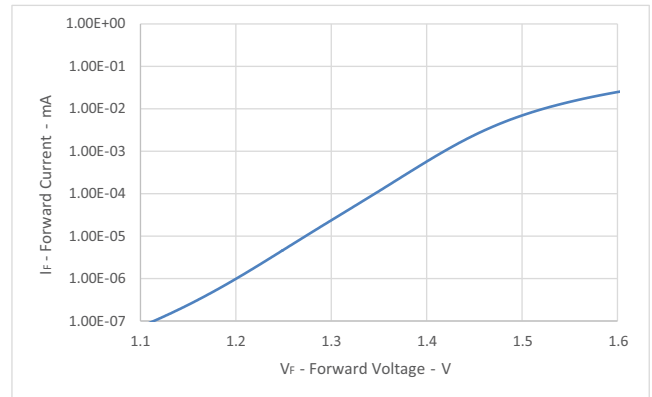


Figure 5: Test Circuit for t_{PLH} , t_{PHL} , t_r , and t_f

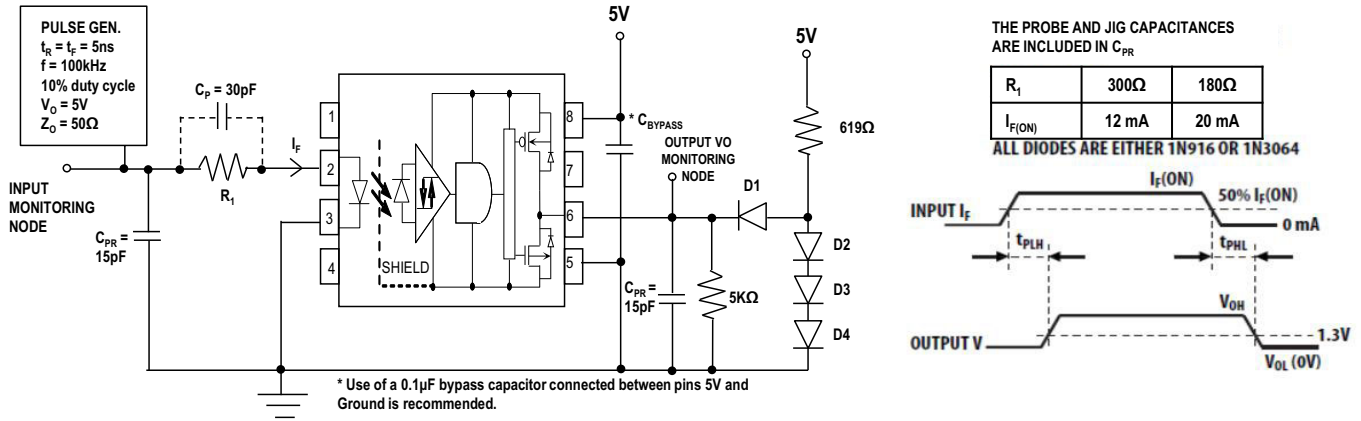


Figure 6: Test Circuit for t_{PLH} , t_{PHL} , t_r , and t_f

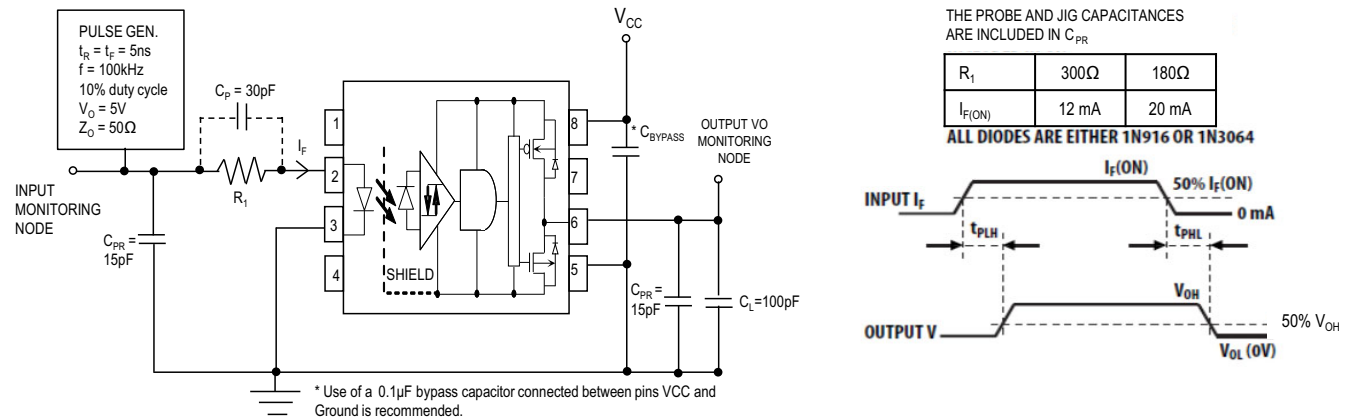


Figure 7: Typical Propagation Delay vs. Temperature

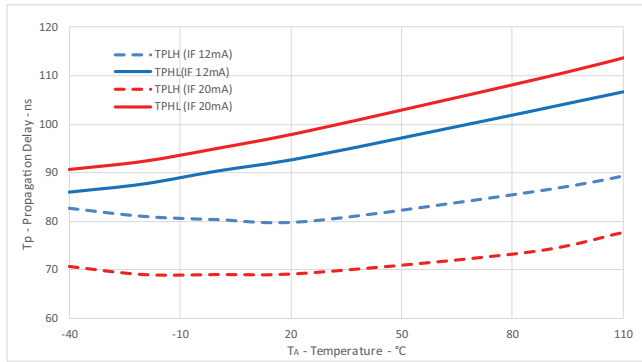


Figure 8: Typical Logic High Output Voltage vs. Supply Voltage

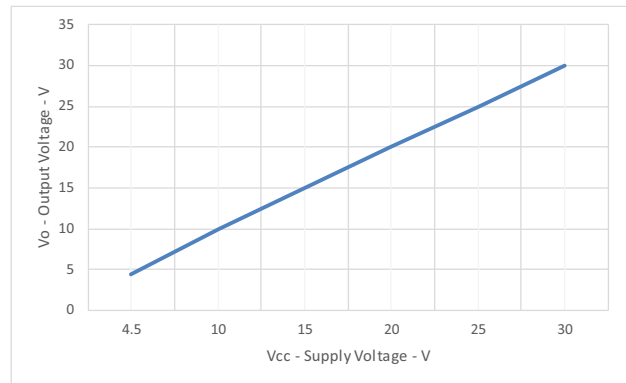


Figure 9: Typical Propagation Delay vs. Supply Voltage

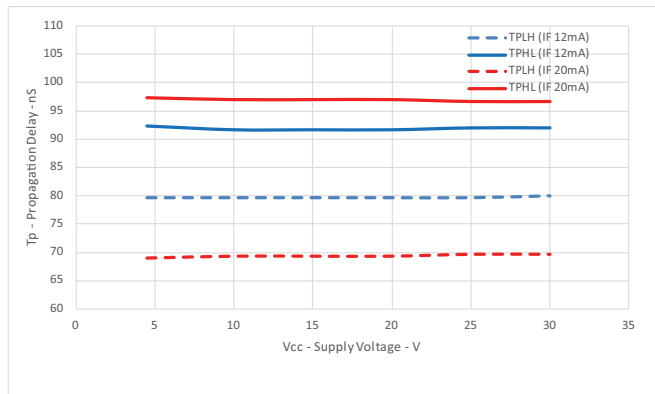


Figure 10: Test Circuit for Common Mode Transient Immunity and Typical Waveforms

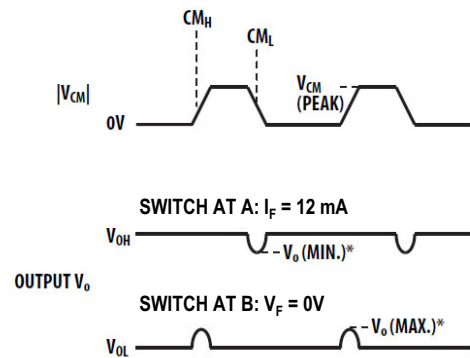
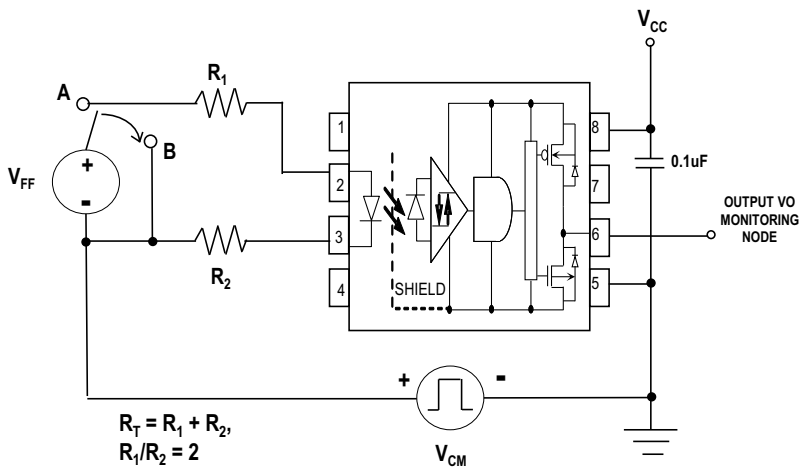


Figure 11: Vcc Ramp When LED ON

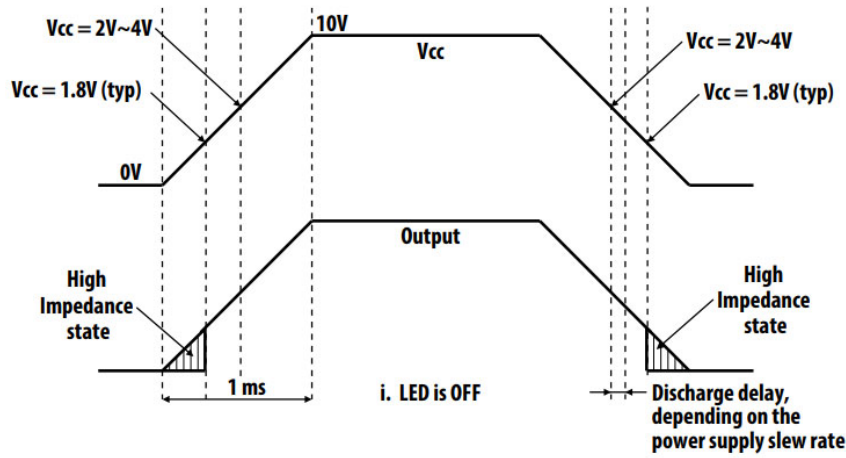
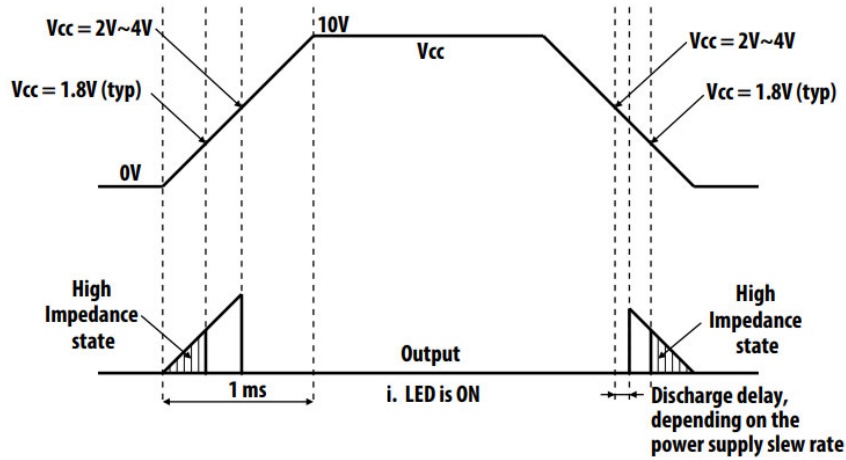


Figure 12: VCC Ramp When LED OFF



Broadcom, the pulse logo, Connecting everything, Avago Technologies, Avago, and the A logo are among the trademarks of Broadcom and/or its affiliates in the United States, certain other countries, and/or the EU.

Copyright © 2019 Broadcom. All Rights Reserved.

The term “Broadcom” refers to Broadcom Inc. and/or its subsidiaries. For more information, please visit www.broadcom.com.

Broadcom reserves the right to make changes without further notice to any products or data herein to improve reliability, function, or design. Information furnished by Broadcom is believed to be accurate and reliable. However, Broadcom does not assume any liability arising out of the application or use of this information, nor the application or use of any product or circuit described herein, neither does it convey any license under its patent rights nor the rights of others.



Mouser Electronics

Authorized Distributor

Click to View Pricing, Inventory, Delivery & Lifecycle Information:

[Broadcom Limited:](#)

[ACNU-4804-000E](#)