

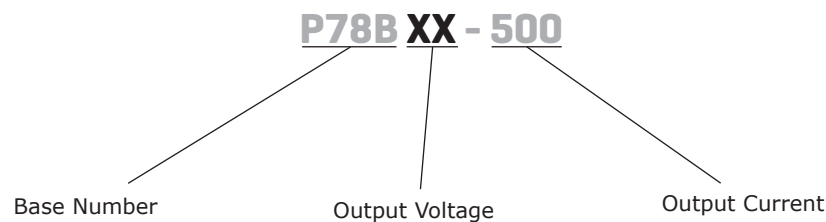
SERIES: P78B-500 | DESCRIPTION: DC-DC CONVERTER
FEATURES

- 0.5 A current output
- pin compatible with LM78XX linear regulators
- -40 ~ 85°C operating temperature
- input voltage range up to 4.75 ~ 36 Vdc
- continuous short circuit protection
- compact SIP3 package
- low ripple and noise
- designed to meet EN/IEC 62368-1


MODEL

MODEL	input voltage		output voltage	output current	output power	ripple & noise ¹	efficiency ²
	typ (Vdc)	range (Vdc)	(Vdc)	max (mA)	typ (W)	max (mVp-p)	typ (%)
P7802B-500	24	4.75~36	1.8	500	0.9	50	90.0
P7803B-500	24	4.75~36	3.3	500	1.65	50	94.5
P7805B-500	24	6.5~36	5.0	500	2.5	50	95.5
P7806B-500	24	8~36	6.5	500	3.25	60	96.5
P7809B-500	24	11~36	9.0	500	4.5	70	96.5
P7812B-500	24	15~36	12.0	500	6.0	70	96.5
P7815B-500	24	18~36	15.0	500	7.5	70	96.5

Notes: 1. At the lowest input voltage, the loading is less 15% (75mA), the R&N will be 150mVp-p (max.).
 2. At min Vin, full load at 25°C, and ±2% tolerance
 3. All specifications measured at: Ta=25°C, nominal input voltage, rated output load, and after warm up unless otherwise specified.

PART NUMBER KEY


INPUT

parameter	conditions/description	min	typ	max	units
operating input voltage				36	Vdc
no load input current			2	7	mA

OUTPUT

parameter	conditions/description	min	typ	max	units
maximum capacitive load ⁴	1.8, 3.3, 5, 6.5, 9 Vdc output models			470	μF
	12 Vdc output model			330	μF
	15 Vdc output model			270	μF
line regulation	measured from low to high line, full load		0.2	0.4	%
load regulation	measured from 10~100% load, typical Vin		0.8 0.4	1 0.6	% %
voltage accuracy			±3		%
switching frequency	at nominal Vin		410		kHz

Note: 4. The capacitive load is test by minimum input and constant resistive load.

PROTECTIONS

parameter	conditions/description	min	typ	max	units
short circuit protection	continuous, auto recovery				

SAFETY AND COMPLIANCE

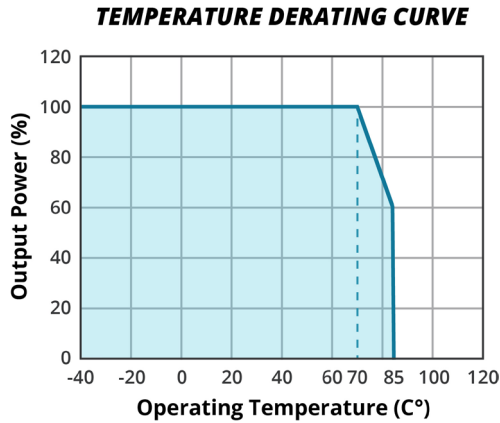
parameter	conditions/description	min	typ	max	units
safety approvals	designed to meet 62368-1: EN, IEC				
EMI	EN 55032 Class A/Class B				
ESD	EN 61000-4-2 Air ±8 kV; Contact ±6 kV, perf. Criteria A				
fast transient ⁵	EN 61000-4-4, ±2 kV, perf. Criteria A				
surge ⁵	EN 61000-4-5, ±2 kV, perf. Criteria A				
MTBF	as per MIL-HDBK-217F, full load, 25 °C	3,300,000			hours
RoHS	yes				

Note: 5. External circuit for testing (1500μF Electrolytic capacitor and TVS).

ENVIRONMENTAL

parameter	conditions/description	min	typ	max	units
operating temperature	see derating curve	-40		85	°C
storage temperature		-55		125	°C
operating humidity	non-condensing			95	%
temperature coefficient			0.02		%/ °C
maximum case temperature				100	°C
vibration	MIL-STD-202G				

DERATING CURVE



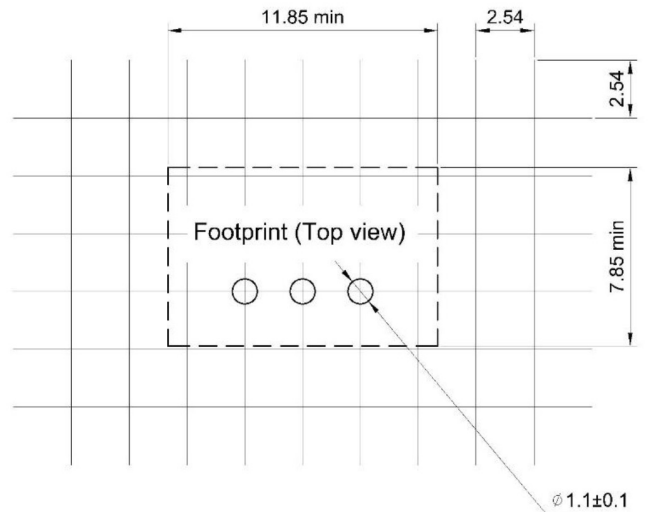
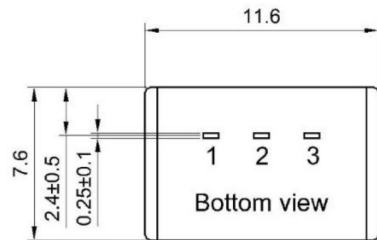
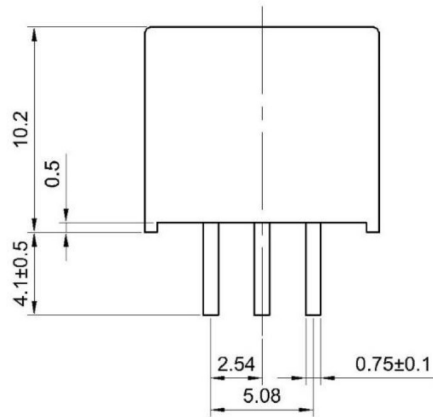
MECHANICAL

parameter	conditions/description	min	typ	max	units
dimensions	11.6 x 7.6 x 10.2				mm
case material	UL94 V-0 plastic				
weight			1.85		g
cooling method	natural convection				

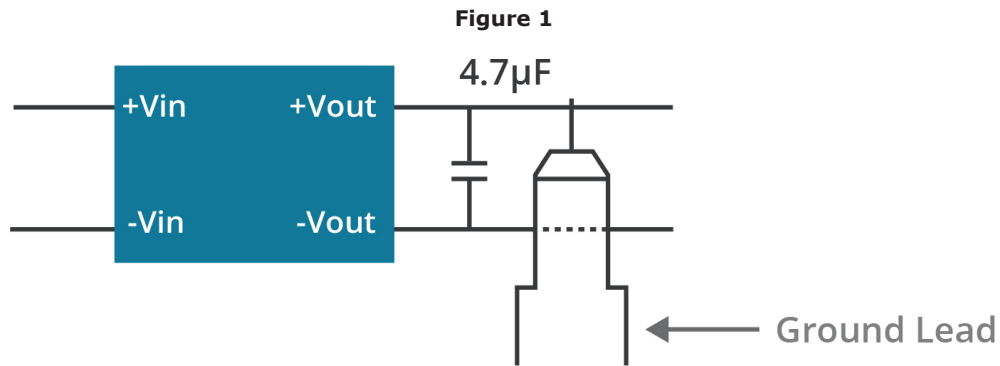
MECHANICAL DRAWING

units: mm
tolerance: ±0.25 mm

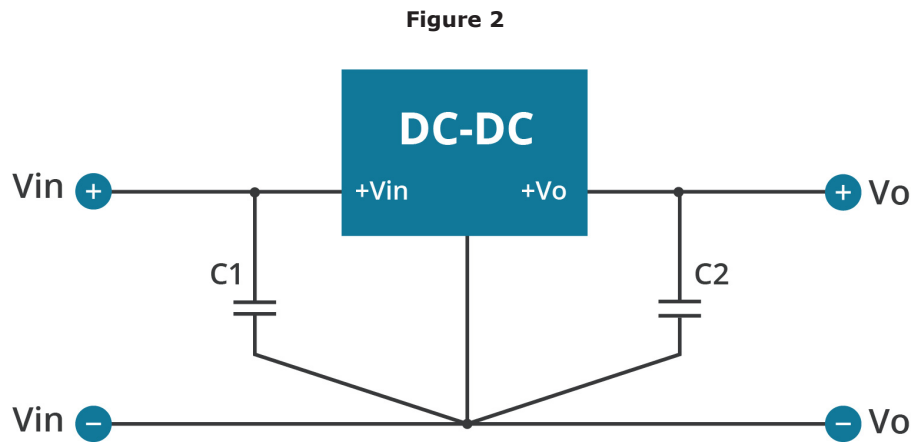
PIN CONNECTIONS	
PIN	Function
1	+Vin
2	GND
3	+Vout



RIPPLE AND NOISE MEASUREMENT METHOD



APPLICATION CIRCUIT



EMI FILTERING

Figure 3

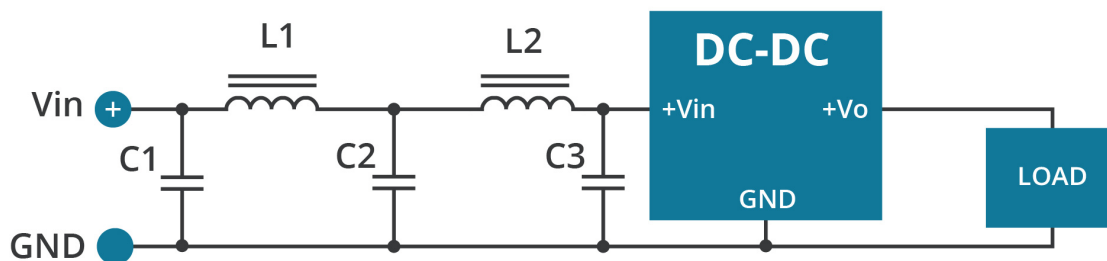


Table 1

COMPONENTS					
CLASS	C1	L1	C2	L2	C3
Class A	1206 / 4.7 μ F / 50V / MLCC	10 μ H	1206 / 4.7 μ F / 50V / MLCC	-	-
Class B	1210 / 10 μ F / 50V / MLCC	22 μ H	1210 / 10 μ F / 50V / MLCC	200 μ H (common choke)	1210 / 10 μ F / 50V / MLCC

EFT AND SURGE EXTERNAL CAPACITOR REQUIRED

Figure 4

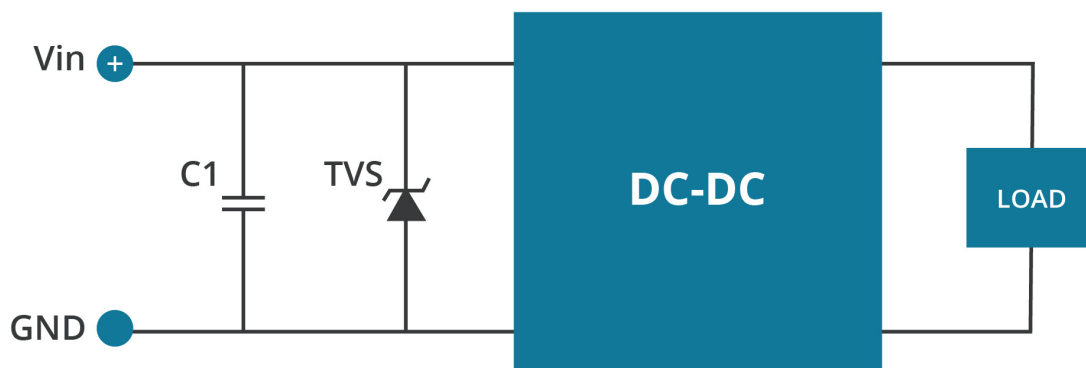


Table 2

C1	TVS
1500 / 50V	5.0SMLJ40A

REVISION HISTORY

rev.	description	date
1.0	initial release	09/09/2024

The revision history provided is for informational purposes only and is believed to be accurate.



CUI INC
a bel group

Headquarters

15575 SW Sequoia Pkwy #100 Fax 503.612.2383
Portland, OR 97224 cui.com

800.275.4899

techsupport@cui.com

CUI offers a two (2) year limited warranty. Complete warranty information is listed on our website.

CUI reserves the right to make changes to the product at any time without notice. Information provided by CUI is believed to be accurate and reliable. However, no responsibility is assumed by CUI for its use, nor for any infringements of patents or other rights of third parties which may result from its use.

CUI products are not authorized or warranted for use as critical components in equipment that requires an extremely high level of reliability. A critical component is any component of a life support device or system whose failure to perform can be reasonably expected to cause the failure of the life support device or system, or to affect its safety or effectiveness.

Mouser Electronics

Authorized Distributor

Click to View Pricing, Inventory, Delivery & Lifecycle Information:

[CUI Inc.:](#)

[P7805B-500](#) [P7802B-500](#) [P7815B-500](#) [P7812B-500](#) [P7803B-500](#) [P7806B-500](#) [P7809B-500](#)