

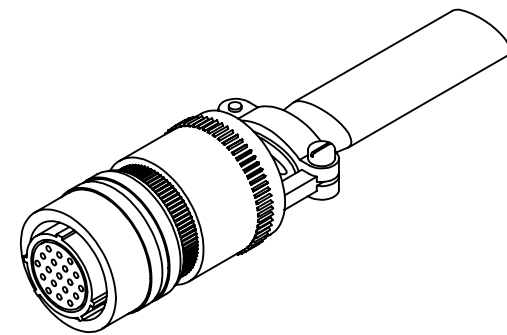
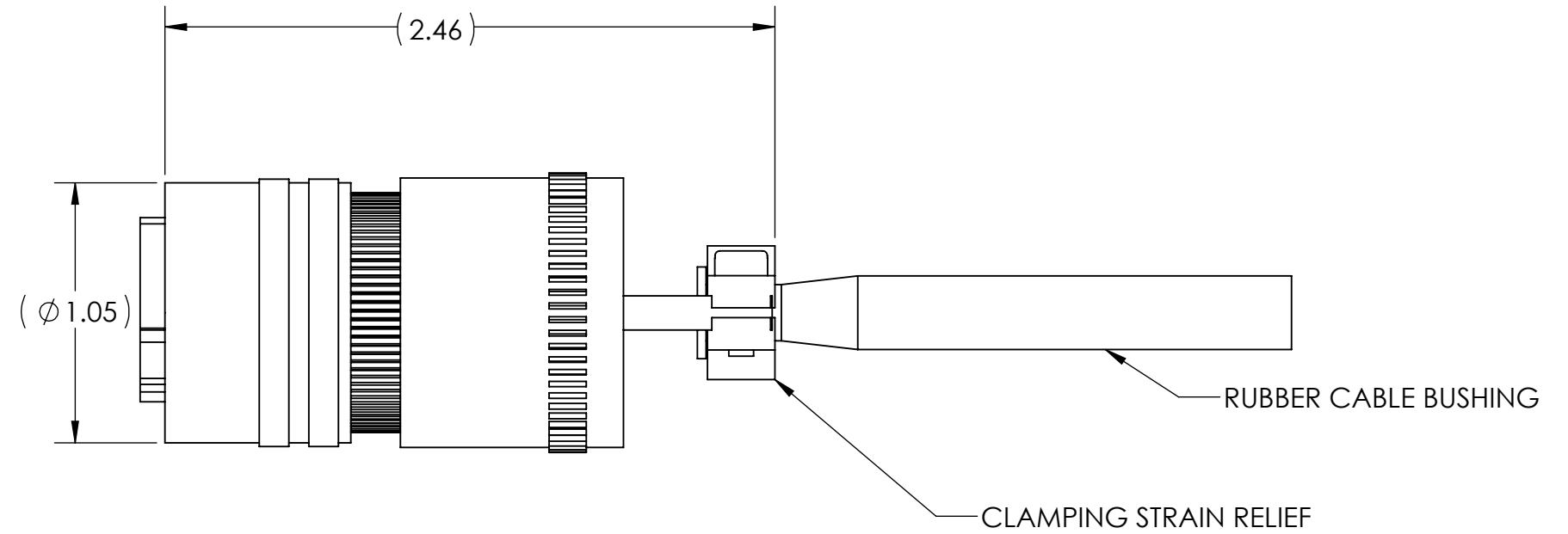
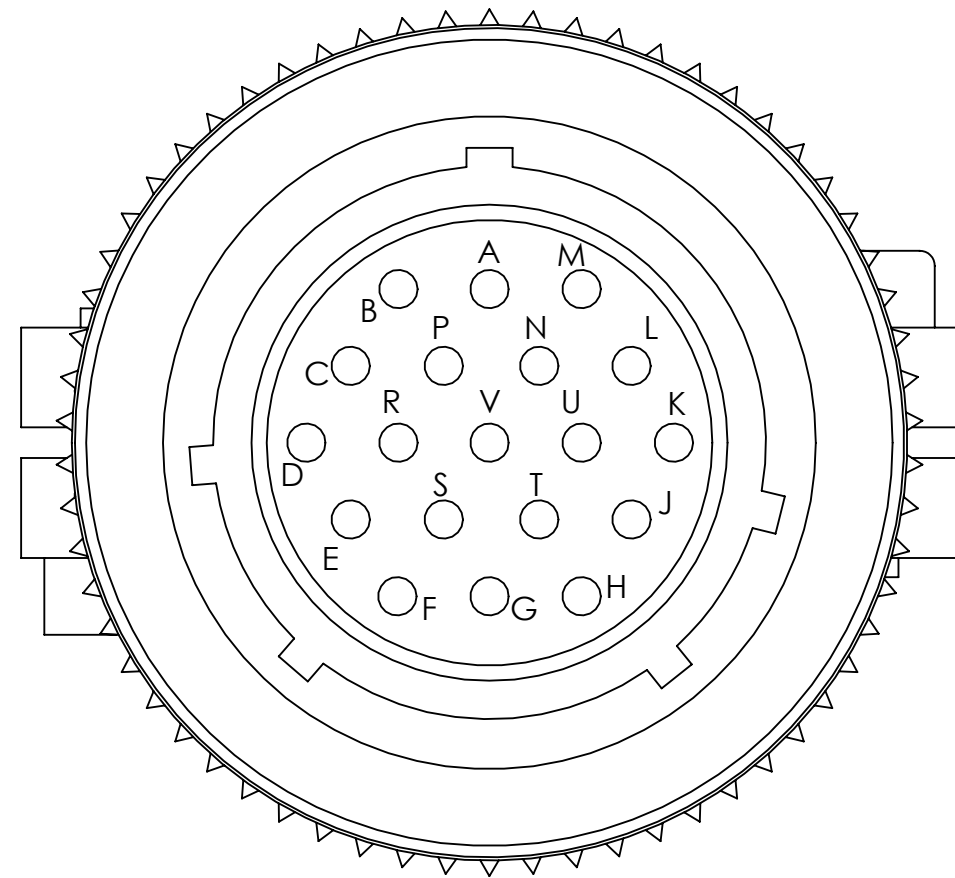
4

3

2


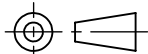
1

ZONE	REV.	REVISION DESCRIPTION	ECN NO.	DATE
	.	.	.	.



NOTES (UNLESS OTHERWISE INDICATED):

1. MS3116J14-19S, MATES WITH MS3116J14-19P RECEPTACLE
2. INCLUDES MS3420-6 BUSHING OR EQUIVALENT
3. PARTS MAY APPEAR DIFFERENT THAN SHOWN HERE DEPENDING ON SUPPLIER

UNCONTROLLED COPY		 BEI SENSORS 1461 LAWRENCE DRIVE THOUSAND OAKS, CA 93120		
FIRST ISSUE DATE: 05/13/19	SENSATA TECHNOLOGIES PROPRIETARY AND CONFIDENTIAL. NEITHER THIS PRINT NOR THE INFORMATION CONTAINED HEREON IS TO BE USED AGAINST THE INTERESTS OF SENSATA TECHNOLOGIES OR AGAINST THE INTERESTS OF ANY OF ITS AFFILIATED COMPANIES OR WHOLLY OWNED SUBSIDIARIES.	TITLE		
DRAWN: DRC		MS3116J14-19S MATING CONNECTOR		
APPROVED: MFB				
DATE: 05/13/19	INTERPRET DIMENSIONING AND TOLERANCING PER ASME Y14.5-2009. UNLESS OTHERWISE SPECIFIED DIMENSIONS ARE IN INCHES [MILLIMETERS] AND ARE INTENDED AS NOMINAL SEE PRODUCT SPECIFICATIONS FOR MORE DETAILS.	SIZE	DWG NO.	
ECN:	DO NOT SCALE DRAWING	THIRD ANGLE PROJECTION		B 09918-005
DATE:				
MATERIAL:				REV.
				.
				SOLIDWORKS
				SHEET 1 OF 1

4

3

2

1

DEVICE:

PROJECT:

# Mouser Electronics

Authorized Distributor

Click to View Pricing, Inventory, Delivery & Lifecycle Information:

[Sensata:](#)

[MS3116J14-19S](#)