

SSH66XU series

Compact Switch for internal or external mounting via 1/2" NPT thread.

- **Internal or External mount**
- **Stainless steel SUS304/316**
- **Operating temperature to 120°C**
- **N/O or N/C switching action**



Technical Specification

Mounting style	Internal/External	Cable length - standard	100cm
Mounting thread	1/2" NPT	Cable size	17/0.10 - AWG22
Float & Stem material	316/304 grade SS	Cable conductor material	Tinned copper
Maximum Temperature	120°C	Cable sheath material	XLPE
Maximum pressure	10 bar	Cable temperature rating	125°C
Float SG	0.7	Sealing gasket	Not applicable
Minimum fluid SG	0.75	Tightening torque for fixing nut	2.0kg/cm

Electrical Specification

Contact Form		N/O (N/C)
Switching Power Max	VA	50
Switching Voltage AC Max	V	300
Switching Voltage DC Max	V	300
Switching Current Max	A	0.5
Breakdown Voltage Min	DC	600
All ratings are for resistive load only.		

The SSH66XU series are horizontal float switches, which offer the choice of internal or external fixing 1/2" NPT threads.

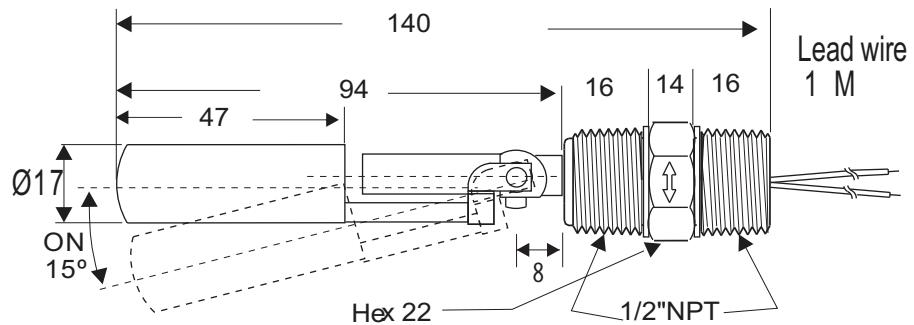
The float is manufactured from High Grade 316 stainless steel and the stem is manufactured from 304 stainless steel.

The switch action may be reversed by mounting the device with the float able to move upwards away from the body, instead of the more normal downwards direction.

Standard Parts	Material	Max Power	Leadouts	Gasket
SSH66XU12N100	316/304 SS	50VA	100cm XLPE	N/A

Custom versions can be made for particular applications. Please contact Cynergy3 with your requirements.

Mechanical Dimensions



Cynergy3 Components Ltd.
7 Cobham Road
Ferndown Industrial Estate
Wimborne, Dorset BH21 7PE
Telephone +44 (0) 1202 897969

Email: sales@cynergy3.com

ISO9001 CERTIFIED

www.cynergy3.com

Mouser Electronics

Authorized Distributor

Click to View Pricing, Inventory, Delivery & Lifecycle Information:

[Sensata:](#)

[SSH66XU12N100](#)