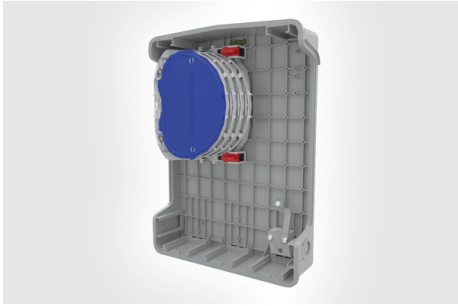


Specification Sheet

Part Number: MDUS3-X1SP



UV stable enclosure with IP54 (NEMA 3S) sealing and IK08 impact rating for long-term outdoor performance.

Multiple input/output points to run to multiple locations from one box.

Supports cabled, blown, pushed and pulled fiber deployments to accommodate any construction style.

S3 Splice Enclosure, 4x SE Splice Trays, Wall Mounted, Gray, 1/pkg

Article Number	857-01481
Type	MDU-S3-XWX
Color	Gray RAL 7035 (7035)
Quantity Per	EA

Product Description

The S3 enclosure is designed for wall-mounted distribution, configured with the HellermannTyton 250µm IR Management System. The management system accommodates four splice trays giving a maximum of 48 heat shrink splices and 3 PLC splitters. The position of the fiber management system allows easy access for the routing of fiber to the trays. Fiber slot retaining blocks guide the fiber elements on to the IR system; the foam pad on the retainer is partially cut through to accommodate a range of fiber counts. Designed with seven input/output ports; three across the bottom, two on top and one on each side; each port will accommodate a 20 mm cable gland.

Short Description	S3 Splice Enclosure, 4x SE Splice Trays, Wall Mounted, Gray, 1/pkg
Global Part Name	MDU-S3-XWX
Technical Description	<p>The S3 enclosure is configured with the HellermannTyton 250µm IR Management System. The management system accommodates 4 SE-IR trays giving a maximum of 48 3A fibre splices and 3 PLC splitters. The position of the fibre management system allows for easy access for the routing of fibre on to the trays. The trays and fibre optic routing modules are white which makes it easy to see the colour of the fibre elements as they are routed through the positive fibre management system. Fibre slot retaining blocks guide the fibre elements on to the IR system; the foam pad on the retainer is partially cut through to accommodate a range of fibre counts. All IR system cover plates are coloured blue identifying them as removable parts allowing access to the fibre, the fibre retaining block and tray retaining clips are coloured red to aid in identification if they are dropped. The enclosure is 340 x 247 x 76mm (H x W x D) and manufactured in light grey (RAL 7035), UV stable ABS (Acrylonitrile Butadiene Styrene) and has an IP54, IK08 and V0 rating. Designed with 7 input/output ports, 3 across the bottom, 2 on the top and 1 on each side, each port will accommodate a 20mm cable gland. A 100 x 25mm inset position on the front cover allows for a customer logo to be moulded in to the enclosure.</p>
Contents of pkg/kit	S3 Enclosure 250µm IR Fiber Management System 4 SE-IR Trays with 3A Splice Bridges 3 x Entry/Exit Port Blanks Cable Anchor In-built spirit level Fibre Picker Wall Mounting Kit Red and Green Polyspiral Tubing(2M)
Port Count	7
Variant	Indoor/Outdoor FTTx Enclosures
Width W (Imperial)	9.72
Width W (Metric)	247

Height H (Imperial) 13.39

Height H (Metric) 340

Depth D (Imperial) 2.99

Depth D (Metric) 76

Material Acrylonitrile Butadiene Styrene (ABS)

Material Shortcut ABS

Package Quantity (Imperial) 1

Package Quantity (Metric) 1

Customs Number 9030400000

Mouser Electronics

Authorized Distributor

Click to View Pricing, Inventory, Delivery & Lifecycle Information:

[HellermannTyton:](#)

[MDUS3-X1SP](#)