

Description

Single pole press-to-reset thermal circuit breaker with extremely fast overload switching performance (R-type TO CBE to EN 60934). Miniaturised construction minimises PCB real estate required. PCB mounting or integral mounting. Largely temperature-insensitive.

Typical applications

Motors, transformers, solenoids, PCBs, hand-held machines, appliances, instrumentation.

Ordering information

Type No.

1410 single pole circuit breaker

Configuration

L integral mounting or PCB mounting

Mounting

1 footprint 16.3x4.6

4 footprint 17.5x4.6

Number of poles

1 1-pole, thermally protected

Hardware

0 without

Terminal design

L1 solder pins 1.8x0.8 silver-plated (-L1 only)

P3 blade terminals DIN 46244-A4.8-0.5 silver-plated (only -L4)

Characteristic curve

F1 fast acting

Actuator, Type and Colour

S01 reset button, black (1410-L1)

E04 round reset slide, red (1410-L4)

Current ratings

0.63...10 A

1410 - L 1 1 0 - L1 F1 - S01 - 0.8 A ordering example

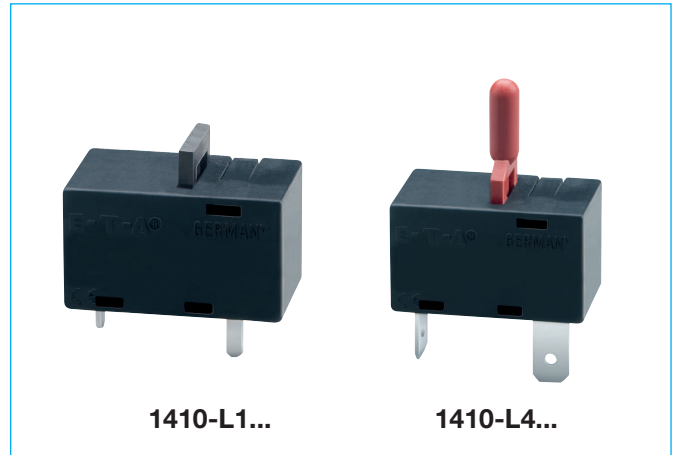
*mounting hardware bulk shipped

Preferred types

Preferred types	Standard current ratings (A)											
	0.63	0.8	1	1.5	2	2.5	3.15	4	5	6.3	8	10
1410-L110-L1F1-S01-	x	x	x	x	x	x	x	x	x	x	x	x

Standard current ratings and typical internal resistance values

Current rating (A)	Internal resistance (Ω)	Current rating (A)	Internal resistance (Ω)
0.63	1.8	3.15	< 0.12
0.8	1.7	4	< 0.1
1	1.3	5	< 0.1
1.5	< 1	6.3	< 0.1
1.8	< 1	8	< 0.1
2	< 1	10	< 0.1
2.5	< 0.15		



Technical data

For further details please see chapter: Technical Information

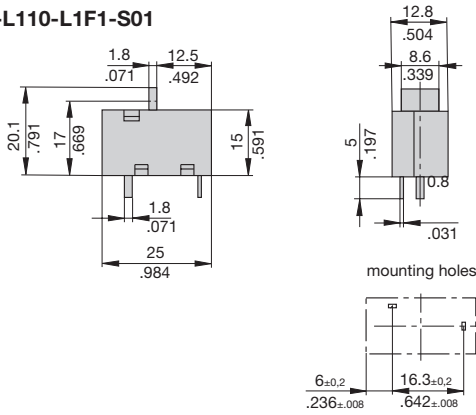
Voltage rating	AC 240 V; DC 28 V (UL: AC 250 V; DC 50 V)	
Current rating range 1-2	0.63...10 A	
Typical life	AC 240 V: 0.63...2.25 A 500 break operations at 2 x I _N , inductive 2.5...10 A 500 break operations at 2 x I _N , resistive DC 50 V: 0.63...2.25 A 500 break operations at 2 x I _N , inductive DC 28 V: 2.5...10 A 500 break operations at 2 x I _N , inductive	
Ambient temperature	-20...+70 °C (-4...+158 °F)	
Insulation co-ordination (IEC 60664 and 60664 A)	rated impulse withstand voltage 2.5 kV	pollution degree 2
	reinforced insulation in operating area	
Dielectric strength (IEC 60664 and 60664A) operating area	test voltage AC 1,500 V	
Insulation resistance	> 100 MΩ (DC 500 V)	
Interrupting capacity I _{cn} (o-o-o)	0.63...2 A 12 x I _N 2.5...8 A 8 x I _N , AC max. 50 A 10 A 6 x I _N , AC 3.15...10 A 10 x I _N , DC	
Interrupting capacity (UL 1077)	0.63...10 A 2,000 A AC 250 V 0.63...10 A 200 A DC 50 V	
Degree of protection (IEC 60529/DIN 40050)	operating area IP40 terminal area IP00	
Vibration	8 g (57-500 Hz) ± 0.61 mm (10-57 Hz), to IEC 60068-2-6, test Fc, 10 frequency cycles/axis	
Shock	20 g (11 ms) to IEC 60068-2-27, test Ea	
Corrosion	48 hours at 5 % salt mist, to IEC 60068-2-11, test Ka	
Humidity	96 hours at 95 % RH to IEC 60068-2-78, test Cab	
Mass	approx. 5 g	

Approvals

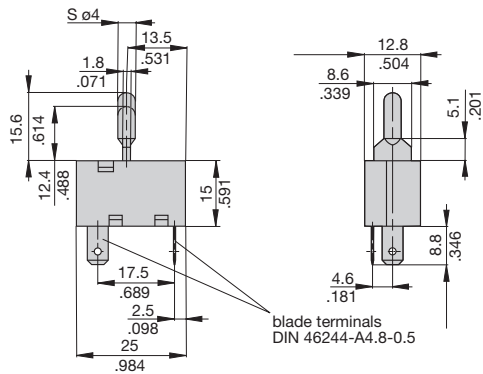
Authority	Voltage ratings	Current ratings
VDE	AC 240 V DC 50 V DC 28 V	0.63...10 A 0.63...2 A 2.5...10 A
UL, CSA	AC 250 V; DC 50 V	0.63...10 A

Dimensions

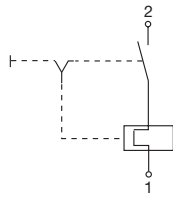
1410-L110-L1F1-S01



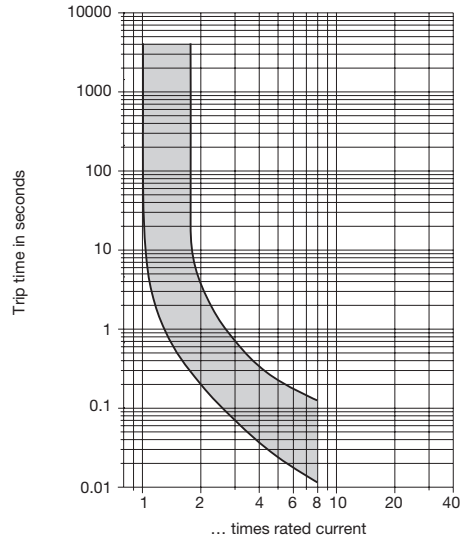
1410-L410-P3F1-E04



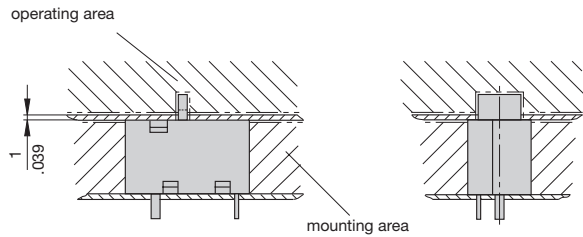
Internal connection diagram



Typical time/current characteristics at +23 °C/+73.4 °F



Installation drawings



This is a metric design and millimeter dimensions take precedence (mm) / inch

All dimensions without tolerances are for reference only. In the interest of improved design, performance and cost effectiveness the right to make changes in these specifications without notice is reserved. Product markings may not be exactly as the ordering codes. Errors and omissions excepted.

Mouser Electronics

Authorized Distributor

Click to View Pricing, Inventory, Delivery & Lifecycle Information:

[E-T-A Circuit Breakers:](#)

[1410-L410-P3F1-E04-2A](#)