

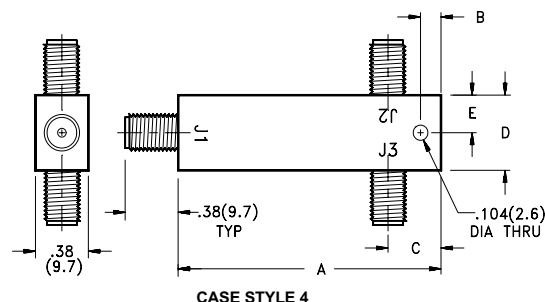
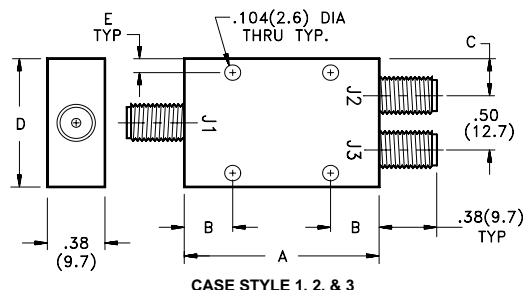
Power Dividers

Two Way Isolated

500 MHz - 18.0 GHz High Performance

- Full Octave, Multi-Octave, and Ultra-Wideband Performance
- Excellent Phase and Amplitude Tracking
- Small Lightweight Rugged Stripline Construction
- Meets Mil-E-5400 and Mil-E16400

Midwest Microwave's series of high performance isolated Power Dividers are small, lightweight, ruggedly constructed stripline units that possess inherently low insertion loss and VSWR with high isolation and excellent phase and amplitude tracking. Units are available in octave, multi-octave, and ultra-wideband frequency bandwidths covering the entire range of 0.5 - 18.0 GHz.



ELECTRICAL SPECIFICATIONS

FREQUENCY RANGE (GHz)	CASE STYLE	MODEL NUMBER	AMPLITUDE BALANCE (dB)	PHASE BALANCE (degrees)	INSERTION LOSS (dB) max	ISOLATION (dB) min	VSWR max	INPUT POWER max (W)	
IN-LINE TEE**			OCTAVE BANDWIDTH TYPES						
1.0-2.0	2	6	PWD-5511-02-SMA-79	0.2	2	0.4	20	1.25	3
2.0-4.0	2	7	PWD-5512-02-SMA-79	0.2	2	0.4	20	1.35	3
4.0-8.0	1	5	PWD-5514-02-SMA-79	0.2	3	0.5	20	1.35	3
8.0-12.4	1	5	PWD-5515-02-SMA-79	0.3	5	0.5	20	1.5	3
12.4-18.0	1	5	PWD-5517-02-SMA-79	0.3	5	0.5	20	1.5	3
			MULTI-OCTAVE BANDWIDTH TYPES						
.5-2.0	2	8	PWD-5520-02-SMA-79	0.2	4	0.5	20	1.25	3
2.0-8.0	2	7	PWD-5522-02-SMA-79	0.3	4	0.5	20	1.35	5
6.0-18.0	1	5	PWD-5526-02-SMA-79	0.3	5	0.5	18	1.50	3
2.0-18.0	3	N/A	PWD-5532-02-SMA-79	0.25	8	1.0	15	1.60	10
2.0-18.0	2	7	PWD-5533-02-SMA-79	0.3	5	0.8	17	1.50	10
0.5-18.0	4	9	PWD-5530-02-SMA-79	0.3	5	0.3+0.1f	10	1.50	10

** Note: for TEE Type Case Style, substitute "T2" for "02" in Model Number

MECHANICAL SPECIFICATIONS - INCHES (mm)

CASE STYLE	A	B	C	D	E	WEIGHT Oz	Gr
1	1.00 (25.4)	0.50 (12.7)	0.250(6.35)	1.00 (25.4)	0.08 (1.91)	1.00	27
2	2.00 (50.8)	0.50 (12.7)	0.250 (6.35)	1.00 (25.4)	0.08 (1.91)	1.60	44
3	2.25 (57.1)	0.50 (12.7)	0.250 (6.35)	1.00 (25.4)	0.08 (1.91)	1.70	46
4	5.50 (139.7)	0.75 (19.1)	0.250 (6.35)	1.00 (25.4)	0.20 (5.08)	3.50	96
5	1.00 (25.4)	0.50 (12.7)	0.22 (5.58)	0.050 (12.7)	0.08 (1.91)	0.60	16
6	2.00 (50.8)	0.50 (12.7)	0.22 (5.58)	0.070 (17.8)	0.08 (1.91)	1.20	33
7	2.00 (50.8)	0.50 (12.7)	0.22 (5.58)	0.050 (12.7)	0.08 (1.91)	1.10	30
8	2.00 (50.8)	0.50 (12.7)	0.22 (5.58)	1.00 (25.4)	0.08 (1.91)	1.40	38
9	5.50 (139.7)	0.75 (19.1)	0.40 (10.16)	0.050 (12.7)	0.08 (1.91)	1.80	49

Note: 1. Specifications assume that all of the outputs are terminated with a load that has a VSWR not greater than 2.0:1.
2. TNC or NType output connectors are available by substituting "TNC" or "NNN" for "SMA" in the Model Number.

Mouser Electronics

Authorized Distributor

Click to View Pricing, Inventory, Delivery & Lifecycle Information:

[Cinch Connectivity Solutions:](#)

[PWD-5533-T2-TNC-79](#)