

.060 (1.50) Shrouded Tip Plug

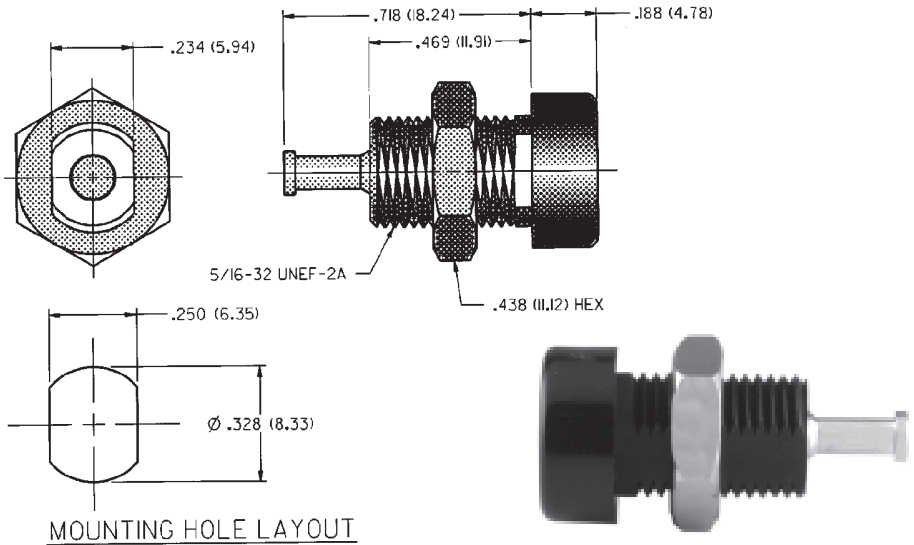
SPECIFICATIONS

Contact and Nut: Brass per QQ-B-626D
Finish: Gold or silver
Body: Nylon 6/6 per ASTM D4066
Hardware: Nickel plated nut (unassembled)
Body Thread Stripping Torque: 6 in. lb. (7 kg.cm.)
Panel Thickness: Up to .343 (8.80)

RATINGS

Current: 7 amps
Breakdown Voltage: 3500 Vrms minimum =
Contact Resistance: 0.010 ohms maximum

INCHES (MILLIMETERS)
 CUSTOMER DRAWINGS AVAILABLE UPON REQUEST



GOLD PLATING	
PART NO.	COLOR
105-1307-002	Yellow

For Standard Tip Jack: .060 (1.50) Diameter

FEATURES:

- Keyed mounting with double flats
- Shrouded
- Nylon UL approved for self extinguishing

MOUNTING HOLE LAYOUT

Mouser Electronics

Authorized Distributor

Click to View Pricing, Inventory, Delivery & Lifecycle Information:

[Cinch Connectivity Solutions:](#)

[105-1307-002](#)