

RED INDICATES ORIGINAL

4

2

1

DATA CONTAINED IN THIS DOCUMENT IS PROPRIETARY TO TROMPETER ELECTRONICS INC. AND SHALL NOT BE DISCLOSED, COPIED OR USED FOR PROCUREMENT OR MANUFACTURE WITHOUT EXPRESS WRITTEN PERMISSION.

REVISIONS			1-0370	SH 1	
REV	ECO NO.	DESCRIPTION	DWN	APPROVED	DATE
V	12266	PICTORIALLY REORIENTED DIELECTRICS ON SH. 2; SEE ECO	JCM	<i>WM</i>	3-2-98

DASH NO.	FIG. NO	CABLES ACCOMMODATED	A DIM	B DIM	C FLATS	D FLATS	ASSEMBLE PER
-1	1,3	RG-58 ESSEX 621-715	.096	1.274	.438	.500	TAI-101
-2		RG-59					
-2A		BELDEN 8279					
-2B		AT&T 730A					
-3		RG-223					
-3A		RG-55					
-4		RG-122 BELDEN 8218					
-5		RG-174 RG-187					
-5A		RG-196					
-5B		HEWLETT-PACKARD 8120-1107					
-6	1	BELDEN 9231	.130	1.336	.625	.688	TAI-120
-6A		RG-8 RG-11					
-6B		RG-9 RG-13					
-6E		RG-5 RG-6					
-21		RG-303					
-22		RG-180					
-31	1,3	GRUMMAN GC875GPI RG-187 DBL SHLD	.096	1.274	.438	.500	TAI-101
-34		BELDEN 8228					
-36		MICRODOT 275-3991 AMPEX 616-569					
-37		RAYCHEM 810					
-41		RG-304 BELDEN 9248					
-44		BRAND-REX B749 GORE C06C032					
-48	1	BELDEN 9880	.130	1.336	.625	.688	TAI-120
-50		BELDEN 89880					
-086	2	RG-405			.250		TAI-130
-141		RG-402					

INCH	MM
.005	0.13
.030	0.76
.094	2.39
.096	2.44
.125	3.18
.130	3.30
.250	6.35
.313	7.95
.438	11.13
.500	12.70
.625	15.88
.688	17.48
.828	21.03
1.274	32.36
1.336	33.93
1.846	46.89

FIG 1
-1 SHOWN

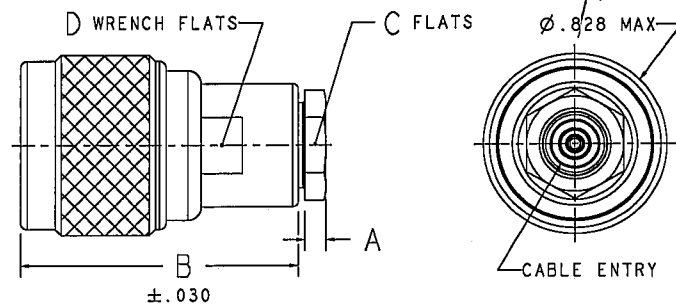
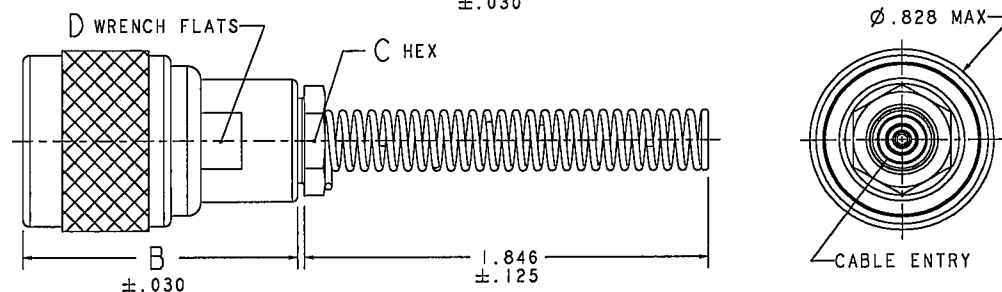
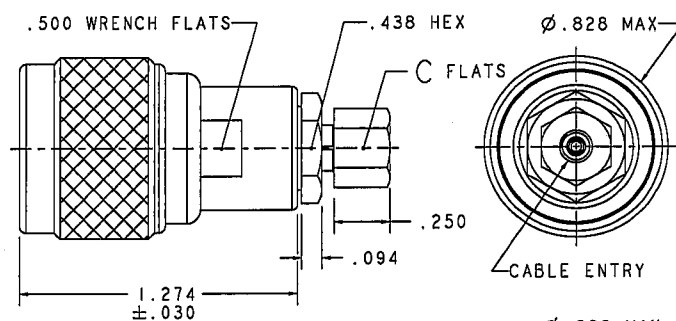


FIG 2
-141 SHOWN

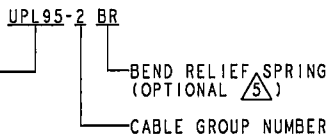


△ IF BEND RELIEF SPRING REQUIRED, (SEE FIG 3) ADD SUFFIX "BR" TO MODEL NO (NOT AVAILABLE WITH CABLE GROUPS -6, -6A, -6B, -6E, -48, -50, -086, -141)

4. TYPE 'N' COAXIAL CABLE PLUG, 50 & 75 OHM VERSIONS

3. EXAMPLE OF COMPLETE MODEL NO.:

PL95 = 50 OHM
 PL95S = 50 OHM W/SAFETY WIRE HOLES
 UPL95 = 75 OHM
 UPL95S = 75 OHM W/SAFETY WIRE HOLES



2. FINISH: TFS-1A (NICKEL)

1. ALL DIM ARE IN INCHES

FIG 3
-1 SHOWN

QTY	DESCRIPTION	PART NUMBER	ITEM	
TOL UNLESS SPECIFIED	TROMPETER ELECTRONICS, INC.®	PL95/UPL95/ PL95S/UPL95S	A	
.25 ± .005 .015 ± .001 ANGLE ±				
DWG JCM 2-24-98	MATERIAL	CODE IDENT	DRAWING NO.	REV
105-1015 CHK WM 3-2-98		14949	1-0370	V
105-0687 ENGR				
NEXT ASSY APPR	SCALE 5/2	DATE 11-25-74	SHEET 1C	

4

3

2

1

Mouser Electronics

Authorized Distributor

Click to View Pricing, Inventory, Delivery & Lifecycle Information:

[Cinch Connectivity Solutions:](#)

[PL95-21](#)