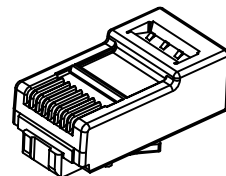
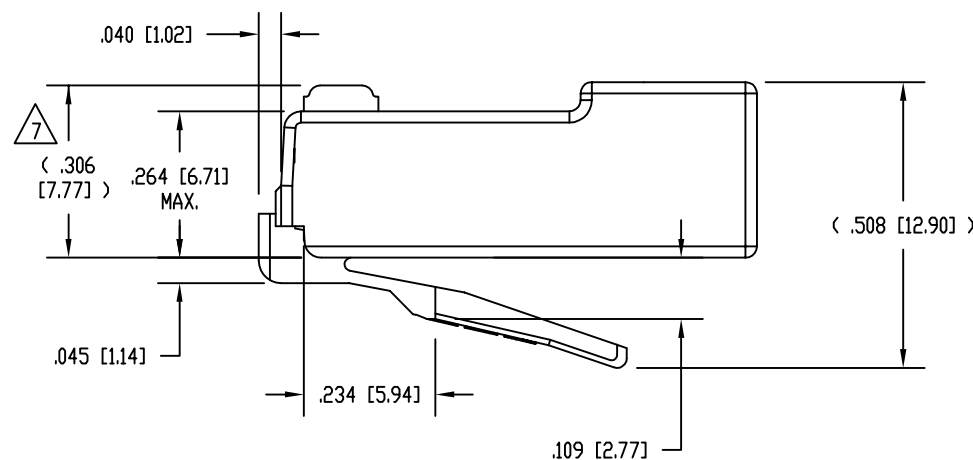
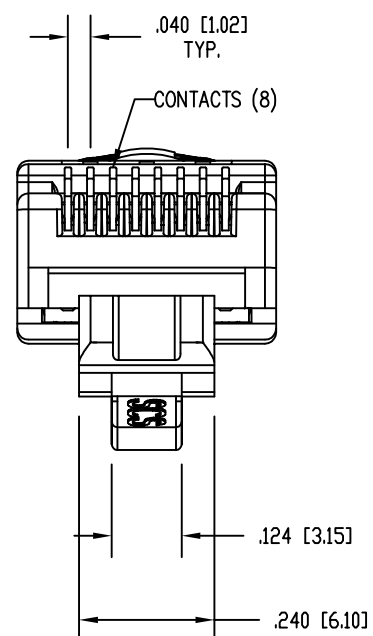
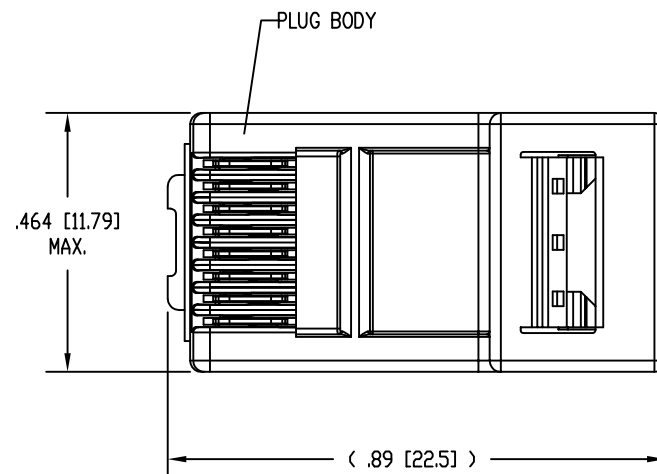


DATE	REV	ECN	APP'D. BY
10-6-15	A4	10435	TRM
2-18-16	A5	10556	TRM



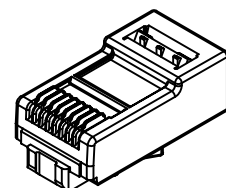
ISOMETRIC VIEW OF TERMINATED PLUG



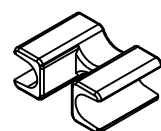
NOTES:

- PLUG KIT CONSISTS OF:  
PRE-INSERTED PLUG BODY  
LOAD BAR  
WIRE ALIGNER
- MATERIALS:  
PLUG BODY: CLEAR POLYCARBONATE, UL 94-V0  
LOAD BAR: BLACK POLYCARBONATE, UL 94-V0  
WIRE ALIGNER: CLEAR POLYCARBONATE, UL 94-V0  
CONTACTS: COPPER ALLOY, SELECTIVE GOLD PLATING
- FOR PRODUCT SPECIFICATION SEE PR026-01.
- CONTACTS TERMINATE SOLID OR STRANDED CONDUCTORS BETWEEN .037 [0.94] TO .042 [1.07] OUTSIDE DIAMETER OF INSULATION.
- PRODUCT DESIGNED FOR CATEGORY 6A APPLICATIONS.
- DIMENSIONS AND TOLERANCES COMPLY WITH TIA-1096 STANDARD FORMERLY FCC/CFR 47, PART 68.

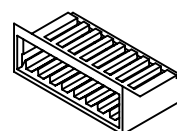
$\triangle$  TERMINATED PLUG HEIGHT: .237 [6.02]  $\pm$ .005 [0.13].



PRE-INSERTED PLUG BODY  
39100-308



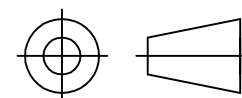
WIRE ALIGNER  
39100-864



LOAD BAR  
39100-847

50 MICRO-INCHES [1.27um]	SS-39100-029
CONTACT PLATING IN MATING AREA	PART NUMBER

THIRD ANGLE PROJECTION



1118 Susquehanna Trail South  
Glen Rock, PA 17327-9199  
(717) 235-7512

<http://www.stewartconnector.com>

DO NOT SCALE DRAWING  
DRAWING IS SUBJECT TO  
CHANGE WITHOUT NOTICE

TITLE: 8 CONDUCTOR, 8 POSITION UNSHIELDED CAT 6A PLUG, WITH  
LOAD BAR, AND WIRE ALIGNER

DIMENSIONS: INCHES [METRIC]  
UNLESS OTHERWISE SPECIFIED  
TOLERANCES ARE  $\pm$ .005 [0.13]  
ANGLES ARE  $\pm$  1°

THIS DRAWING AND THE SUBJECT MATTER SHOWN THEREON  
ARE CONFIDENTIAL AND THE PROPRIETARY PROPERTY OF  
STEWART CONNECTOR AND SHALL NOT BE REPRODUCED,  
COPIED, OR USED IN ANY MANNER WITHOUT PRIOR WRITTEN  
CONSENT OF STEWART CONNECTOR. ONE OR MORE U.S. PATENTS  
MAY APPLY TO THIS PRODUCT. FOR DETAILS, PLEASE  
VISIT: [HTTP://BELFUSE.COM/STEWART/STEWART\\_PATENTS/](http://BELFUSE.COM/STEWART/STEWART_PATENTS/)

DRN BY:	DHG	DATE	11-08-11
APPD BY:	TRM	DATE	11-08-11
DWG NO.	CT390082	REV.	A5

SHEET NO. 1 OF 1



# Mouser Electronics

Authorized Distributor

Click to View Pricing, Inventory, Delivery & Lifecycle Information:

Bel:

[SS-39100-029](#)