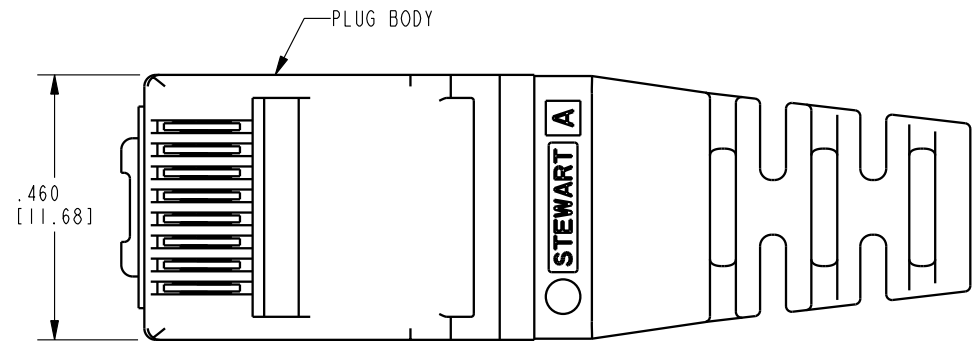
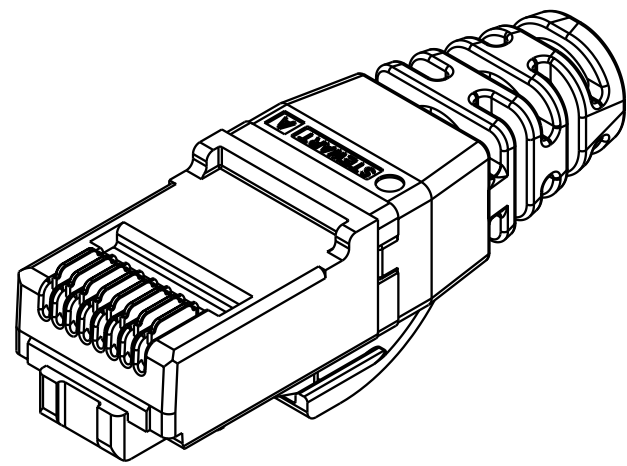
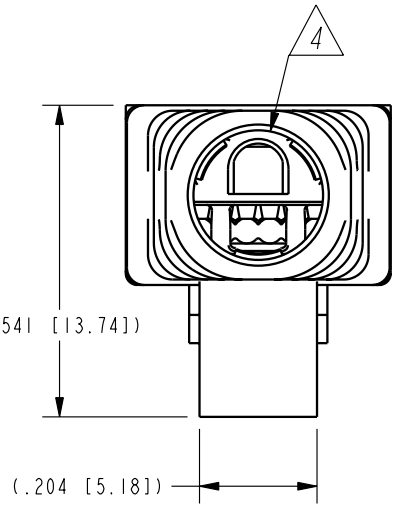
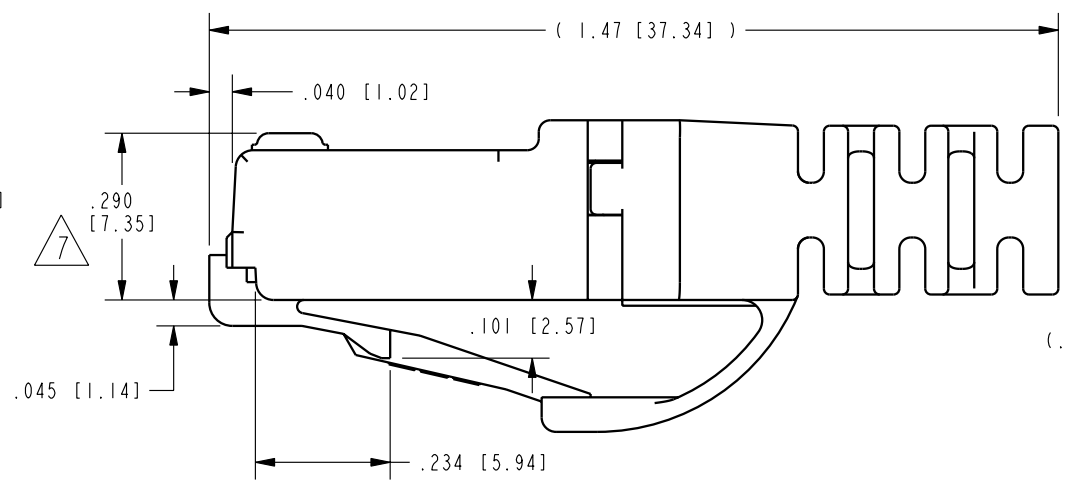
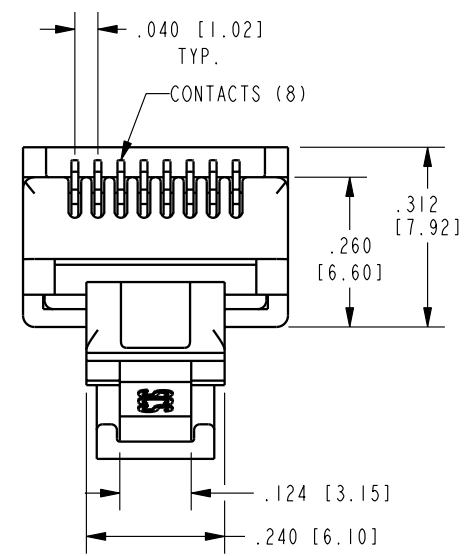


DATE	REV.	ECN	APP'D BY
2-18-16	B7	10556	TRM
4-5-17	B8	10972	TRM

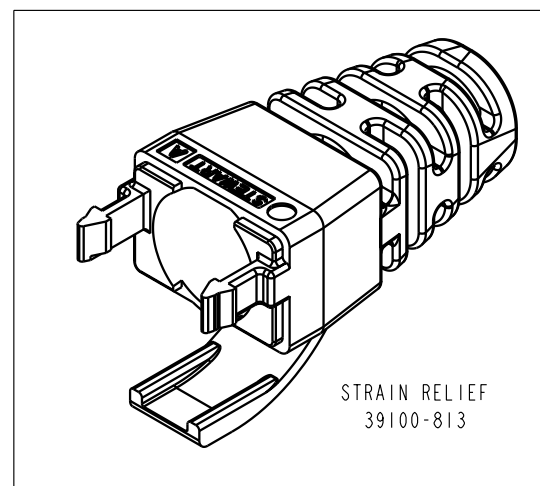
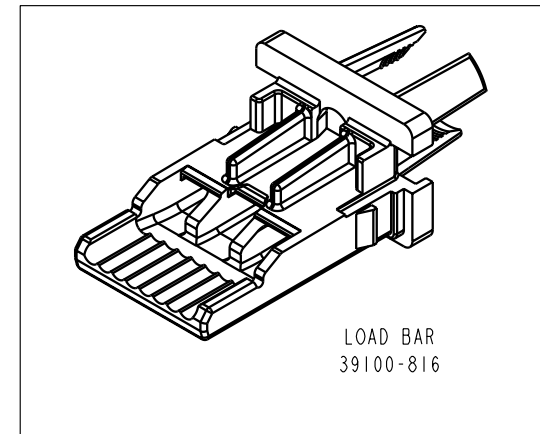
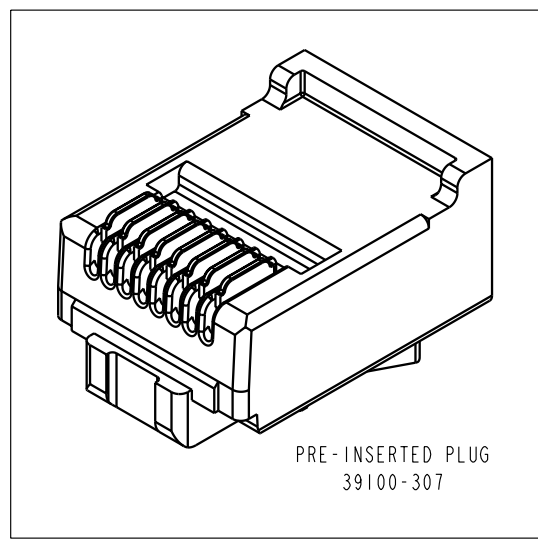


NOTES:

- PLUG KIT CONSISTS OF:  
PRE-INSERTED PLUG BODY  
LOAD BAR  
STRAIN RELIEF
- MATERIALS:  
PLUG BODY: CLEAR POLYCARBONATE, UL 94-V0  
LOAD BAR: CLEAR POLYCARBONATE, UL 94-V0  
STRAIN RELIEF: CLEAR POLYCARBONATE, UL 94-V0  
CONTACTS: COPPER ALLOY, SELECTIVE GOLD PLATING
- CONTACTS TERMINATE SOLID OR STRANDED CONDUCTORS BETWEEN .037 [0.94] TO .042 [1.07] OUTSIDE DIAMETER OF INSULATION.
- STRAIN RELIEF IS FOR CABLES WITH OUTSIDE DIAMETERS OF .220 [5.59] TO .230 [5.84].
- PLUG SPECIFICATION: FOR CATEGORY 6 APPLICATIONS.
- DIMENSIONS AND TOLERANCES COMPLY WITH TIA-1096 STANDARD.
- TERMINATED PLUG HEIGHT: .237 [6.02] ±.005 [0.13].
- FOR PRODUCT SPECIFICATION SEE PR026-01



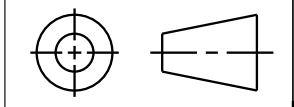
BAG OF 1000	50 MICRO-INCHES [1.27um]	SS-39100-016
BAG OF 25	50 MICRO-INCHES [1.27um]	SS-39100-017
BULK	50 MICRO-INCHES [1.27um]	SS-39100-008
PACKAGE	CONTACT PLATING IN MATING AREA	PART NUMBER



RoHS



THIRD ANGLE PROJECTION



DO NOT SCALE DRAWING

DRAWING IS SUBJECT TO CHANGE WITHOUT NOTICE

DIMENSIONS: INCHES [METRIC]

UNLESS OTHERWISE SPECIFIED TOLERANCES ARE ±.005 [0.13] ANGLES ARE ±1°

SHEET NO. 1 OF 1



11118 Susquehanna Trail South  
Glen Rock, PA 17327-9199  
(717) 235-7512  
<http://www.stewartconnector.com>

8 POSITION/8 CONDUCTOR CAT6 UNSHIELDED PLUG  
LOAD BAR & STRAIN ASS'Y (ANTI-SNAG VERSION)

THIS DRAWING AND THE SUBJECT MATTER SHOWN THEREON ARE CONFIDENTIAL AND THE PROPRIETARY PROPERTY OF STEWART CONNECTOR AND SHALL NOT BE REPRODUCED, COPIED, OR USED IN ANY MANNER WITHOUT PRIOR WRITTEN CONSENT OF STEWART CONNECTOR. ONE OR MORE U.S. PATENTS MAY APPLY TO THIS PRODUCT. FOR DETAILS, PLEASE VISIT: [HTTP://BELFUSE.COM/STEWART/STEWART\\_PATENTS/](http://BELFUSE.COM/STEWART/STEWART_PATENTS/)

DRN BY:	TRM	DATE	1-15-04
APPD BY:	RGC	DATE	2-13-04
DWG. NO.	CT390027	REV.	B8

# Mouser Electronics

Authorized Distributor

Click to View Pricing, Inventory, Delivery & Lifecycle Information:

Bel:

[SS-39100-017](#) [SS-39100-016](#)