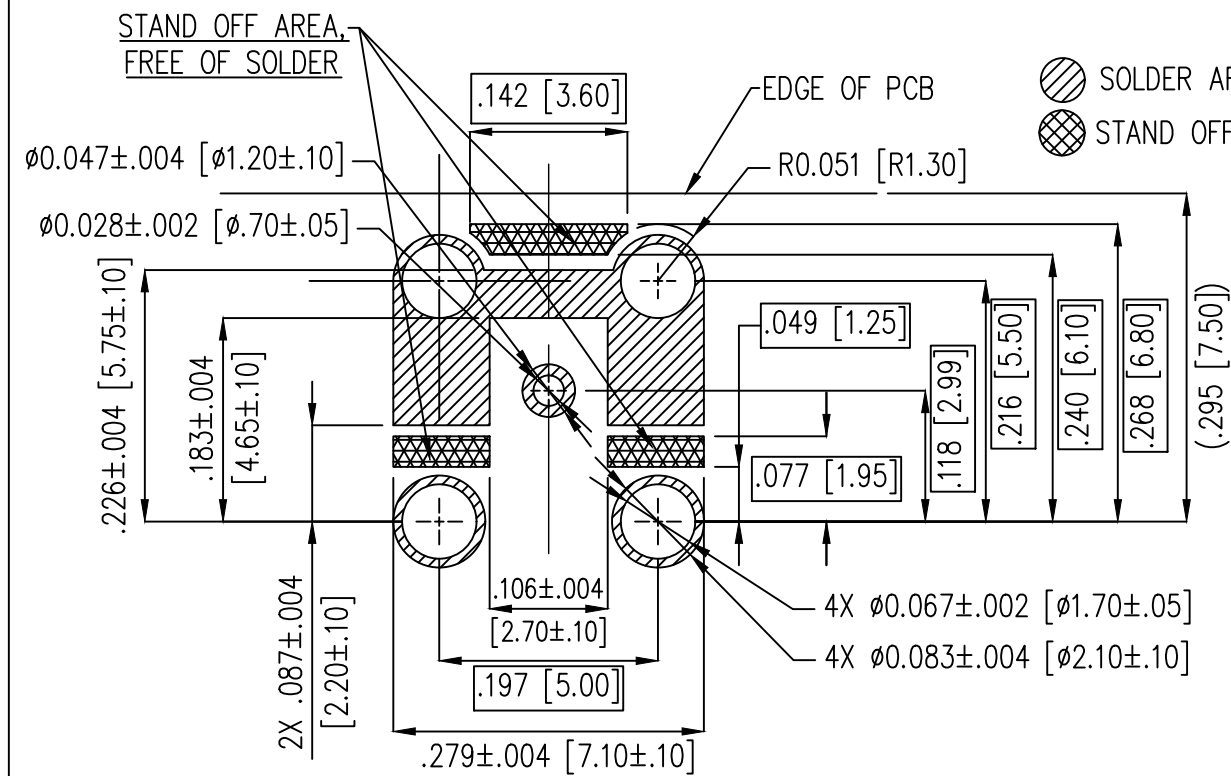
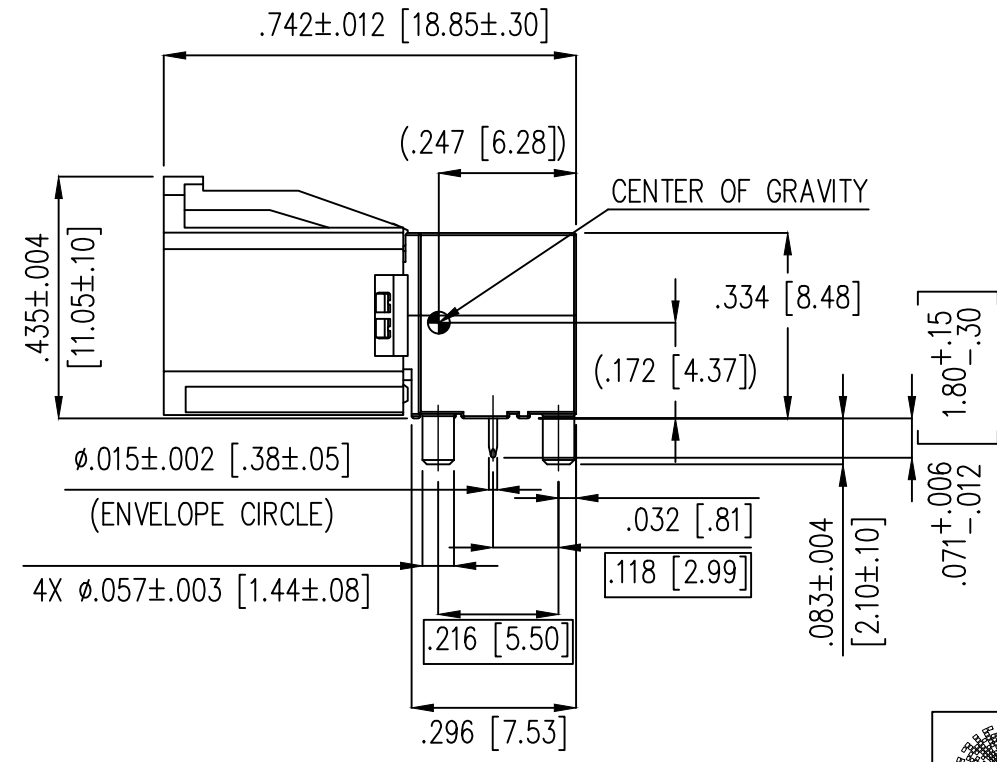
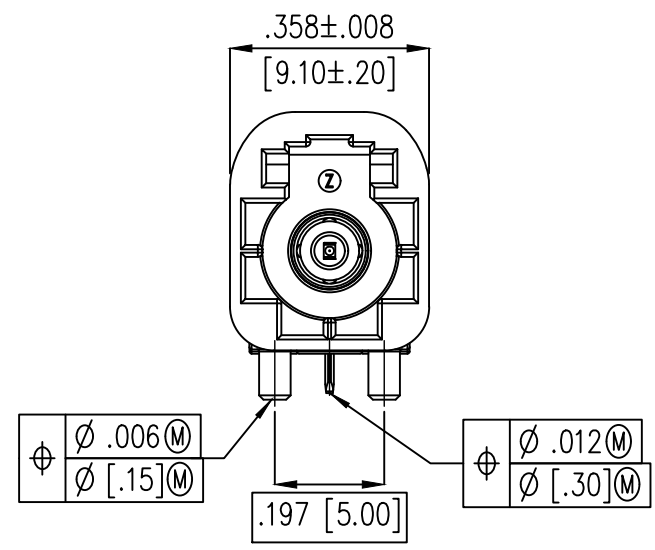
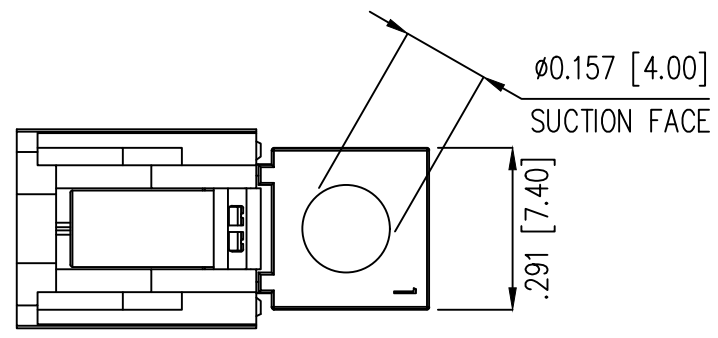


DATE	REV	ECN	APP'D BY
10/3/2024	A00	12447	GL

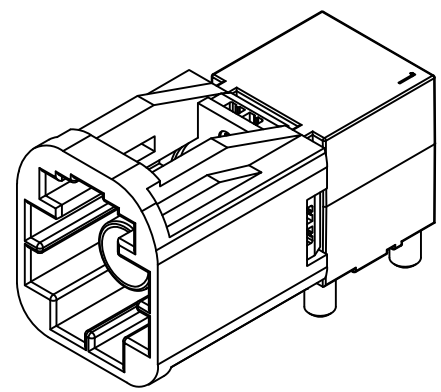


RECOMMENDED PCB LAYOUT



- NOTES:
- MATERIAL
HOUSING: PA
INNER HOUSING: LCP, COLOR BLACK
CENTER CONTACT: BRASS
OUTER CONTACT (INTERFACE): STAINLESS STEEL
OUTER CONTACT (PCB): ZAMAK
 - PLATING
CENTER CONTACT:
CONTACT AREA: 6u" Au
SOLDER TAILS: 80~200u" Sn(MATTE)
UNDERPLATE: 80~160u" Ni
OUTER CONTACT (INTERFACE): 80~200u" Sn(MATTE)
OVER 40~120u" Ni
OUTER CONTACT (PCB): 80~200u" Sn(MATTE)
OVER 120~240u" Ni
OVER 600~800u" Cu
 - ELECTRICAL
IMPEDANCE: 50Ω
FREQUENCY: DC to 9.0 GHz
INSULATION RESISTANCE: 1000MΩ MIN AT 500VDC
CENTER CONTACT RESISTANCE: 15mΩ MAX AT 20mV MAX
OUTER CONTACT RESISTANCE: 7.5mΩ MAX AT 20mV MAX
WITHSTANDING VOLTAGE: AC 800Vrms MIN 60Hz
VOLTAGE RATING: AC 335Vrms
CURRENT RATING: 1.0A MAX
 - MECHANICAL
DURABILITY: ≥ 25 CYCLES
ENGAGEMENT FORCE: ≤ 15N
DISENGAGEMENT FORCE: ≥ 2N
DISENGAGEMENT FORCE LATCH: ≥ 110N
CODING EFFICIENCY: ≥ 150N
 - ENVIRONMENTAL
TEMPERATURE RANGE: -40°C TO +105°C

SS-40421-002	6μ" [0.15μm] Au
PART NUMBER	CONTACT PLATING IN MATING AREA



stewart CONNECTOR a bel group
11118 Susquehanna Trail South
Glen Rock, PA 17327-9199
(717) 235-7512
<http://www.stewartconnector.com>

RoHS ✓ THIRD ANGLE PROJECTION

THIS DRAWING AND THE SUBJECT MATTER SHOWN THEREON ARE CONFIDENTIAL AND THE PROPRIETARY PROPERTY OF STEWART CONNECTOR AND SHALL NOT BE REPRODUCED, COPIED, OR USED IN ANY MANNER WITHOUT PRIOR WRITTEN CONSENT OF STEWART CONNECTOR. THE SUBJECT MATTER MAY BE PATENTED OR A PATENT MAY BE PENDING.

DO NOT SCALE DRAWING

PART NUMBER: SS-40421-002
DRAWING NUMBER: CT740281

TITLE		
Mini FAKRA PLUG 1X1 PCB Conn. A-TYPE (Water Blue, Z Coded)		
DIMENSIONS SHOWN ARE SUBJECT TO CHANGE WITHOUT NOTICE	DRWN BY: BR	DATE: 9/27/24
DIMENSIONS: INCHES [METRIC]	CHKD BY: BR	DATE: 9/27/24
TOLERANCES UNLESS OTHERWISE NOTED	APPD BY: KW	DATE: 9/27/24
2 PLC. DEC. ±.02 [0.5]	SHEET: 1 OF 1	REV: A00
3 PLC. DEC. ±.012 [0.30]		
4 PLC. DEC. ±.0079 [0.200]		
ANGLES ± 5°		

Mouser Electronics

Authorized Distributor

Click to View Pricing, Inventory, Delivery & Lifecycle Information:

[Bel:](#)

[SS-40421-002](#)