

THE INFORMATION CONTAINED HEREIN IS CONSIDERED "PROPRIETARY" TO BEL FUSE INC. AND SHALL NOT BE COPIED, REPRODUCED OR DISCLOSED WITHOUT THE WRITTEN APPROVAL OF BEL FUSE INC.

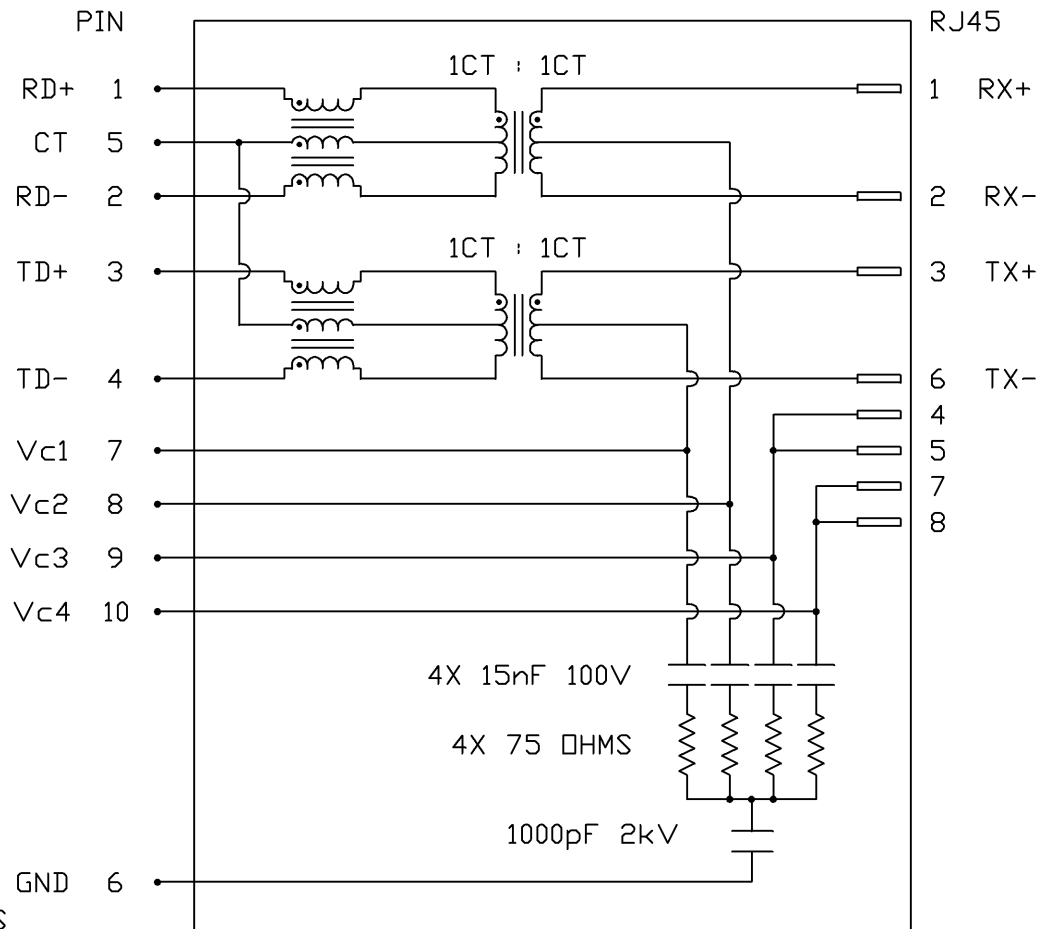
PRELIMINARY



ELECTRICAL CHARACTERISTICS @ 25°C

URNS RATIO	1CT : 1CT ±2%
QCL @ 0.1V, 100KHz 8mA DC BIAS (0°C - 70°C)	350µH MIN.
INSERTION LOSS 100KHz TO 100MHz	-1.2 dB MAX.
RET. LOSS (MIN) @ 100ΩHMS ±15% 2MHz-30MHz 60MHz-80MHz	-16 dB MIN. -10 dB MIN.
LEAKAGE INDUCTANCE PRIMARY W/ SECONDARY SHORTED	0.25µH MAX. @ 1MHz
D.C. RESISTANCE (1-2)=(3-4) (RJ1-RJ2)=(RJ3-RJ6)	1.40 ΩHMS MAX. 1.0 ΩHMS MAX.
INTERWINDING CAPACITANCE PER CHANNEL (PRI. to SEC.)	40 pF MAX.
XTALK 100KHz TO 100MHz	-30 dB MIN.
HIPOT (Isolation Voltage): 100% OF PRODUCTION TESTED TO COMPLY WITH IEEE 802.3 ISOLATION REQUIREMENTS	2250 VDC
BALANCED DC LINE CURRENT	350mA MAX. @ 57 VDC CONTINUOUS 500mA MAX. @ 57 VDC FOR 200 MILLSECONDS
OPERATING TEMPERATURE:	-40° TO +85°C

SCHEMATIC



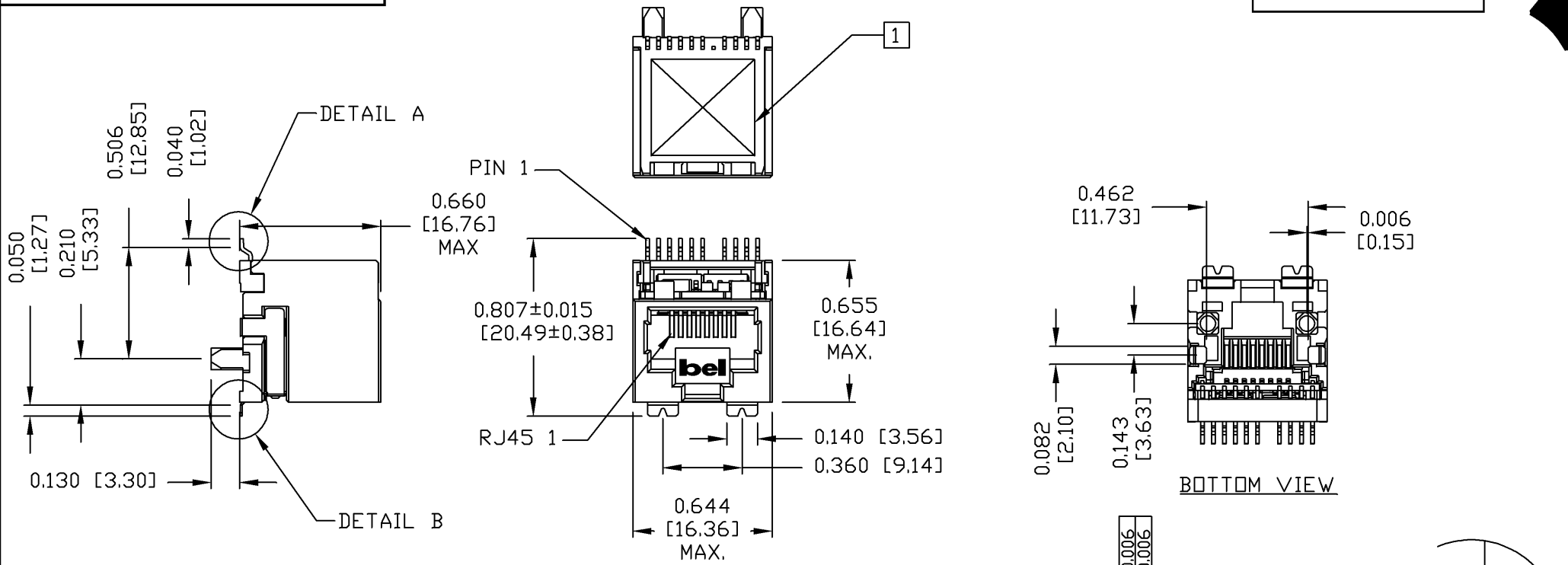
ORIGINATED BY CHOW WANCHUNG	DATE 06-12-08	TITLE Vertical SMT MagJack® (EXT. TEMP.)	PART NO. / DRAWING NO. V895-1001-AW	STANDARD DIM. TOL. IN INCH	[ ] METRIC DIM. AS REFERENCE	 COMPONENTS FOR A CONNECTED PLANET	
DRAWN BY DENG PING	DATE 06-12-08		FILE NAME V895-1001-AW_PB.DWG	.X	UNIT : INCH [mm]		REV. : PB
				.XX	SCALE : N/A		SIZE : A4
				.XXX		PAGE : 2	

THE INFORMATION CONTAINED HEREIN IS CONSIDERED "PROPRIETARY" TO BEL FUSE INC. AND SHALL NOT BE COPIED, REPRODUCED OR DISCLOSED WITHOUT THE WRITTEN APPROVAL OF BEL FUSE INC.



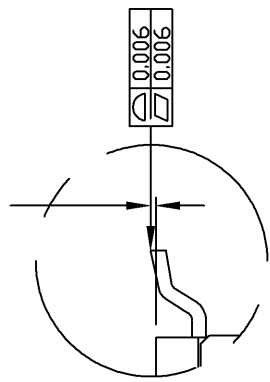
MECHANICAL SPECIFICATION

PRELIMINARY

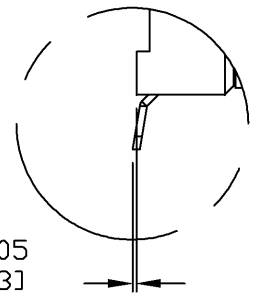


NOTES:

- PLASTIC HOUSING: THERMOPLASTIC PA, FLAMMABILITY RATING UL 94V-0
- CONTACTS: 30 MICRO-INCH HARD GOLD PLATING
- OUTPUT PINS: TIN-COATED COPPER WIRE, 0.016INCH\*0.016INCH, SQUARE, SMD PINS
- METAL SHIELD: NICKEL PLATED ON COPPER ALLOY
- 1 MARK PART WITH MFG LOGO, MFG NAME, PART NUMBER AND DATE CODE.
- 2 THE 4 PADS ARE NOT FOR GROUNDING, BUT TO STRENGTHEN THE RETENTION FORCE ONTO CUSTOMER PCB.
- 3. RoHS COMPLIANCE, PER EU DIRECTIVE 2002/95/EC.
- 4. JACK CAVITY CONFORMS TO FCC RULES AND REGULATIONS.



DETAIL A (SCALE 3:1)



GROUND PLATES

DETAIL B (SCALE 3:1)

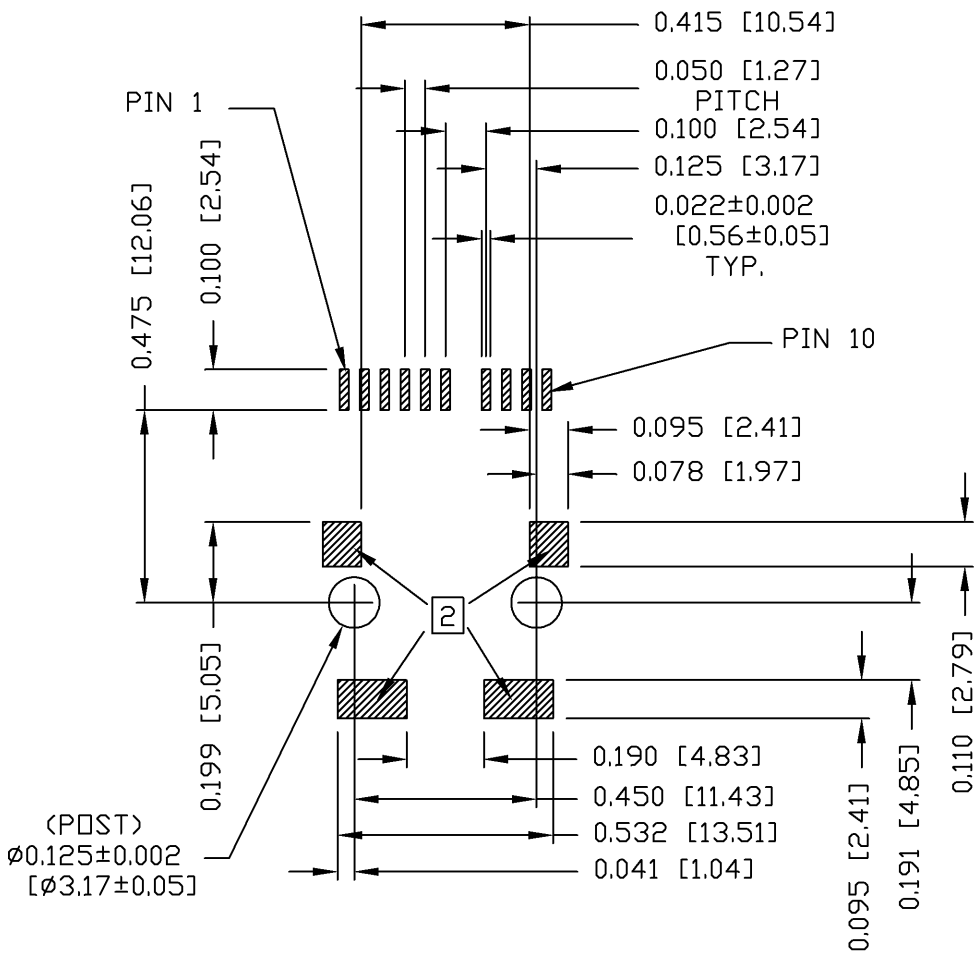
ORIGINATED BY	DATE	TITLE	PART NO. / DRAWING NO.	STANDARD DIM. TOL. IN INCH	[ ] METRIC DIM. AS REFERENCE	<p>COMPONENTS FOR A CONNECTED PLANET</p>	
ZX HUANG	06-12-08	Vertical SMT MagJack® (EXT. TEMP.)	V895-1001-AW	.X	UNIT : INCH [mm]		REV. : PB
DRAWN BY	DATE		FILE NAME	.XX	SCALE : N/A		SIZE : A4
LU XUEPING	06-12-08	V895-1001-AW_PB.DWG	.XXX	±0.010	PAGE : 3		

THE INFORMATION CONTAINED HEREIN IS CONSIDERED "PROPRIETARY" TO BEL FUSE INC. AND SHALL NOT BE COPIED, REPRODUCED OR DISCLOSED WITHOUT THE WRITTEN APPROVAL OF BEL FUSE INC.

PRELIMINARY



RECOMMENDED PCB FOOTPRINT  
 COMPONENT SIDE VIEW  
 (SHADED AREA ARE SOLDER PADS)



PACKING INFORMATION

PACKING TRAY : 0200-9999-I5(TOP)  
 0200-9999-I6(BOTTOM)  
 PACKING QUANTITY : 88 PCS FINISHED GOODS PER TRAY  
 11 TRAY (968 PCS FINISHED GOODS)  
 PER CARTON BOX  
 NOTE: CARDBOARDS ARE PLACED BETWEEN LAYERS  
 OF PACKING TRAY INSIDE CARTON BOX  
 (INCLUDE THE UPPERMOST AND LOWERMOST TRAY)

ORIGINATED BY	DATE	TITLE Vertical SMT MagJack® (EXT. TEMP.)	PART NO. / DRAWING NO.		STANDARD DIM. TOL. IN INCH		[ ] METRIC DIM. AS REFERENCE		 COMPONENTS FOR A CONNECTED PLANET
ZX HUANG	06-12-08		V895-1001-AW		.X		UNIT : INCH [mm]	REV. : PB	
DRAWN BY	DATE		FILE NAME		.XX		SCALE : N/A	SIZE : A4	
LU XUEPING	06-12-08		V895-1001-AW_PB.DWG		.XXX	±0.010		PAGE : 4	

# Mouser Electronics

Authorized Distributor

Click to View Pricing, Inventory, Delivery & Lifecycle Information:

Bel:

[V895-1001-AW](#)