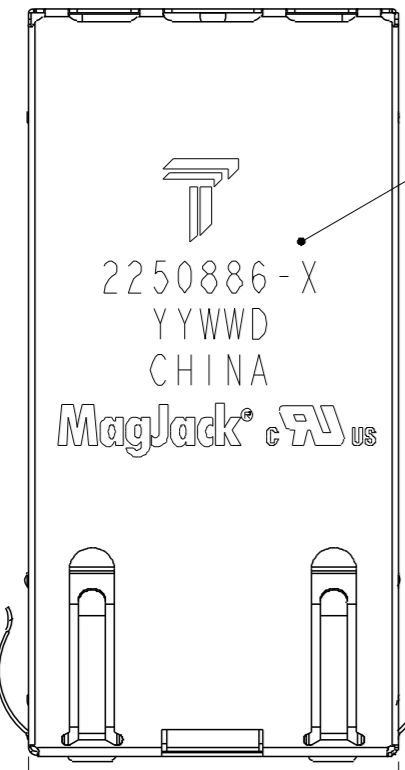


THIS DRAWING AND THE SUBJECT MATTER SHOWN THEREON ARE CONFIDENTIAL AND THE PROPERTY OF BEL/STEWART/TRP CONNECTOR AND SHALL NOT BE REPRODUCED, COPIED, OR USED IN ANY MANNER WITHOUT THE WRITTEN CONSENT OF TRP CONNECTOR.

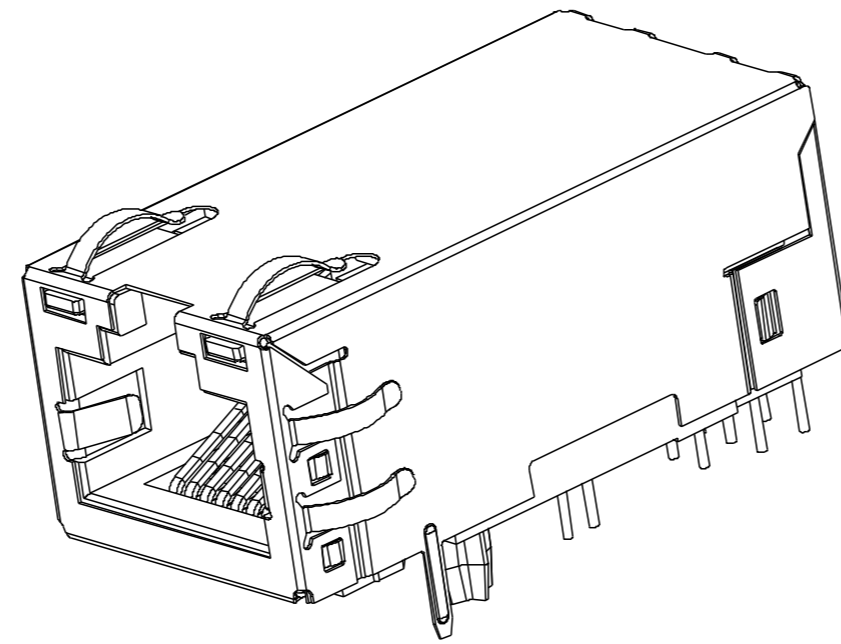
PRODUCT MAY BE PROTECTED BY ONE OR MORE OF THE FOLLOWING US PATENTS:  
 5736910 5939955 6425781 6428361 6554638 6840817 7123117  
 7429195 7717749 7808751 6217391 6149050 7924130

REVISIONS

P	LTR	DESCRIPTION	DATE	DWN	APVD
1		SEE LAST SHEET	11OCT2023	TRY	TY
2		SEE LAST SHEET	15OCT2023	TRY	TY



1.4  
4 PLC  
16.38



1. MATERIALS

HOUSING: THERMOPLASTIC, BLACK, FLAMMABILITY RATING UL 94V-0  
 SHIELD: STAINLESS STEEL, 0.15mm THICK, PREPLATED WITH MIN 0.76μm SEMI-BRIGHT NICKEL POST DIPPED WITH 2.54μm MIN SAC SOLDER AT GROUND PINS.  
 CONTACT: PHOSPHOR BRONZE, 0.46mmX0.30mm  
 WITH 1.27μm MIN OVERALL NICKEL UNDERPLATE AND SELECTIVE 1.27μm MIN GOLD PLATING AT MATING INTERFACE.  
 SOLDER TAIL(LED AND SIGNAL): Ø0.45mm COPPER PLATED STEEL, PLATED WITH 2.54μm MIN TIN.

2 MAGNETICS

-APPLICATION: 10G BASE-T 4PPoE EXTENDED TEMPERATURE  
 -IMPEDANCE: 100 OHMS  
 -TURNS RATIO (CHIP:CABLE): 1:1 ALL FOUR PAIRS  
 -OPEN CIRCUIT INDUCTANCE (OCL): ALL CHANNELS  
 160μH MIN @100kHz, 0.1VRMS, 8mA DC BIAS FROM -40°C TO 85°C,  
 120μH MIN @100kHz, 0.1VRMS, 23mA DC BIAS FROM -40°C TO 85°C.  
 -ALL FOUR PAIRS BI-DIRECTIONAL  
 -PoE CURRENT: 1A DC MAX  
 -PERFORMANCE @ 25°C: PLEASE REFER TO SEPARATE SHEET  
 -ISOLATION VOLTAGE: 2250VDC FOR 60 SECONDS WITH A RISE TIME OF 500V/SEC.

3. OPERATING TEMPERATURE: -40°C TO 85°C

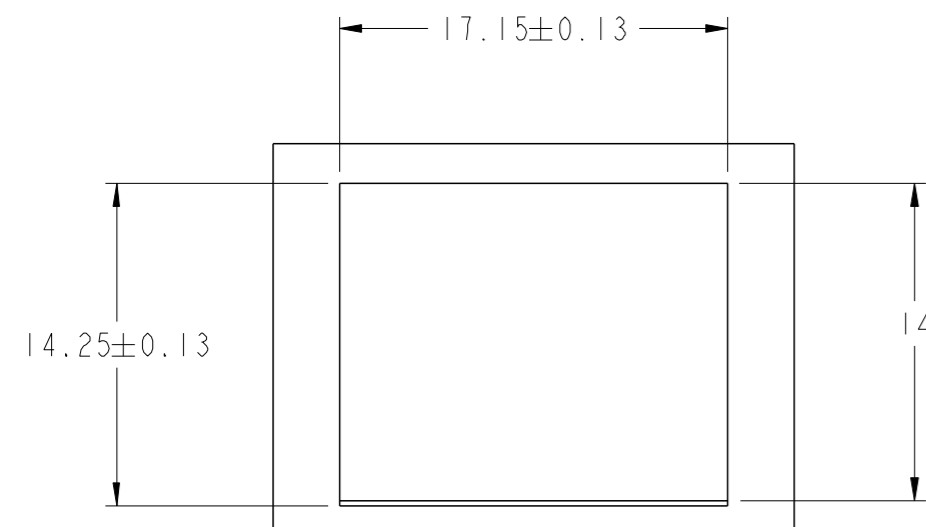
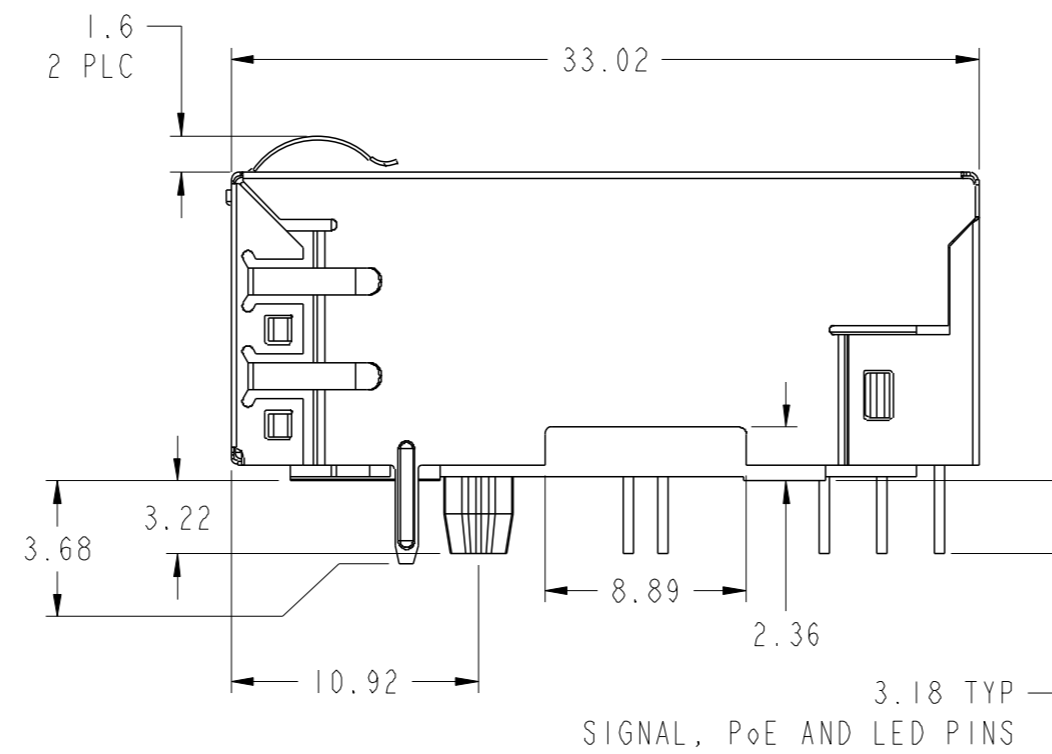
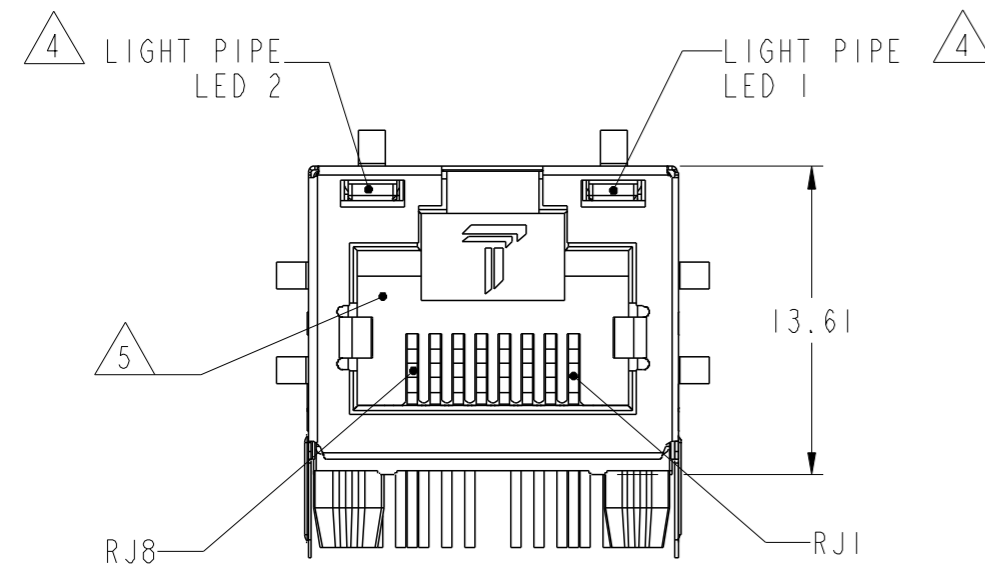
4 LIGHT PIPES ARE USED TO TRANSMIT LIGHT OF LED.

LEDS ARE DRIVEN WITH CONSTANT CURRENT AT APPROX 20mA.  
 LED COLOR: DOMINANT WAVELENGTH (λ D): GREEN 567nm TYP. at IF=20mA  
 FORWARD VOLTAGE (VF): GREEN 2.2V TYP. at IF=20mA  
 DOMINANT WAVELENGTH (λ D): YELLOW 587nm TYP. at IF=20mA  
 FORWARD VOLTAGE (VF): YELLOW 2.1V TYP. at IF=20mA

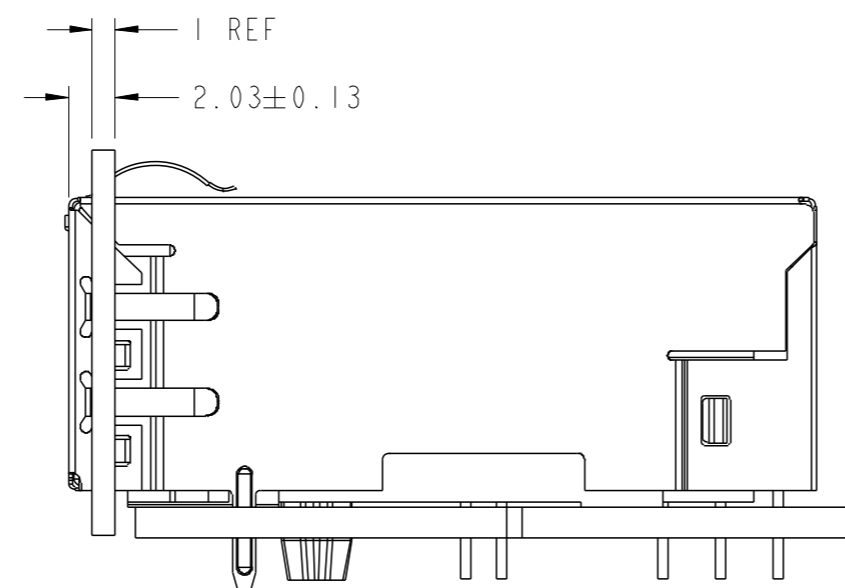
5 RJ45 CAVITY CONFORMS TO FCC RULES AND REGULATION PART 68 SUBPART F.

6 TRP CONNECTOR LOGO, PART NUMBER, DATE CODE, COUNTRY OF ORIGIN, AGENCY APPROVAL MARKING IN APPROPRIATE LOCATION SHOWN. DATE CODE: YYWWD  
 "YY" IS YEAR, "WW" IS WORK WEEK, "D" IS DAY OF WEEK, WITH SUNDAY=1.

7. PART SHOULD BE RECOMMENDED FOR WAVE SOLDERING PROCESS, PEAK WAVE SOLDERING TEMPERATURE IS 260°C, 10 SECOND MAX.



SUGGESTED PANEL CUTOUT

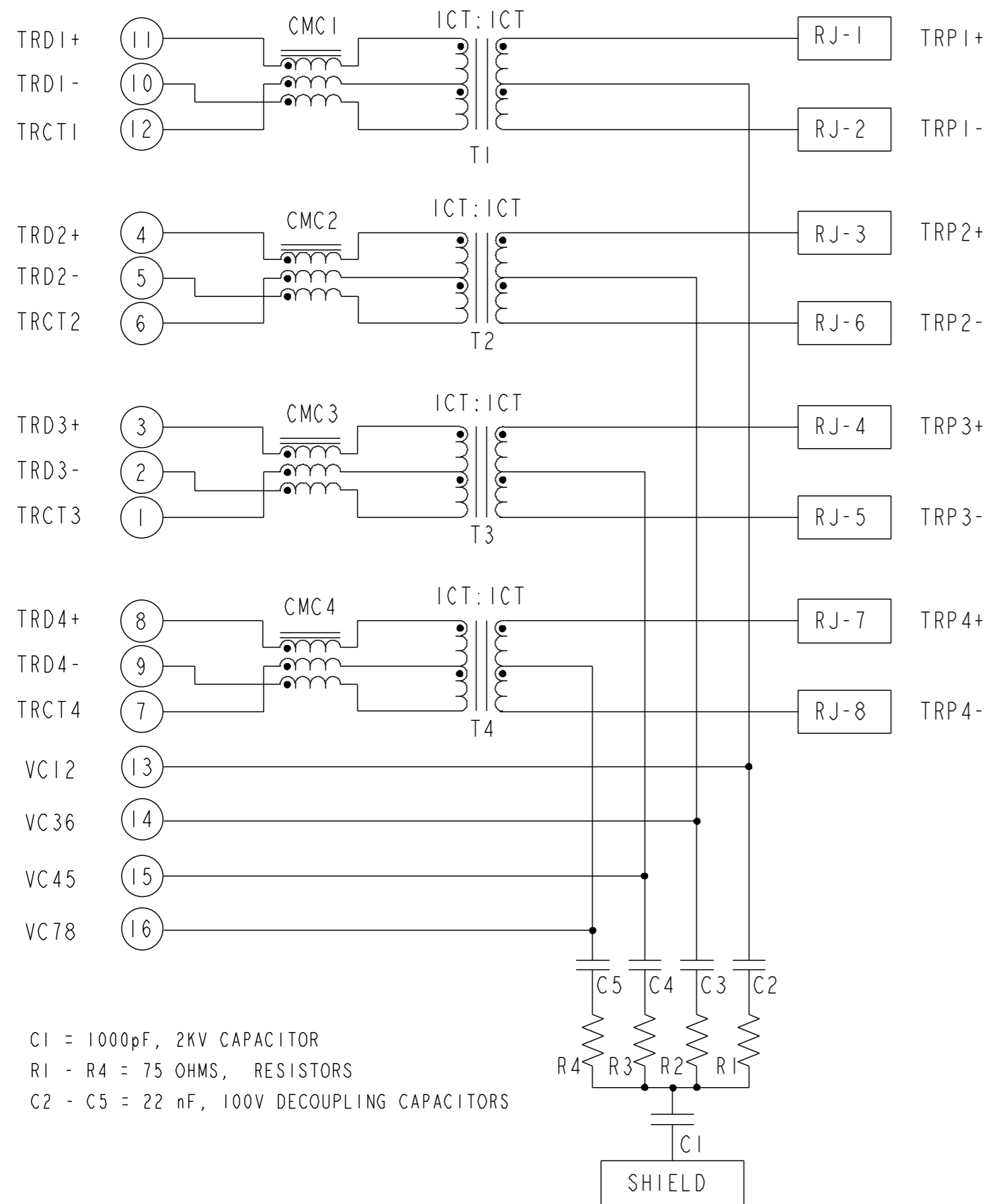


CONNECTOR ASSEMBLED TO PANEL AND PCB

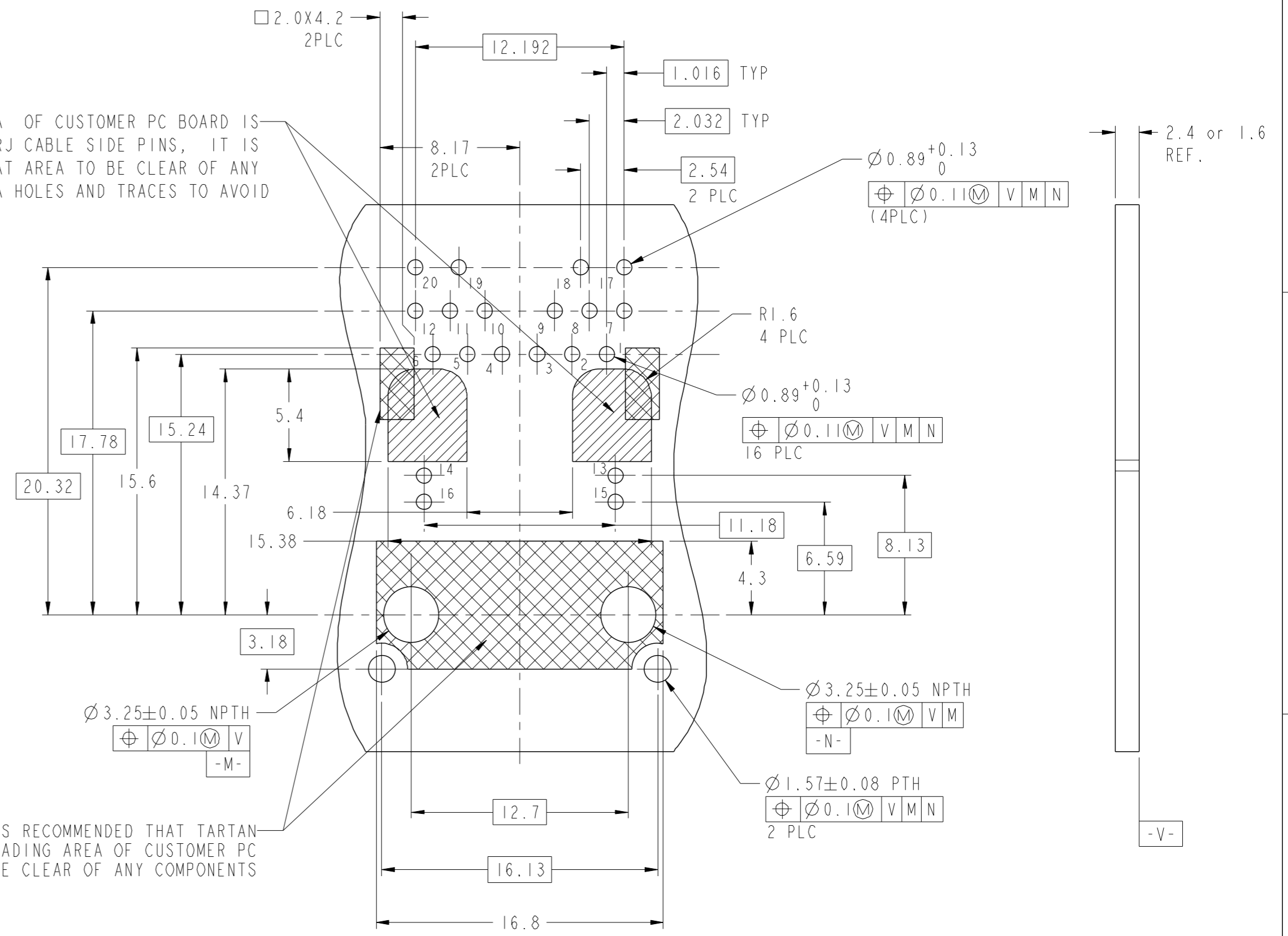
2250886-1  
PART NUMBER

THIS DRAWING IS A CONTROLLED DOCUMENT. AND COMPLIANT TO ASME Y14.5M		DWN TOWER YU / XENIA WANG 11OCT2023	<b>trp</b> CONNECTOR a bel group DONGGUAN CHINA		
DIMENSIONS: mm		CHK BILL LIU 11OCT2023			
TOLERANCES UNLESS OTHERWISE SPECIFIED:		APVD TONY YUAN 11OCT2023	DESC 1X1 7UTG01RET 10G 4PPoE 100W EXTENDED TEMPERATUR TAB UP, W/ LEDS		
0 PLC ± 1 PLC ±0.25 2 PLC ±0.25 3 PLC ±0.25 4 PLC ±		MODEL NAME MAGJACK SINGLE 4PPOE	SIZE A2	DRAWING NO C=2250886	RESTRICTED TO -
PRODUCT SPEC 108-104004		APPLICATION SPEC -	CUSTOMER DRAWING SCALE NTS SHEET 1 OF 3 REV 2		

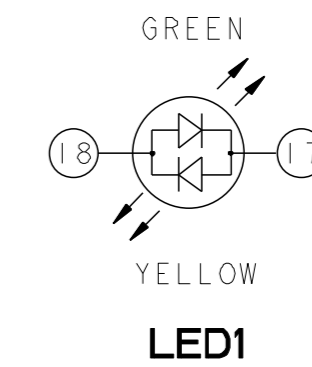
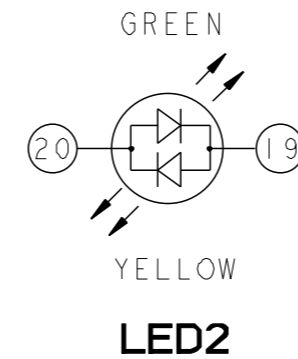
# 7UTG01RET 10 GIGABIT 100W CIRCUIT




THE SHADED AREA OF CUSTOMER PC BOARD IS EQUIVALENT TO RJ CABLE SIDE PINS, IT IS RECOMMENDED THAT AREA TO BE CLEAR OF ANY COMPONENTS, VIA HOLES AND TRACES TO AVOID HI-POT FAILURE



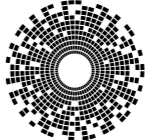
IT IS RECOMMENDED THAT TARTAN SHADING AREA OF CUSTOMER PC BOARD BE CLEAR OF ANY COMPONENTS



SUGGESTED PCB FOOTPRINT COMPONENT SIDE

THIS DRAWING IS A CONTROLLED DOCUMENT. AND COMPLIANT TO ASME Y14.5M		DWN: 11OCT2023 TOWER YU / XENIA WANG		DONGGUAN CHINA	
DIMENSIONS: mm		CHK: 11OCT2023 BILL LIU		DESC: 1X1 7UTG01RET 10G 4PPoE 100W EXTENDED TEMPERATUR TAB UP, W/ LEDS	
TOLERANCES UNLESS OTHERWISE SPECIFIED:		APVD: 11OCT2023 TONY YUAN	MODEL NAME: MAGJACK SINGLE 4PPOE		RESTRICTED TO: -
0 PLC ±- 1 PLC ±0.25 2 PLC ±0.25 3 PLC ±0.25 4 PLC ±- ANGLES ±- APPLICATION SPEC		SIZE: A2		DRAWING NO: C=2250886	SCALE: NTS
PRODUCT SPEC: 108-104004		CUSTOMER DRAWING		SHEET: 2 OF 3	REV: 2

2250886_C						STOCK DISPOSITION			
						A:CONTINUE AS IS B:REWORK C:SCRAP		D:USE OLD FIRST E:PARTS TO CONFORM F:OTHER	
REVISION HISTORY									
DATE	REV	CHANGE	REASON	APPROVAL	INVENTORY (A,B,C,D,E,F)	WORK IN PROCESS (A,B,C,D)	SUPPLIER ORDERS (A,E,F)	OPEN CUST ORDERS (A,E,F)	
11OCT2023	1	-	INITIAL RELEASE	TONY YUAN	-	-	-	-	
15OCT2023	2	SHEET 2, B1-B2: REDRAW LEDS POLARITY SCHEMATICS	CUSOTMER REQUEST	TONY YUAN	-	-	-	-	

THIS DRAWING IS A CONTROLLED DOCUMENT. AND COMPLIANT TO ASME Y14.5M		DWN TOWER YU / XENIA WANG 11OCT2023	 <b>trp</b> CONNECTOR a bel group	DONGGUAN CHINA	
DIMENSIONS: mm		CHK BILL LIU 11OCT2023		DESC IXI 7UTG01RET 10G 4PPoE 100W EXTENDED TEMPERATUR TAB UP, W/ LEDS	
TOLERANCES UNLESS OTHERWISE SPECIFIED: 0 PLC ± 1 PLC ±0.25 2 PLC ±0.25 3 PLC ±0.25 4 PLC ± ANGLES ± APPLICATION SPEC		APVD TONY YUAN 11OCT2023	MODEL NAME MAGJACK SINGLE 4PPOE		RESTRICTED TO -
PRODUCT SPEC 108-104004			SIZE A2	CAGE CODE C=2250886	DRAWING NO C=2250886
			CUSTOMER DRAWING		SCALE NTS SHEET 3 OF 3 REV 2

# Mouser Electronics

Authorized Distributor

Click to View Pricing, Inventory, Delivery & Lifecycle Information:

[Bel:](#)

[2250886-1](#)