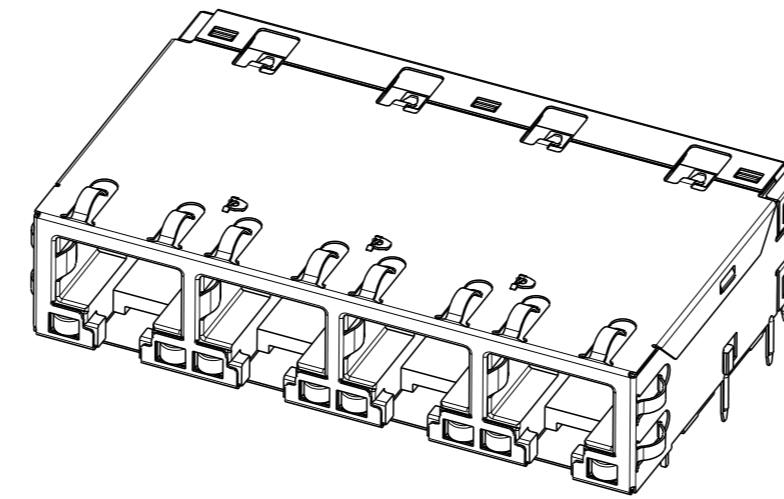
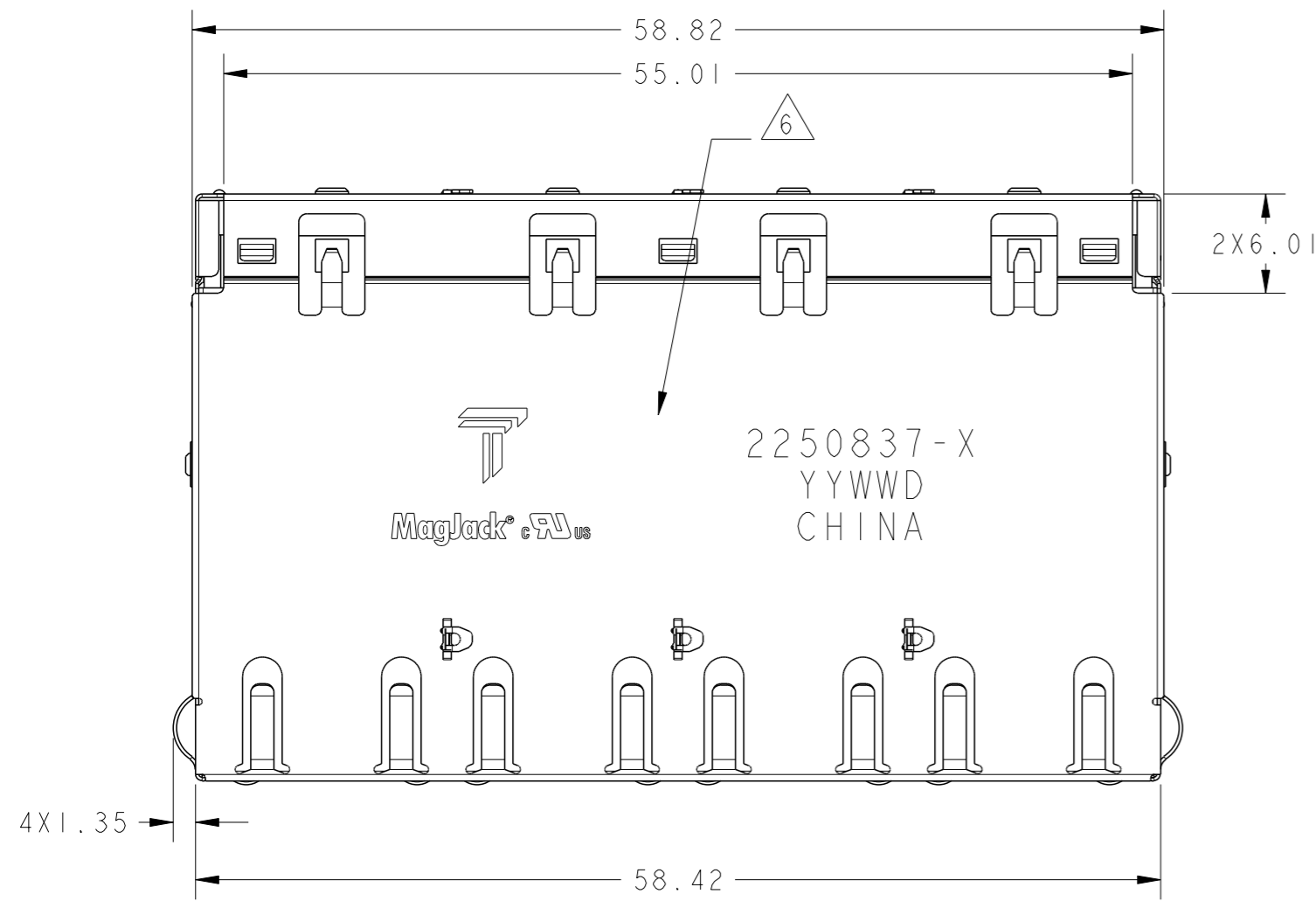


THIS DRAWING AND THE SUBJECT MATTER SHOWN THEREON ARE CONFIDENTIAL AND THE PROPERTY OF BEL/STEWART/TRP CONNECTOR AND SHALL NOT BE REPRODUCED, COPIED, OR USED IN ANY MANNER WITHOUT THE WRITTEN CONSENT OF TRP CONNECTOR.

PRODUCT MAY BE PROTECTED BY ONE OR MORE OF THE FOLLOWING US PATENTS:
 5736910 5939955 6425781 6428361 6554638 6840817 7123117
 7429195 7717749 7808751 6217391 6149050 7924130

REVISIONS				
P	LTR	DESCRIPTION	DATE	APVD
2		SEE LAST SHEET	07JUN2023	JY TY



1. MATERIALS:
 - HOUSING: THERMOPLASTIC, FLAMMABILITY, RATING UL 94V-0
 - SHIELD: 0.20mm THICK, COPPER BASE ALLOY PREPLATED WITH 0.76um MIN SEMI-BRIGHT NICKEL, OR 0.20mm THICK STAINLESS STEEL.
 - MOD JACK CONTACTS: 0.3mm THICK, PHOSPHOR BRONZE, 1.27um MIN OVERALL NICKEL UNDERPLATE, WITH 1.27um MIN LOCALIZED GOLD PLATE AT CONTACT INTERFACE
 - LED: DIFFUSED EPOXY LENS 0.5 SQUARE CABBON STEEL WIREFRAME LEADS PREPLATED WITH 2.03um MIN SILVER OVER 1.02um MIN NICKEL UNDERPLATE OVER 1.02um MIN COPPER UNDERPLATE; POST PLATED WITH 2.54um MIN MATTE TIN

2. MAGNETICS:
 - APPLICATION: 1G/10G BASE-T, 4PPoE
 - IMPEDANCE: 100 OHMS
 - TURNS RATIO (CHIP:CABLE): 1:1 ALL FOUR PAIRS
 - OPEN CIRCUIT INDUCTANCE (OCL): 160uH MIN @ 100kHz, 0.1VRMS FROM 0°C TO 70°C, ALL FOUR PAIRS, 120uH MIN @ 100kHz, 0.1VRMS, 23mA DC BIAS FROM 0°C TO 70°C, ALL FOUR PAIRS
 - ALL FOUR PAIRS BI-DIRECTIONAL
 - PoE CURRENT: 1A DC MAX
 - PERFORMANCE @ 25 °C: PLEASE REFER TO SEPARATE SHEET
 - ISOLATION VOLTAGE: 2250VDC FOR 60 SECONDS WITH A RISE TIME OF 500V/SEC, WITH ALL PORTS CONNECTED

3. OPERATING TEMPERATURE: FROM 0°C TO 70°C

4. RJ45 JACK CAVITY CONFORMS TO FCC RULES AND REGULATIONS PART 68, SUB-PART F.

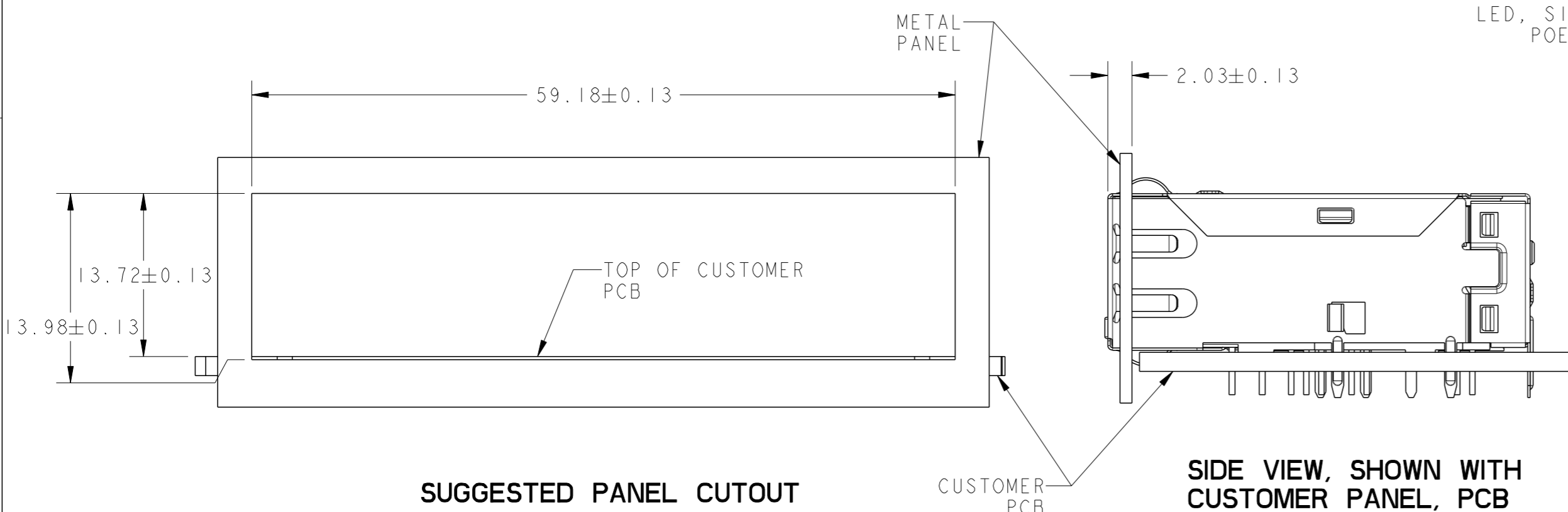
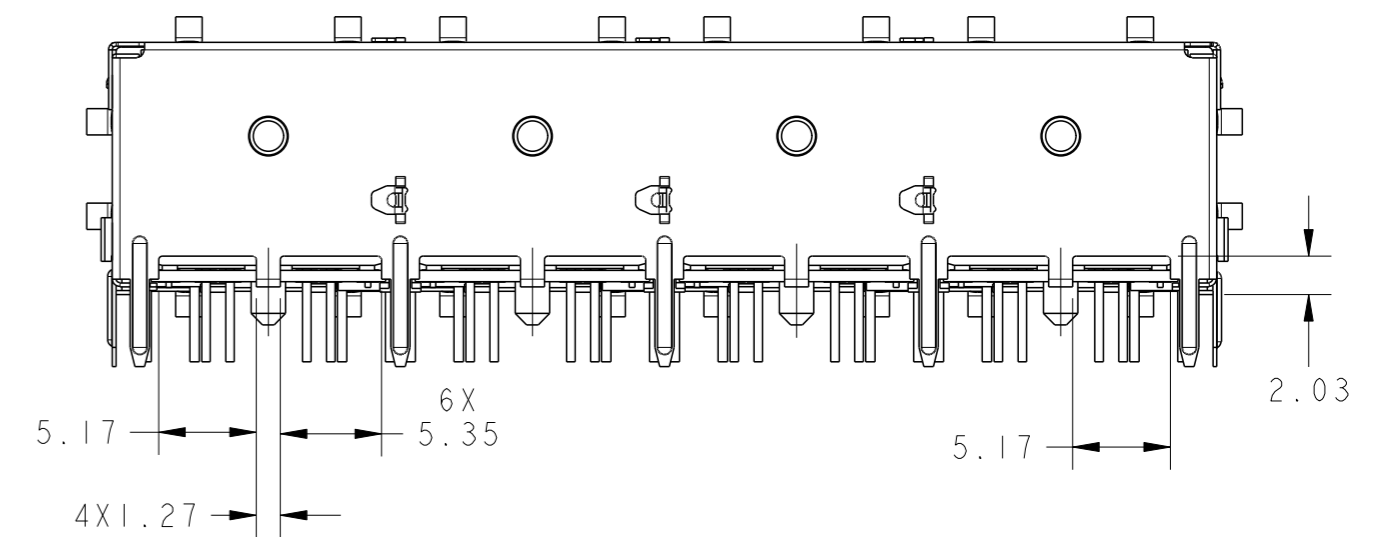
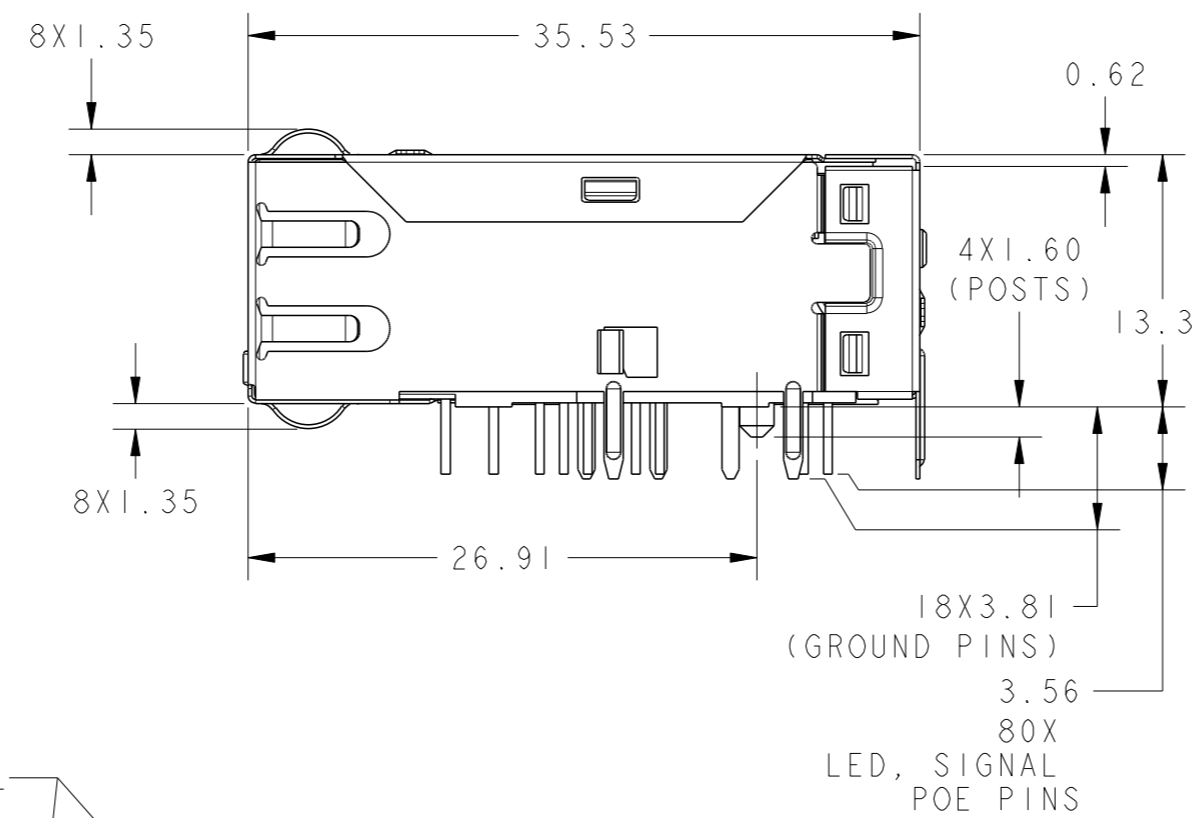
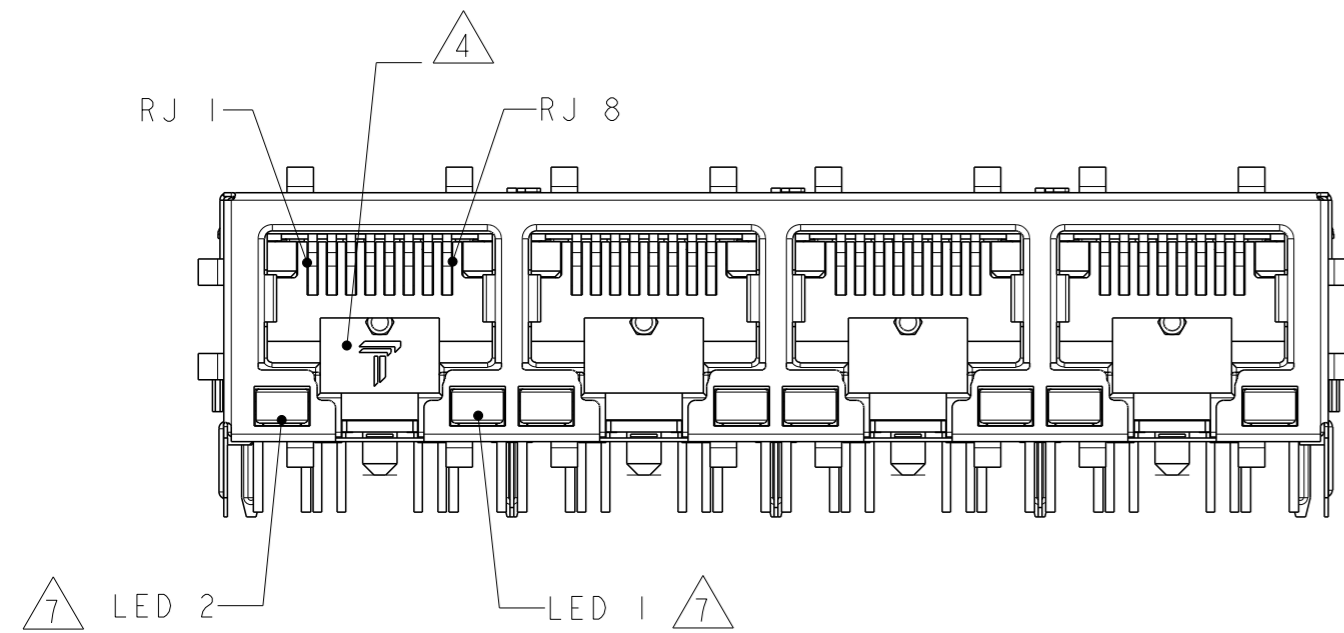
5. ALL DIMENSIONS ARE NOMINAL UNLESS OTHERWISE NOTED.

6. TRP CONNECTOR LOGO, PART NUMBER, DATE CODE, COUNTRY OF ORIGIN, AND AGENCY APPROVAL MARKING IN APPROXIMATE LOCATION SHOWN, DATE CODE: YYWWD WHERE YY IS YEAR, WW IS WORK WEEK, D IS DAY OF WEEK, WITH SUNDAY=1.

7. LEDS ARE DRIVEN WITH CONSTANT CURRENT AT APPROX 20mA.
 LED COLOR:
 DOMINANT WAVELENGTH (λD): GREEN 568nm TYP. at IF=20mA
 FORWARD VOLTAGE (VF): GREEN 2.2V TYP. at IF=20mA
 DOMINANT WAVELENGTH (λD): ORANGE 605nm TYP. at IF=20mA
 FORWARD VOLTAGE (VF): ORANGE 2.1V TYP. at IF=20mA

8. DATUM Y AND BASIC DIMENSION ESTABLISH BY CUSTOMER.

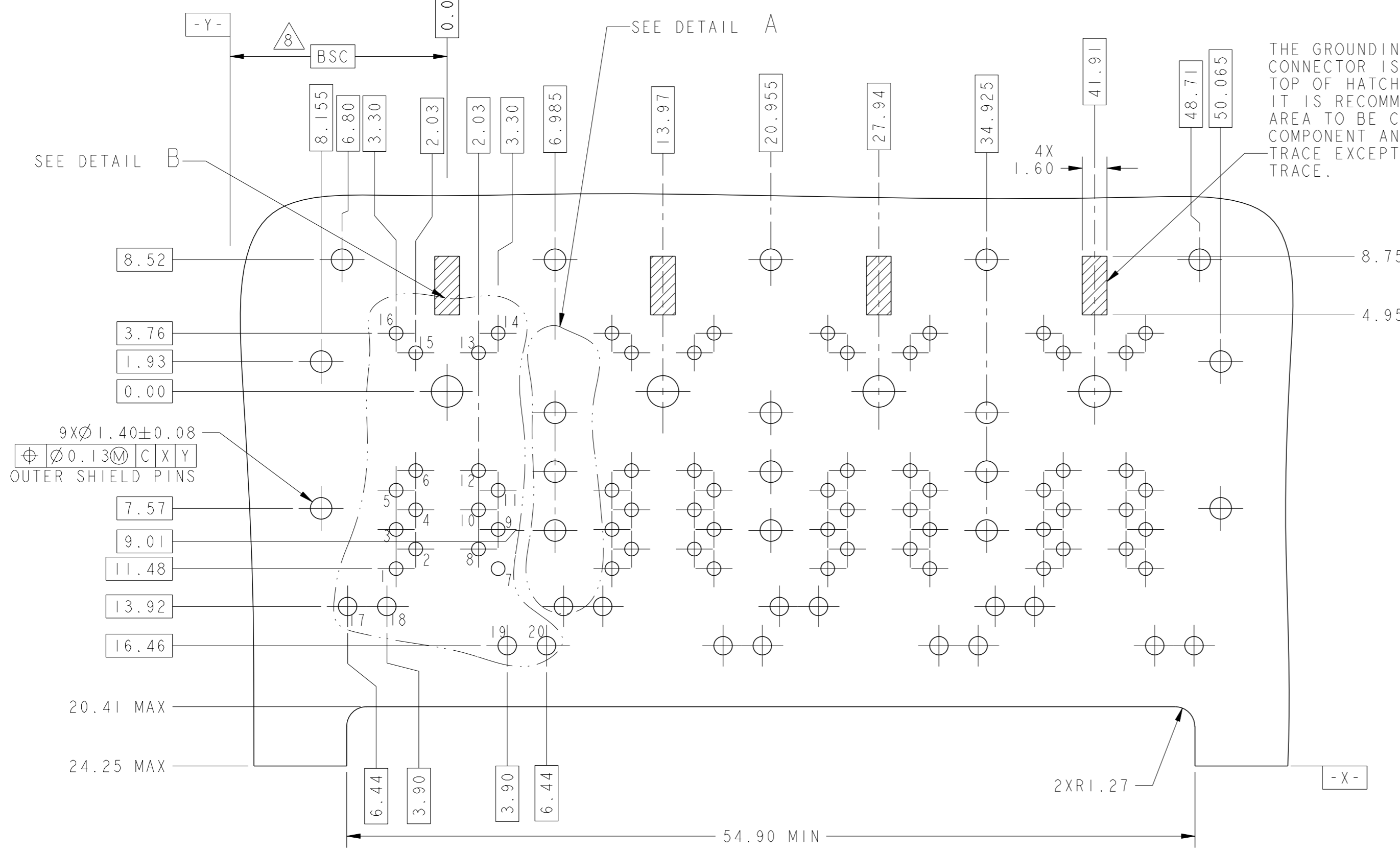
9. THE PART IS COMPLIANT WITH WAVE SOLDERING PROCESS, PREHEAT TEMPERATURE IS 120°C TO 160°C, 120 SECONDS TO 180 SECONDS, PEAK SOLDERING TEMPERATURE IS 260°C MAX, 10 SECONDS MAX.



ORANGE	GREEN	ORANGE	GREEN	2250837-1
18	17	17	18	20
19	19	19	20	
LED 2		LED 1		PART NUMBER

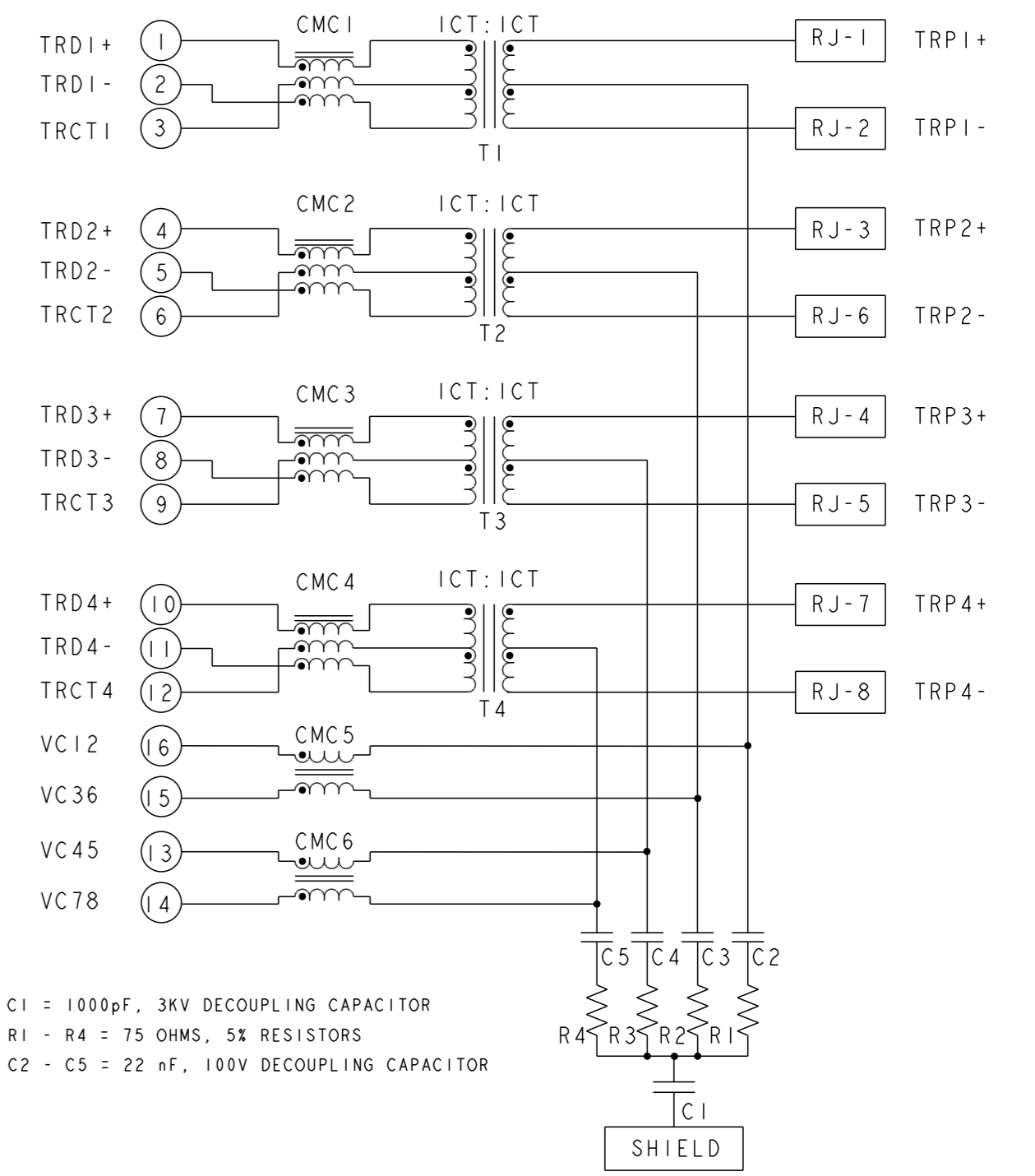
THIS DRAWING IS A CONTROLLED DOCUMENT, AND COMPLIANT TO ASME Y14.5M		DWN: 08DEC2022 JARRY YE/XENIA WANG		trp CONNECTOR a bel group DONGGUAN CHINA
DIMENSIONS: mm		CHK: 08DEC2022 TOWER YU/BILL LIU		
TOLERANCES UNLESS OTHERWISE SPECIFIED:		APVD: 08DEC2022 TONY YUAN		DESC: 1X4 4UTG05 10G 100W 4PPOE TAB DOWN W/ LED SIZE: A2 CAGE CODE: G-2250837 DRAWING NO: C-2250837 RESTRICTED TO: -
0 PLC ±0.25 1 PLC ±0.25 2 PLC ±0.25 3 PLC ±0.25 4 PLC ±0.25 ANGLES ±		MODEL NAME: MAGJACK GANG 4PPoE PRODUCT SPEC: 108-104004 APPLICATION SPEC: -		
		CUSTOMER DRAWING		SCALE: NTS SHEET 1 OF 3 REV 2

© COPYRIGHT TRP connector ALL RIGHTS RESERVED



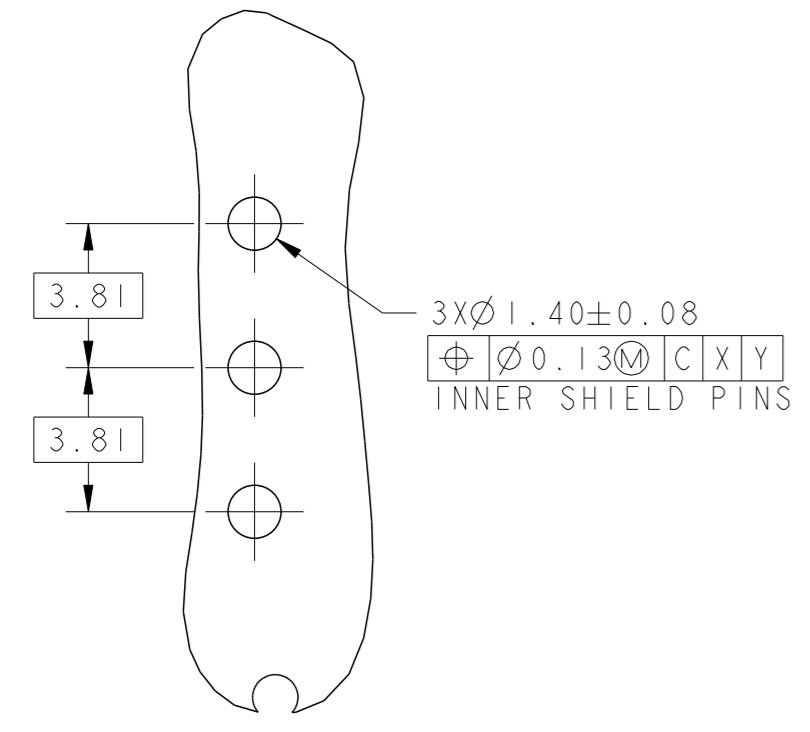
THE GROUNDING TAB OF CONNECTOR IS ON THE TOP OF HATCHED AREA, IT IS RECOMMENDED THIS AREA TO BE CLEAR OF ANY COMPONENT AND CIRCUIT TRACE EXCEPT GROUNDING TRACE.

4UTG05 10 GIGABIT 100W CIRCUIT

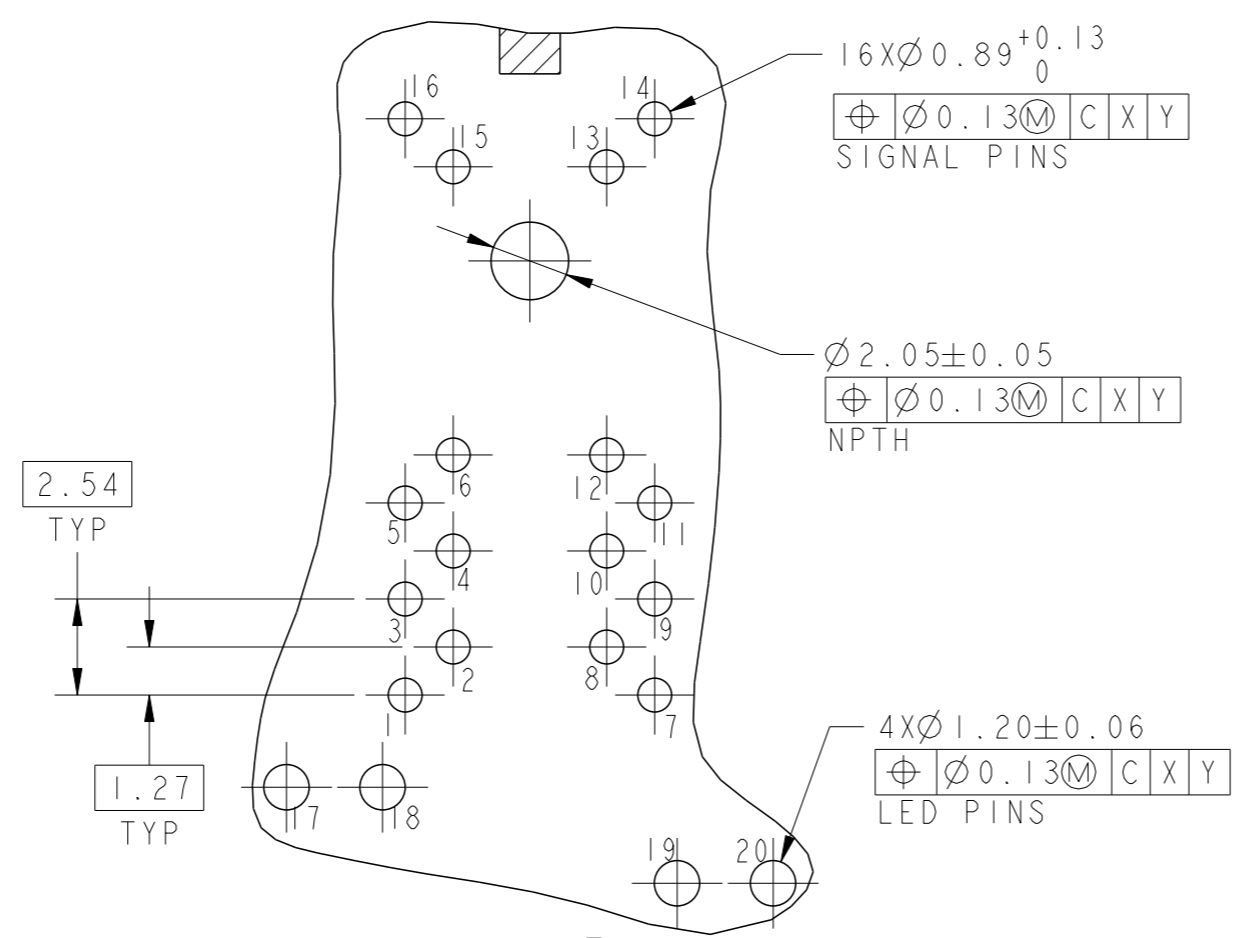


C1 = 1000pF, 3KV DECOUPLING CAPACITOR
 R1 - R4 = 75 OHMS, 5% RESISTORS
 C2 - C5 = 22 nF, 100V DECOUPLING CAPACITOR

RECOMMENDED PC BOARD LAYOUT (VIEWED FROM COMPONENT SIDE)



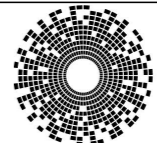
DETAIL A
3X
SCALE 5:1



DETAIL B
4X
SCALE 5:1

THIS DRAWING IS A CONTROLLED DOCUMENT, AND COMPLIANT TO ASME Y14.5M		DWN JARRY YE/XENIA WANG 08DEC2022	 a bel group DONGGUAN CHINA
DIMENSIONS: mm		CHK TOWER YU/BILL LIU 08DEC2022	
TOLERANCES UNLESS OTHERWISE SPECIFIED:		APVD TONY YUAN 08DEC2022	DESC 1X4 4UTG05 10G 100W 4PPOE TAB DOWN W/ LED
0 PLC ±0.25 1 PLC ±0.25 2 PLC ±0.25 3 PLC ±0.25 4 PLC ±0.25		MODEL NAME MAGJACK GANG 4PPOE	SIZE A2
ANGLES APPLICATION SPEC ±		PRODUCT SPEC 108-104004	CAGE CODE C-2250837
		CUSTOMER DRAWING	
		SCALE NTS	SHEET 2 OF 3
		REV 2	

2250837					STOCK DISPOSITION			
1X4 MAG45 MODULAR JACK, 4UTG05 SERIES, 10G, 4PPoE, TAB DOWN					A:CONTINUE AS IS		D:USE OLD FIRST	
REVISION HISTORY					B:REWORK		E:PARTS TO CONFORM	
					C:SCRAP		F:OTHER	
DATE	REV	CHANGE	REASON	APPROVAL	INVENTORY (A,B,C,D,E,F)	WORK IN PROCESS (A,B,C,D)	SUPPLIER ORDERS (A,E,F)	OPEN CUST ORDERS (A,E,F)
08DEC2022	1	-	INITIAL RELEASE	TONY YUAN	-	-	-	-
07JUN2023	2	CHANGE CI CAPACITOR FROM 2KV TO 3KV, CHANGE LEDS COLOER FROM GREEN/YELLOW TO GREEN/ORANGE, CHANGE PIN LENGTH FROM 2.86mm TO 3.56mm.	MARKET REQUIREMENT	TONY YUAN	-	-	-	-

THIS DRAWING IS A CONTROLLED DOCUMENT. AND COMPLIANT TO ASME Y14.5M		DWN JARRY YE/XENIA WANG 08DEC2022	 trp CONNECTOR a bel group	DONGGUAN CHINA											
DIMENSIONS: mm		CHK TOWER YU/BILL LIU 08DEC2022		DESC 1X4 4UTG05 10G 100W 4PPOE TAB DOWN W/ LED											
TOLERANCES UNLESS OTHERWISE SPECIFIED:		APVD TONY YUAN 08DEC2022	MODEL NAME MAGJACK GANG 4PPoE		RESTRICTED TO -										
<table border="0"> <tr><td>0 PLC</td><td>±0.25</td></tr> <tr><td>1 PLC</td><td>±0.25</td></tr> <tr><td>2 PLC</td><td>±0.25</td></tr> <tr><td>3 PLC</td><td>±0.25</td></tr> <tr><td>4 PLC</td><td>±0.25</td></tr> </table>		0 PLC	±0.25	1 PLC	±0.25	2 PLC	±0.25	3 PLC	±0.25	4 PLC	±0.25	SIZE A2		DRAWING NO G-2250837	
0 PLC	±0.25														
1 PLC	±0.25														
2 PLC	±0.25														
3 PLC	±0.25														
4 PLC	±0.25														
PRODUCT SPEC 108-104004		APPLICATION SPEC -		SCALE NTS	SHEET 3 OF 3 REV 2										
			CUSTOMER DRAWING												

Mouser Electronics

Authorized Distributor

Click to View Pricing, Inventory, Delivery & Lifecycle Information:

[Bel:](#)

[2250837-1](#)