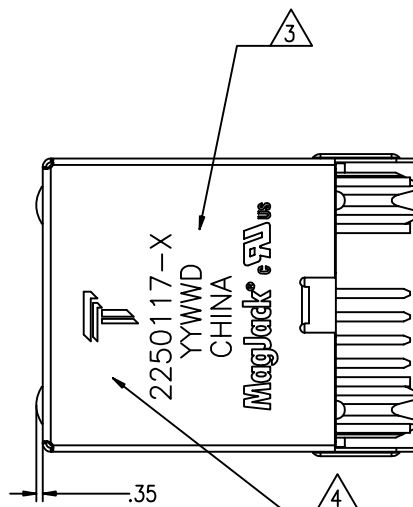
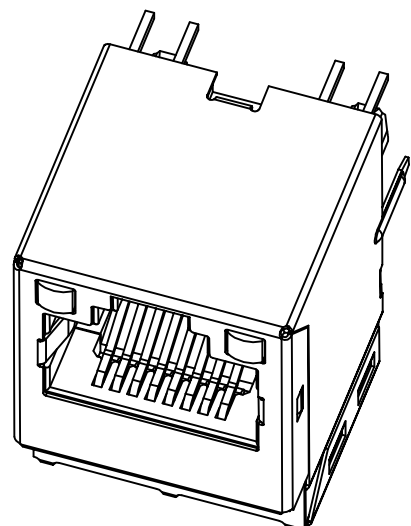


THIS DRAWING AND THE SUBJECT MATTER SHOWN THEREON ARE CONFIDENTIAL AND THE PROPERTY OF BEL/STEWART/TRP CONNECTOR AND SHALL NOT BE REPRODUCED, COPIED, OR USED IN ANY MANNER WITHOUT THE WRITTEN CONSENT OF TRP CONNECTOR.

PRODUCT MAY BE PROTECTED BY ONE OR MORE OF THE FOLLOWING US PATENTS:
 5736910 5939955 6425781 6428361 6554638 6840817 7123117
 7429195 7717749 7808751 6217391 6149050 7924130

REVISIONS				
P	LTR	DESCRIPTION	DATE	APVD
2		EC-1411035, COMPANY LOGO CHANGE	19DEC2014	JC TY



1 MATERIALS:
 PLASTIC HOUSING: BLACK, THERMOPLASTIC FLAMMABILITY RATING UL 94V-0
 SHIELD: BRASS, PREPLATED WITH 0.76um MIN SEMI-BRIGHT NICKEL, POST DIPPED WITH 2.54um MIN SAC SOLDER ON SOLDER TAILS,
 CONTACTS: PHOSPHOR BRONZE, 1.27um MIN OVERALL NICKEL UNDERPLATE WITH SELECT 1.27um MIN GOLD AT MATING INTERFACE AND 2.54um MIN MATTE TIN ON SOLDER TAILS.
 ALL PC BOARDS: HIGH TEMP PCB, TG>170°C
 LED: DIFFUSED EPOXY LENS, 0.50mm SQUARE CARBON STEEL WIREFRAME LEADS PREPLATED WITH 2.03um MIN SILVER OVER 1.02um MIN NICKEL OVER 1.02um MIN COPPER UNDERPLATE POST PLATED WITH 2.54um MIN TIN

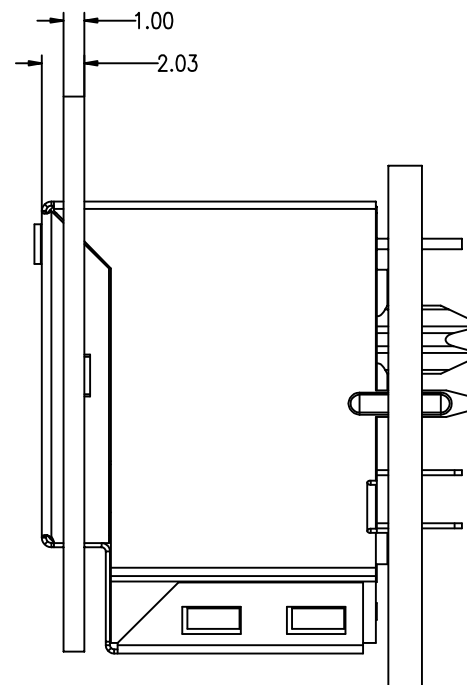
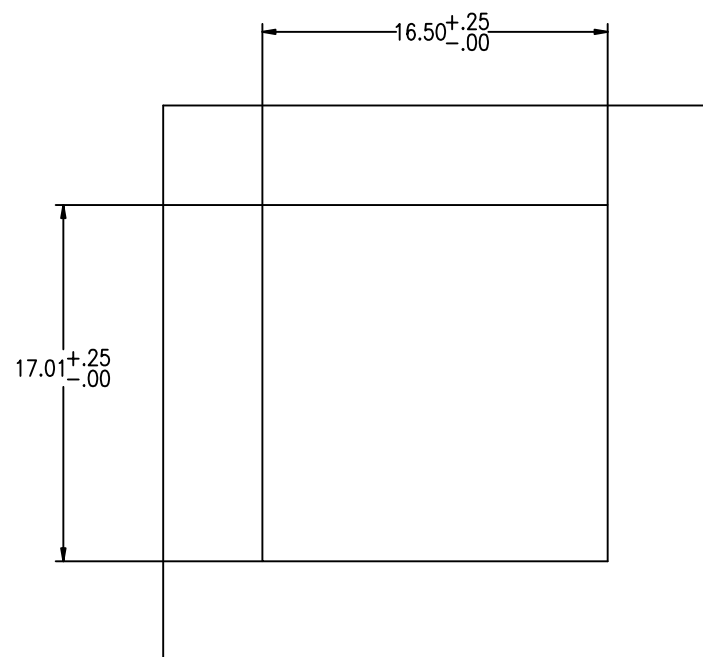
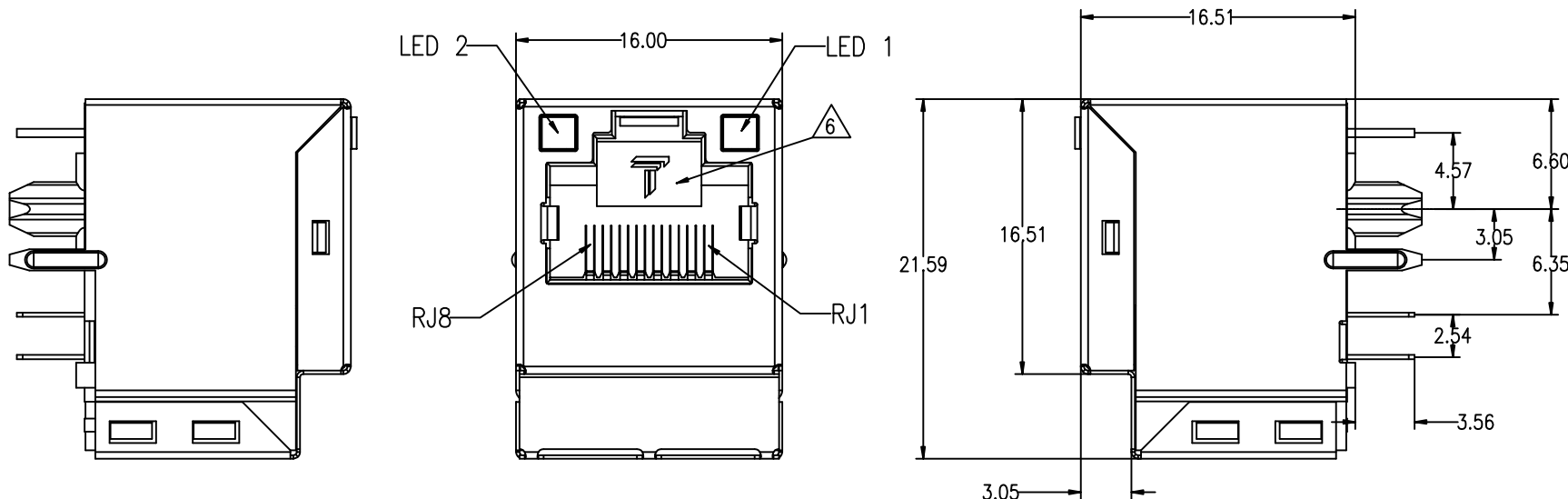
2 MAGNETICS
 APPLICATION: 10/100 BASE-T, EXTENDED TEMPERATURE, PoE
 IMPEDANCE: 100 OHMS
 TURNS RATIO (CHIP:CABLE): TX = 1:1, RX = 1:1
 OPEN CIRCUIT INDUCTANCE (OCL): 350uH MIN @100kHz, 0.1VRMS, 8mADC BIAS FROM -40°C TO +85°C
 120uH MIN @100kHz, 0.1VRMS, 19mADC BIAS FROM -40°C TO +85°C

POE CURRENT: 600mADC MAX
 PERFORMANCE @ 25 °C:
 INSERTION LOSS (IL): 1.1dB MAX FROM 0.5MHz TO 100MHz
 RETURN LOSS (RL): 18dB MIN FROM 0.5MHz TO 30MHz
 18-20LOG(f/30)dB MIN FROM 30.1MHz TO 60MHz
 12dB MIN FROM 60.1MHz TO 80MHz
 CROSSTALK ATTENUATION: 35dB MIN FROM 0.5MHz TO 40MHz
 33-20LOG(f/50)dB MIN FROM 40.1MHz TO 100MHz
 COMMON MODE REJECTION RATIO (CMRR): 30dB MIN FROM 0.5MHz TO 100MHz
 ISOLATION VOLTAGE: COMPLIES WITH IEEE802.3af 2003, PARA 33.4.1, ITEM a.

- 3** PART NUMBER, DATE CODE AND COUNTRY OF ORIGIN LOCATED IN APPROXIMATE AREA SHOWN.
- 4** TRP CONNECTOR LOGO AND AGENCY APPROVAL LOGO, TO BE LOCATED IN APPROXIMATE AREA SHOWN.
- 5** OPERATING TEMP: FROM -40°C TO +85 °C
- 6** RJ45 CAVITY CONFORMS TO FCC RULES AND REGULATION PART 68 SUBPART F.
- 7** THE PARTS ARE RECOMMENDED FOR WAVE SOLDERING PROCESS, PEAK TEMPERATURE 260° C MAX.10 SECONDS MAX.
- 8** LED IS DRIVEN WITH CONSTANT CURRENT AT APPROX 20mA.

DOMINANT WAVELENGTH{λD}
 GREEN 568nm TYP.at IF=20mA
 YELLOW 588nm TYP.at IF=20mA

FORWARD VOLTAGE{VF}
 GREEN 2.2V TYP.at IF=20mA
 YELLOW 2.1V TYP.at IF=20mA



YELLOW	GREEN	2250117-3
LED 1	LED 2	PART NUMBER

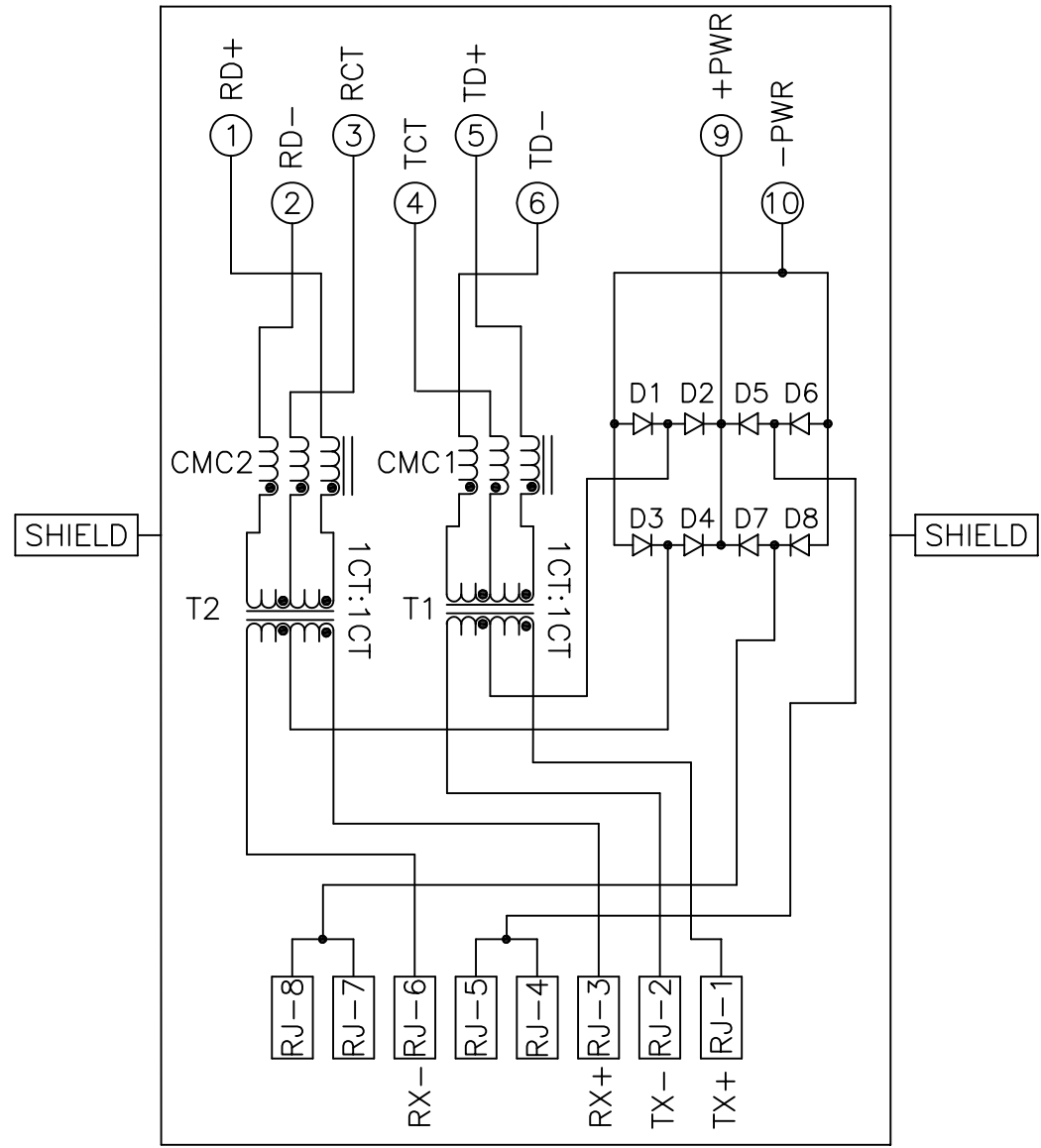
THIS DRAWING IS A CONTROLLED DOCUMENT.		DWN JAMISON CHEN 06SEP2013	 trp CONNECTOR a bel group DONGGUAN CHINA
DIMENSIONS: mm		CHK QUENTIU LIU 06SEP2013	
TOLERANCES UNLESS OTHERWISE SPECIFIED:		APVD TONY YUAN 06SEP2013	
0 PLC - 1 PLC - 2 PLC ±0.25 3 PLC - 4 PLC - ANGLES - APPLICATION SPEC -		MODEL NAME	
PRODUCT SPEC		MAGJACK SINGLE PoE PLUS	DESC 1X1 MAGJACK 10/100 PoE PLUS CIRCUIT, VERTICAL, W/ LED
-		SIZE A2	CAGE CODE C=2250117
-		CUSTOMER DRAWING	RESTRICTED TO -
-		SCALE NTS	SHEET 1 OF 2 REV 2

THIS DRAWING AND THE SUBJECT MATTER SHOWN THEREON ARE CONFIDENTIAL AND THE PROPERTY OF BEL/STEWART/TRP CONNECTOR AND SHALL NOT BE REPRODUCED, COPIED, OR USED IN ANY MANNER WITHOUT THE WRITTEN CONSENT OF TRP CONNECTOR.

PRODUCT MAY BE PROTECTED BY ONE OR MORE OF THE FOLLOWING US PATENTS:
5736910 5939955 6425781 6428361 6554638 6840817 7123117
7429195 7717749 7808751 6217391 6149050 7924130

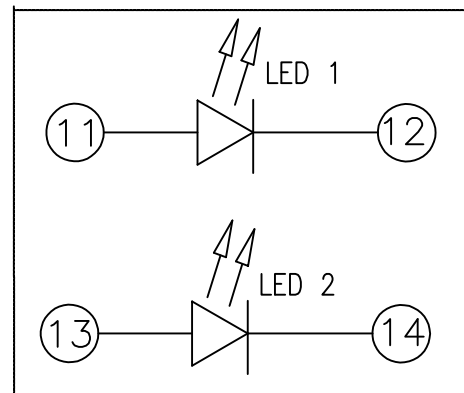
REVISIONS				
P	LTR	DESCRIPTION	DATE	APVD
rev_sym_1	1EC-1411035	COMPANY LOGO CHANGE	10JUN201#ev_dwev_lappr_1	

10/100 BASE-T POE CIRCUIT

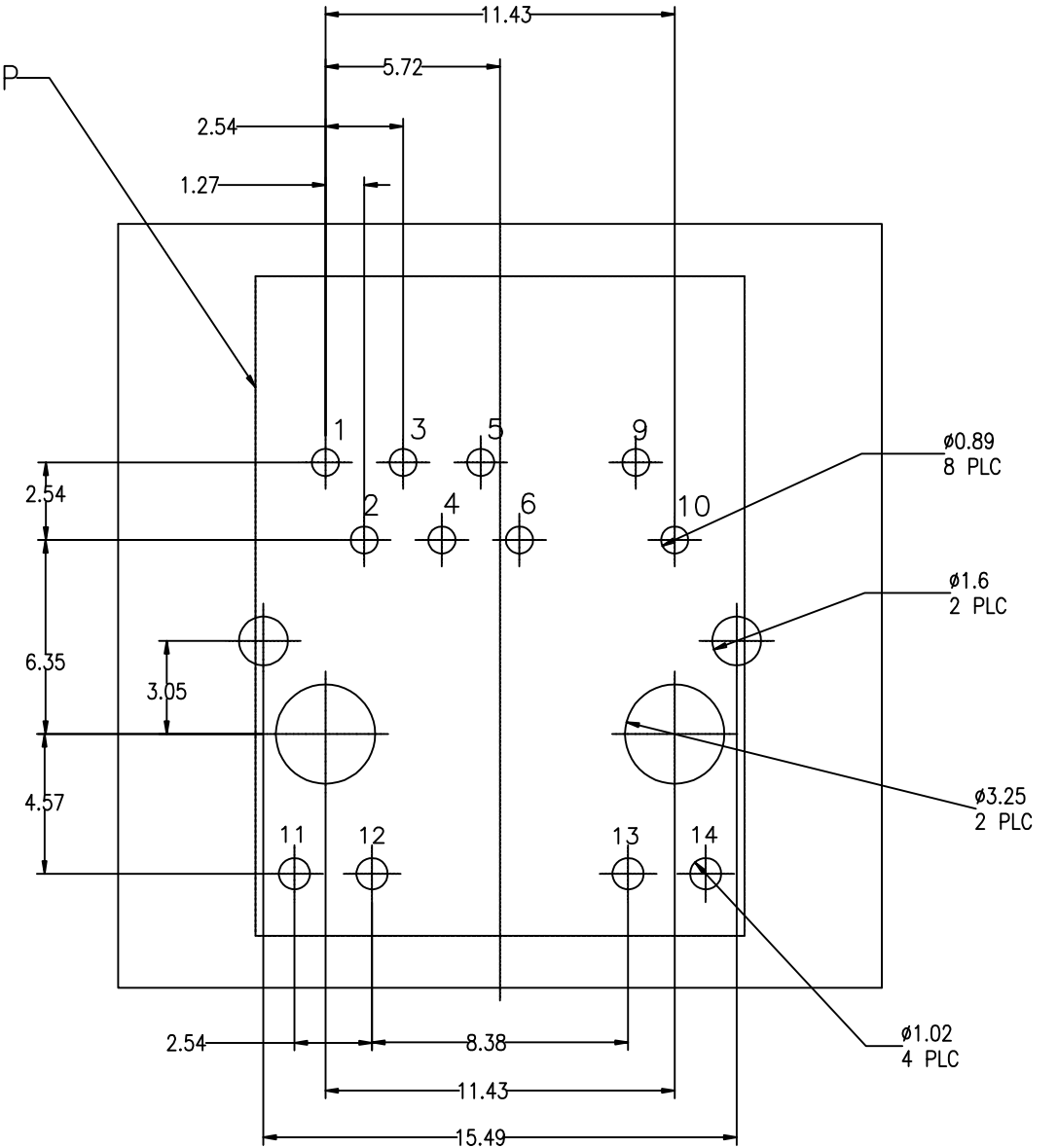


D1-D8 = Rectifier Diode
 Forward Current, $I_f = 0.9A$ Max
 Reverse Voltage, $V_r = 80V$ Max


SINGLE COLOR LED



CONNECTOR ENVELOPE



SUGGESTED PCB LAYOUT(TOL: ±0.05)
 (COMPONENT SIDE VIEW)

THIS DRAWING IS A CONTROLLED DOCUMENT.		DWN JAMISON CHEN 06SEP2013	 DONGGUAN CHINA
DIMENSIONS:		CHK QUENTIU LIU 06SEP2013	
TOLERANCES UNLESS OTHERWISE SPECIFIED:		APVD TONY YUAN 06SEP2013	
0 PLC - 1 PLC - 2 PLC ±0.25 3 PLC - 4 PLC - ANGLES - APPLICATION SPEC	MODEL NAME MAGJACK SINGLE PoE PLUS	DESC 1X1 MAGJACK 10/100 PoE PLUS CIRCUIT, VERTICAL, W/ LED	RESTRICTED TO
PRODUCT SPEC	SIZE A2	CAGE CODE C=2250117	DRAWING NO C=2250117
CUSTOMER DRAWING		SCALE	SHEET 2 OF 2
			REV 2

Mouser Electronics

Authorized Distributor

Click to View Pricing, Inventory, Delivery & Lifecycle Information:

[Bel:](#)

[2250117-3](#)