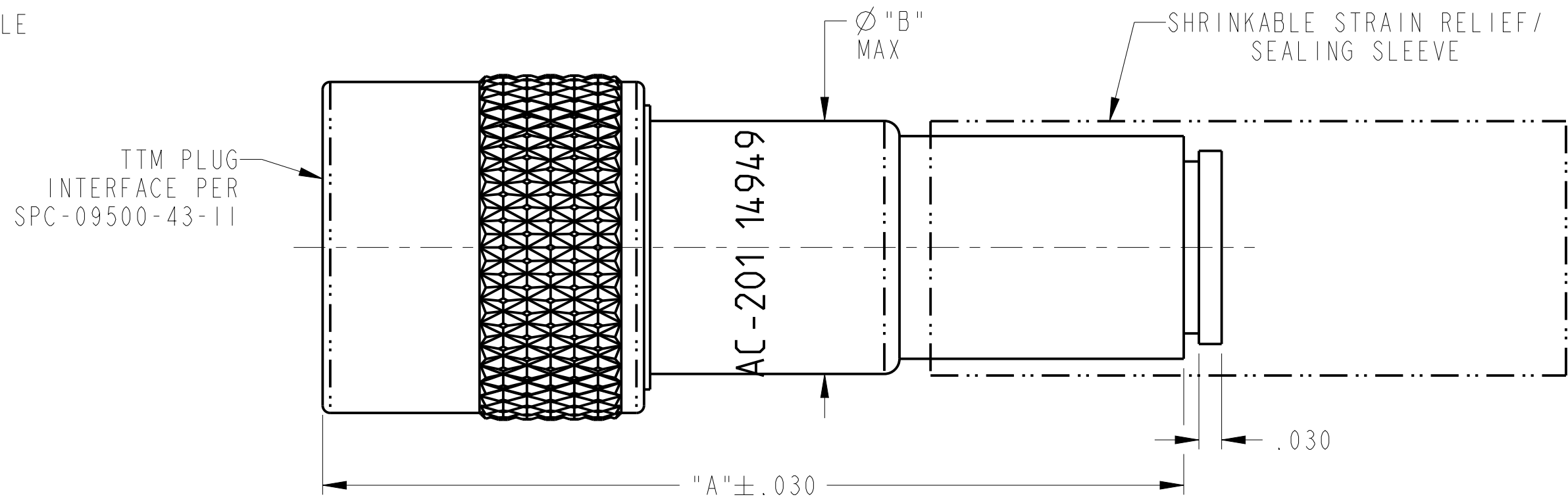
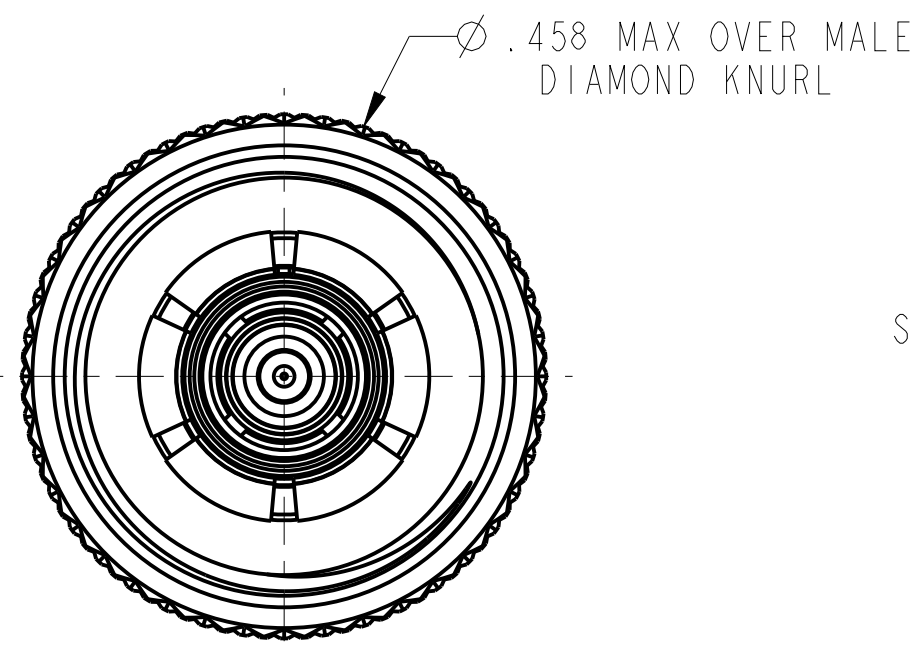
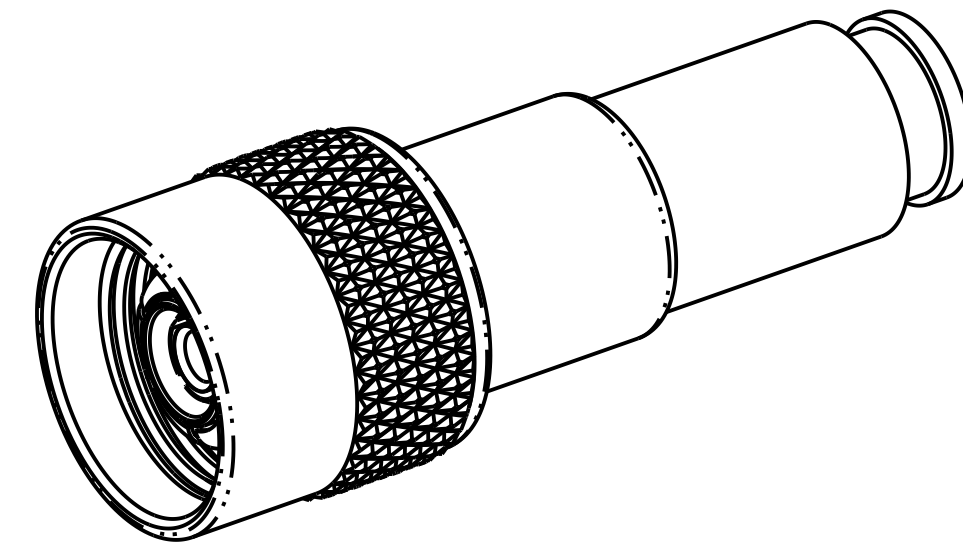


MODEL NO	CABLES ACCOMMODATED	"A"	Ø "B"	ASSEMBLE PER
PL3155AC-201	M17/176-00002	1.146	.339	TAI-143
PL3155AC-202	TWC-78-1			
PL3155AC-203	TWC-124-1A			
PL3155AC-204	10602, RAYCHEM			
PL3155AC-205	TWAC-78-1F2			
PL3155AC-206	782600130, RAYCHEM			
PL3155AC-210	B451 BELDEN	1.352	.442	TAI-167
PL3155AC-213	TWC-78-2			TAI-144
PL3155AC-215	BL-982 TIMES			
PL3155AC-217	GC875TM24H, GRUMMAN	1.146	.339	TAI-143
PL3155AC-221	10614, RAYCHEM			
PL3155AC-222	10613, RAYCHEM			
PL3155AC-223				
PL3155AC-303	7528A5314, RAYCHEM			TAI-153
PL3155AC-306	TRC-50-2 M17/134-00002	1.352	.442	TAI-173
PL3155AC-309	TRC-50-1	1.146	.339	TAI-153

REV	ECO	DATE
L	12388	4/8/98
M	53980	1/30/12



NOTES: UNLESS OTHERWISE SPECIFIED.

1. MATERIAL & FINISH:
 - 1.1 BODY, COUPLING SLEEVE & CRIMP BUSHING: NICKEL PLATED BRASS
 - 1.2 INSULATOR & DIELECTRIC: PTFE (TEFLON)
 - 1.3 FINGER SPRING: NICKEL PLATED BERYLLIUM COPPER
 - 1.4 INTERMEDIATE CONTACT: GOLD PLATED BERYLLIUM COPPER
 - 1.5 CENTER CONTACT: GOLD PLATED BRASS
 - 1.6 GASKET: SILICONE RUBBER

2. ELECTRICAL:
 - 2.1 FREQUENCY (MAX): 500 MHz
 - 2.2 IMPEDANCE: NON-CONSTANT

3. EXAMPLE OF COMPLETE MODEL NUMBER:

PL3155ACX-201

— CABLE GROUP DASH NO.

— ADD "S" FOR SAFETY WIRE VERSION

— BASIC MODEL NO.

PL3155AC-201 SHOWN

	MODEL NO.	PL3155ACX-XXX		<h1>TROMPETER</h1>		
	RoHS2 <input checked="" type="checkbox"/> 2011/65/EU	CAGE CODE	14949			TITLE
<small>THIS PROPRIETARY DOCUMENT IS PROPERTY OF EMERSON NETWORK POWER CONNECTIVITY SOLUTIONS. IT IS CONFIDENTIAL IN NATURE. NON-TRANSFERABLE, AND ISSUED WITH A CLEAR UNDERSTANDING THAT IT IS NOT TO BE REPRODUCED OR COPIED WITHOUT PERMISSION AND IS RETURNABLE UPON DEMAND.</small>	UNLESS OTHERWISE SPECIFIED	DRAWN BY	DATE	DRAWING NO.	REV.	FINISH
	UNITS: INCH	C. WALLACE	2/13/12	C_310-0062	M	
	.XX ± .03	APPROVED BY	DATE	SIZE	SCALE	SHEET
	.XXX ± .005	C. MONAHAN	2/14/12	C	DO NOT SCALE DRAWING	SCALE 3:1
.XXXX ±	ANGLE ±					

Mouser Electronics

Authorized Distributor

Click to View Pricing, Inventory, Delivery & Lifecycle Information:

[Cinch Connectivity Solutions:](#)

[PL3155AC-202](#)