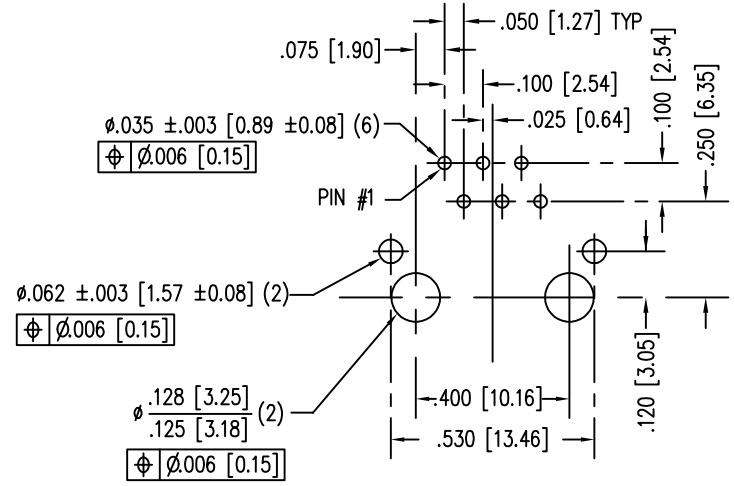
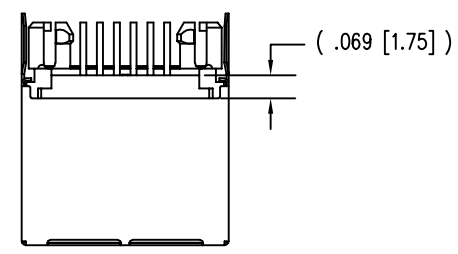
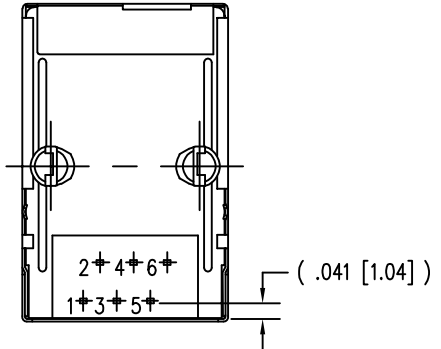
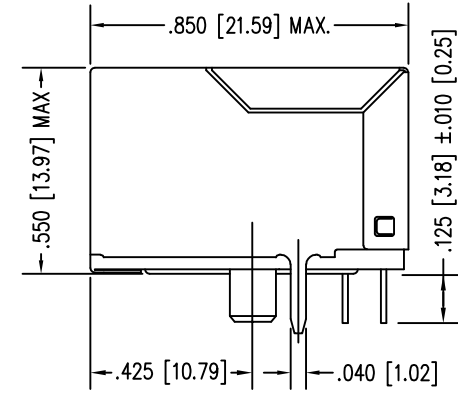
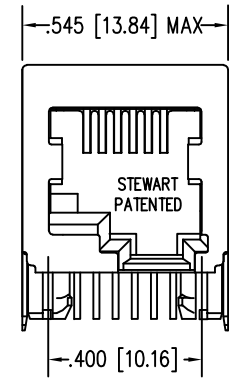


| DATE    | REV | ECN   | APP'D. BY |
|---------|-----|-------|-----------|
| 9-21-17 | A8  | 11098 | TRM       |
| 4-25-18 | A9  | 11235 | TRM       |
|         |     |       |           |
|         |     |       |           |

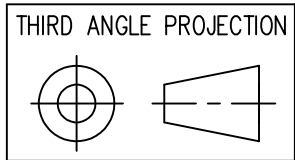


P.C.B. RECOMMENDED HOLE LAYOUT  
SEEN FROM COMPONENT SIDE

ALL CENTERLINE DIMENSIONS ARE BASIC.

- NOTES:
- CONNECTOR MATERIALS:  
HOUSING: THERMOPLASTIC UL94 V-0  
CONTACTS/SHIELD: COPPER ALLOY  
SHIELD PLATING: TIN  
CONTACT PLATING: SELECTIVE GOLD IN CONTACT AREA  
SEE CHART FOR PART NUMBER
  - FOR PRODUCT SPECIFICATIONS SEE PR022-01.
  - DIMENSIONS AND TOLERANCES COMPLY WITH TIA-1096 STANDARD.

|                                   |                    |
|-----------------------------------|--------------------|
| 30 MICRO-INCHES [0.76um]          | SS-6466S-A-PG1-OST |
| CONTACT PLATING<br>IN MATING AREA | PART NUMBER        |



1118 Susquehanna Trail South  
Glen Rock, PA 17327-9199  
(717) 235-7512

DO NOT SCALE DRAWING  
DRAWING IS SUBJECT TO  
CHANGE WITHOUT NOTICE

DIMENSIONS: INCHES [METRIC]

UNLESS OTHERWISE SPECIFIED  
TOLERANCES ARE ±.005 [0.13]  
ANGLES ARE ± 1°

SHEET NO. 1 OF 1

TITLE: EMI-RFI ONE PIECE SHIELDED, ESD GROUNDED, 6 X 6 JACK,  
NO SIDE PANEL GROUNDS, OFFSET TAB LOCATION

THIS DRAWING AND THE SUBJECT MATTER SHOWN THEREON  
ARE CONFIDENTIAL AND THE PROPRIETARY PROPERTY OF  
STEWART CONNECTOR AND SHALL NOT BE REPRODUCED,  
COPIED, OR USED IN ANY MANNER WITHOUT PRIOR WRITTEN  
CONSENT OF STEWART CONNECTOR. ONE OR MORE U.S. PATENTS  
MAY APPLY TO THIS PRODUCT. FOR DETAILS, PLEASE  
VISIT: [HTTP://BELFUSE.COM/STEWART/STEWART\\_PATENTS/](http://BELFUSE.COM/STEWART/STEWART_PATENTS/)

|                  |              |
|------------------|--------------|
| DRN BY: JAF      | DATE 1-30-06 |
| APPD BY: JM      | DATE 1-30-06 |
| DWG NO. CT640215 | REV. A9      |



# Mouser Electronics

Authorized Distributor

Click to View Pricing, Inventory, Delivery & Lifecycle Information:

Bel:

[SS-6466S-A-PG1-OST](#)