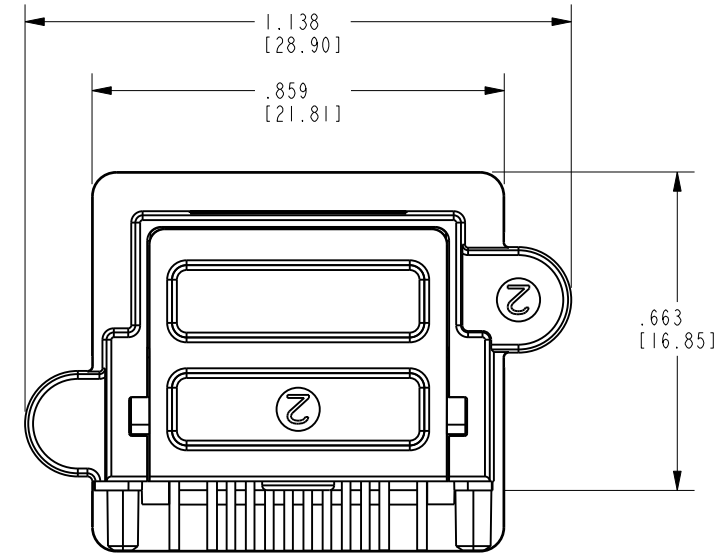
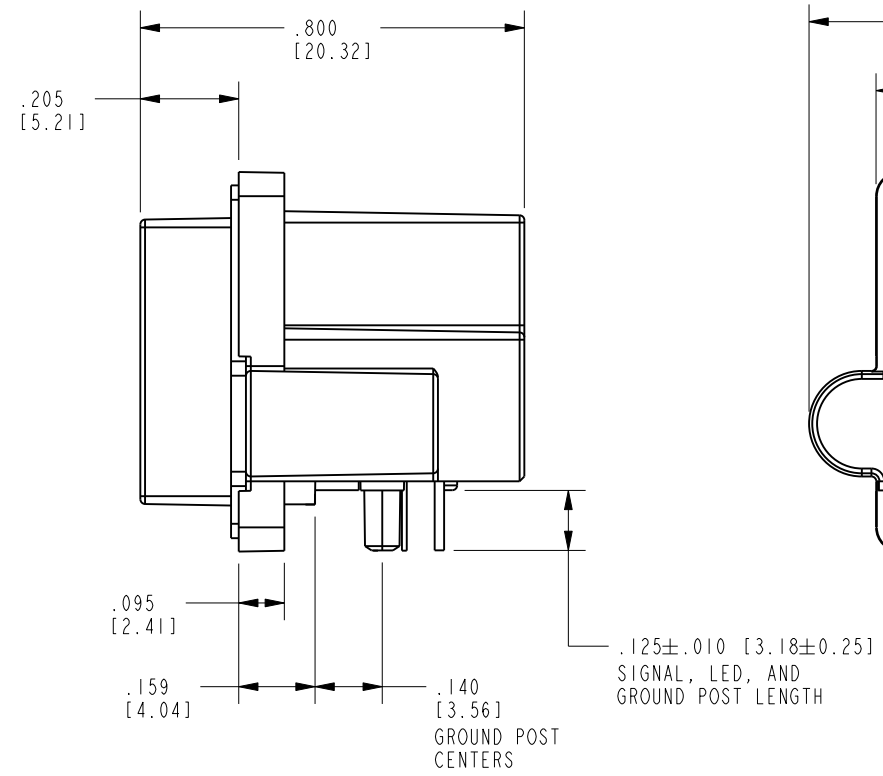
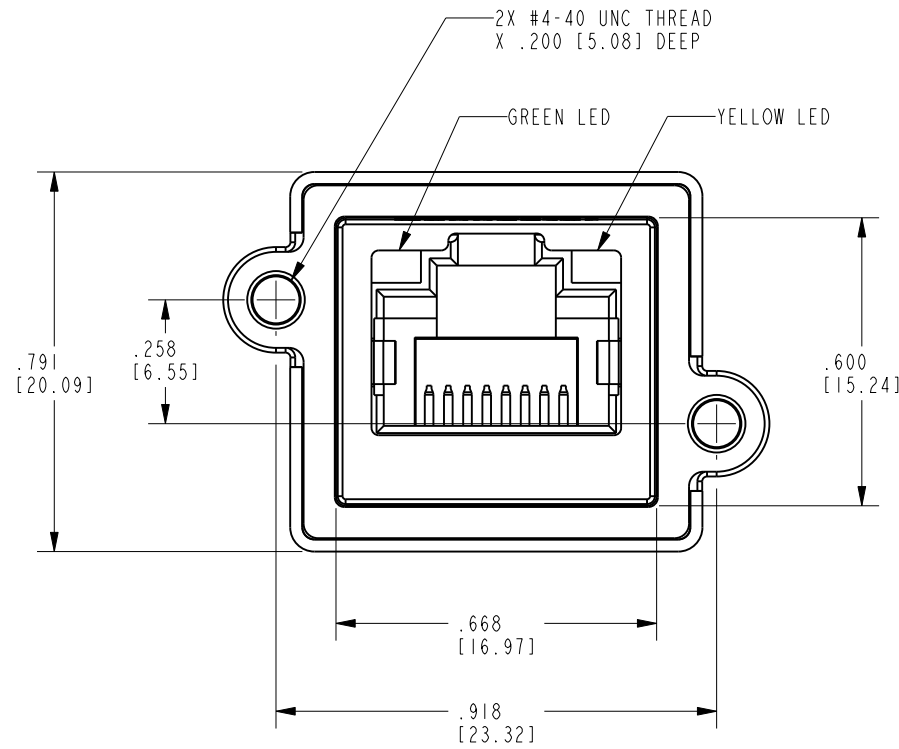
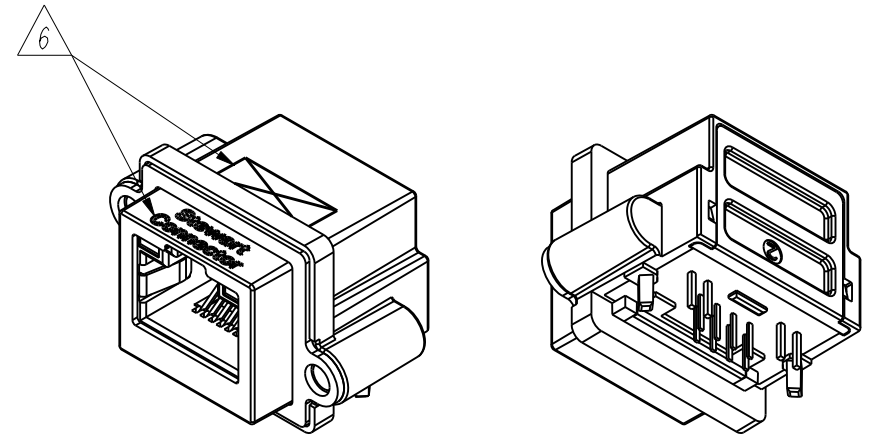
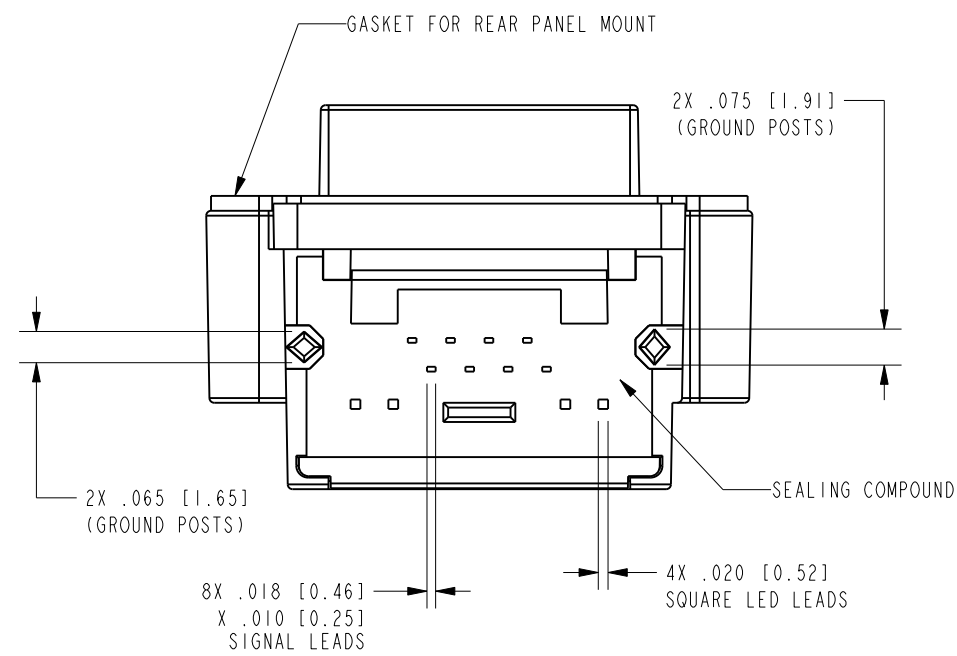


DATE	REV.	ECN	APP'D BY
12-18-17	X0	-	DHG
8-24-18	A0	-	ADB



- NOTES:
- CONNECTOR MATERIALS:  
HOUSING/INSERT: THERMOPLASTIC UL94 V-0  
SHIELDS: ZINC DIE-CAST ALLOY  
SHIELD PLATING: TIN OVER COPPER  
CONTACTS AND GROUND SPRINGS: COPPER ALLOY  
CONTACT PLATING: SEE TABLE BELOW  
GROUND SPRING PLATING: NICKEL  
GASKET: SILICONE RUBBER  
SILICONE SEALING COMPOUND IN REAR OF JACK
  - PRODUCT INTENDED FOR CATEGORY 6 APPLICATIONS.
  - DIMENSIONS AND TOLERANCES COMPLY WITH TIA-1096 STANDARD.
  - REFERENCE PRODUCT SPECIFICATION PR042-01.
  - ENVIRONMENTAL PERFORMANCE PER IEC 60529 CODE IP67, FOR CONNECTOR AND PANEL INTERFACE. REFER TO INSTRUCTION SHEET MN600001 FOR INSTALLATION GUIDELINES.
- △ PRODUCT MARKED WITH COMPANY LOGO, PART NUMBER, AND MANUFACTURING DATE / LOCATION IN AREAS AS SHOWN.



50 MICRO-INCHES [1.27um]	SS-60400-021
CONTACT PLATING IN MATING AREA	PART NUMBER

THIRD ANGLE PROJECTION

DO NOT SCALE DRAWING  
DRAWING IS SUBJECT TO  
CHANGE WITHOUT NOTICE

DIMENSIONS: INCHES [METRIC]

UNLESS OTHERWISE SPECIFIED  
TOLERANCES ARE ±.005 [0.13]  
ANGLES ARE ±1°

SHEET NO.  
1 OF 2

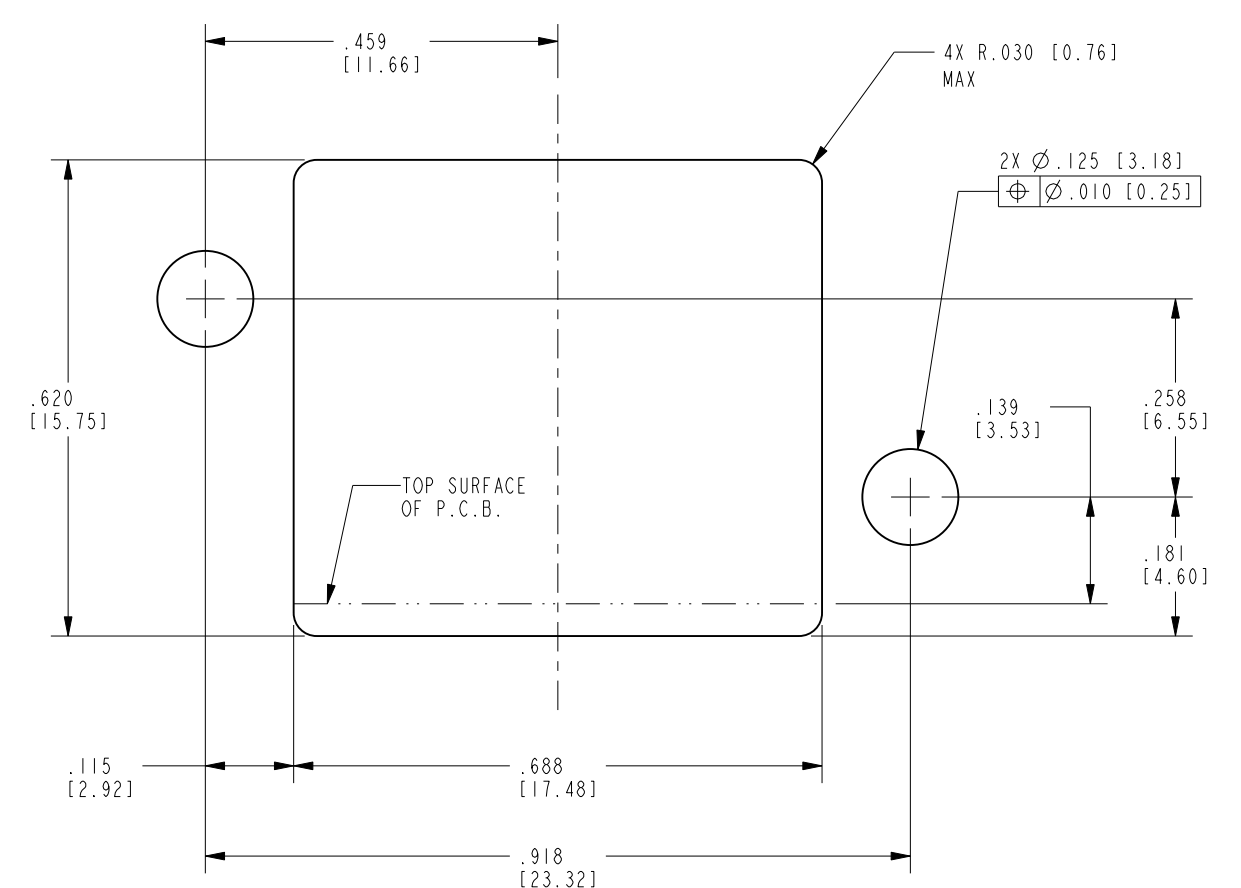
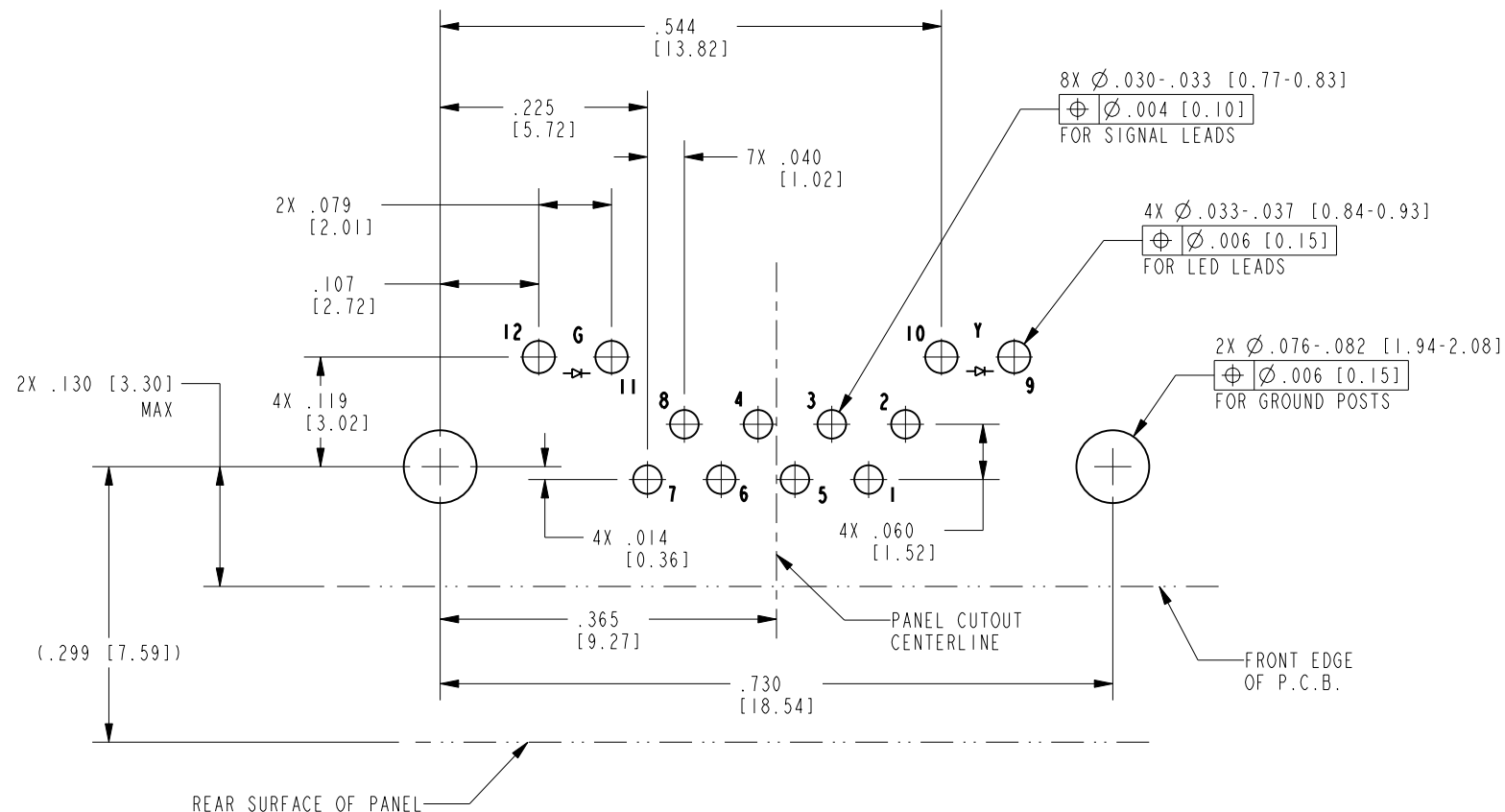
**stewart**  
CONNECTOR  
a bel group

11118 Susquehanna Trail South  
Glen Rock, PA 17327-9199  
(717) 235-7512  
<http://www.stewartconnector.com>

TITLE: RIGHT ANGLE CAT 6 SEALJACK  
WITH LEDS AND #4-40 THREADS

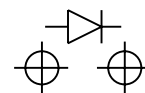
DRN BY: ADB	DATE 12-12-17
APPD BY: DHG	DATE 12-18-17
DWG. NO. CT600198	REV. A0





RECOMMENDED P.C.B. LAYOUT  
(COMPONENT SIDE OF BOARD)  
SCALE 5.000  
ALL CENTERLINE DIMENSIONS ARE BASIC

LED POLARITY  
(ENLARGED VIEW)

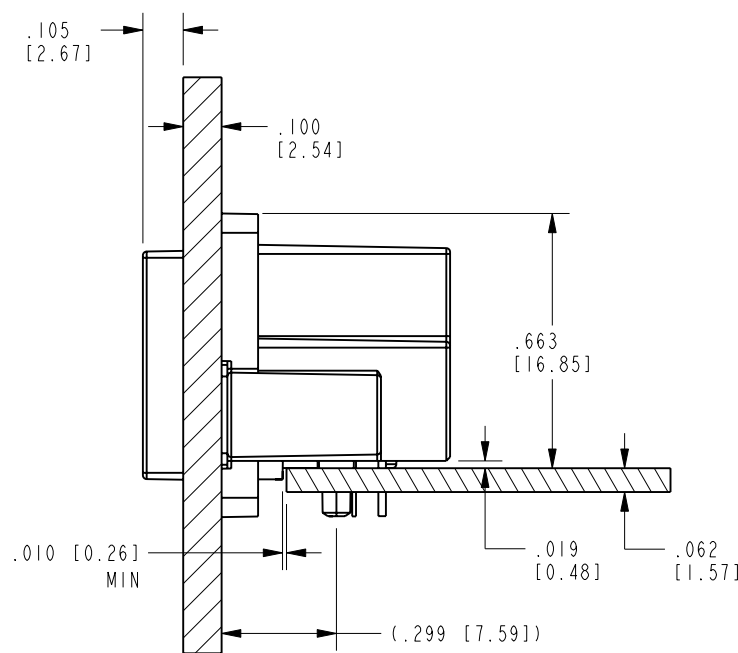


LED SPECIFICATION			
STANDARD LED	WAVELENGTH	FORWARD V (MAX)	*(TYP)
GREEN	565 nm	2.5 V	2.2 V
YELLOW	590 nm	2.5 V	2.1 V

\*WITH A FORWARD CURRENT OF 20mA (TYP)

RECOMMENDED PANEL CUTOUT  
(FRONT OF PANEL)  
SCALE 4.000  
ALL CENTERLINE DIMENSIONS ARE BASIC

NOTES:  
1. IF MOUNTING MULTIPLE CONNECTORS SIDE-BY-SIDE, THE SUGGESTED MINIMUM SPACING (PITCH) IS AT LEAST 1.02 INCHES [26 mm].



SIDE VIEW - SHOWN WITH .100" PANEL AND .062" P.C.B. FOR REFERENCE ONLY  
SCALE: 2.000  
(SHOWN WITH GASKET IN FULLY COMPRESSED STATE)



THIRD ANGLE PROJECTION 	 <b>stewart</b> CONNECTOR a bel group	11118 Susquehanna Trail South Glen Rock, PA 17327-9199 (717) 235-7512 <a href="http://www.stewartconnector.com">http://www.stewartconnector.com</a>
DO NOT SCALE DRAWING DRAWING IS SUBJECT TO CHANGE WITHOUT NOTICE	TITLE: RIGHT ANGLE CAT 6 SEALJACK WITH LEDS AND #4-40 THREADS	
DIMENSIONS: INCHES [METRIC]	THIS DRAWING AND THE SUBJECT MATTER SHOWN THEREON ARE CONFIDENTIAL AND THE PROPRIETARY PROPERTY OF STEWART CONNECTOR AND SHALL NOT BE REPRODUCED, COPIED, OR USED IN ANY MANNER WITHOUT PRIOR WRITTEN CONSENT OF STEWART CONNECTOR. ONE OR MORE U.S. PATENTS MAY APPLY TO THIS PRODUCT. FOR DETAILS, PLEASE VISIT: <a href="http://BELFUSE.COM/STEWART/STEWART_PATENTS/">HTTP://BELFUSE.COM/STEWART/STEWART_PATENTS/</a>	DRN BY: ADB DATE 12-12-17
UNLESS OTHERWISE SPECIFIED TOLERANCES ARE ±.005 [0.13] ANGLES ARE ±1°		APPD BY: DHG DATE 12-18-17
SHEET NO. 2 OF 2		DWG. NO. CT600198 REV. A0

# Mouser Electronics

Authorized Distributor

Click to View Pricing, Inventory, Delivery & Lifecycle Information:

Bel:

[SS-60400-021](#)