

NOTES:

1.0 SPECIFICATIONS:

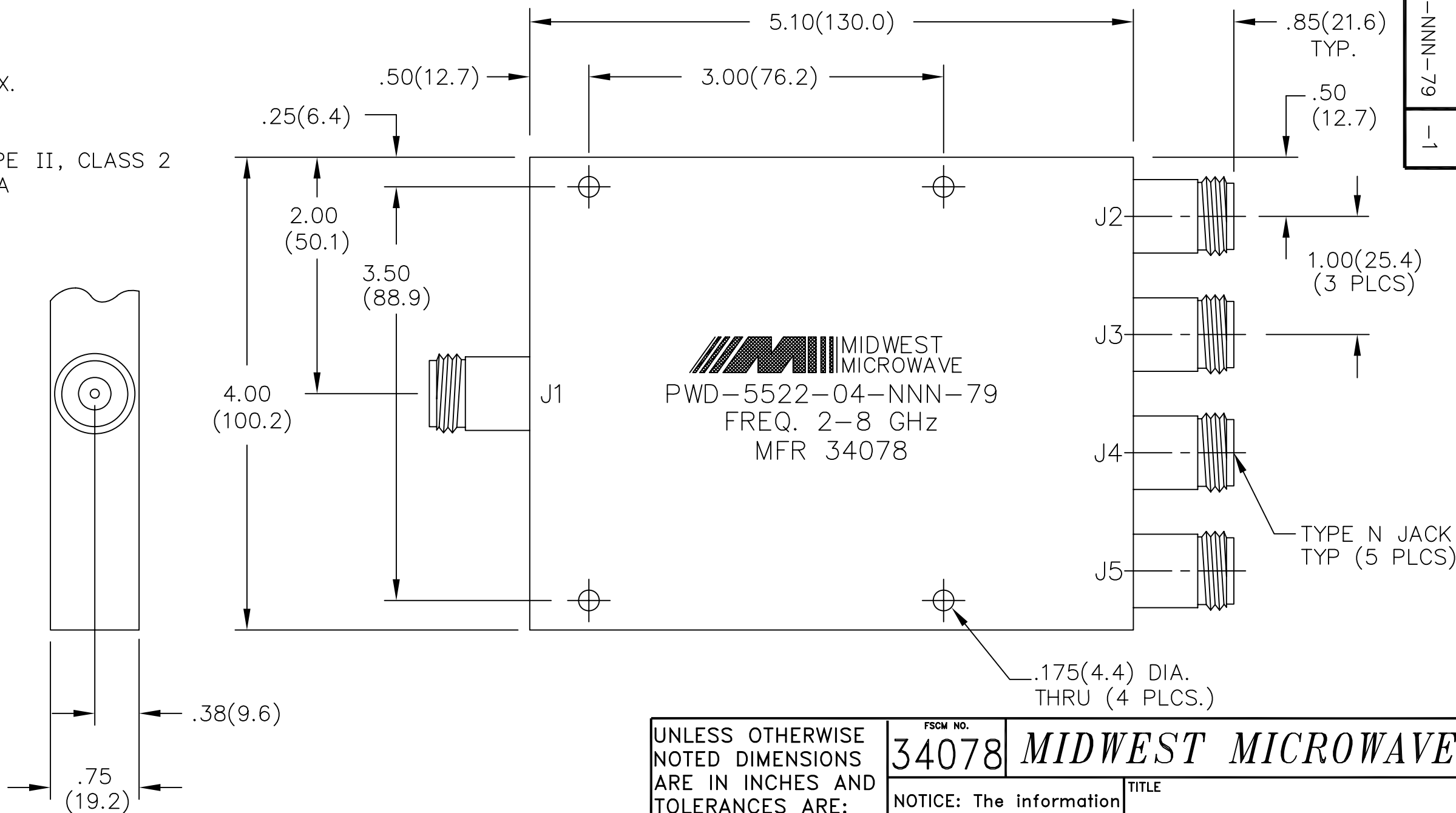
- 1.1 FREQUENCY RANGE: 2.0 to 8.0 GHz
- 1.2 INSERTION LOSS: 1.0dB MAX. WHEN REFERENCED TO 6dB POWER DIVISION.
- 1.3 AMPLITUDE UNBALANCE: 0.5dB MAX.
- 1.4 PHASE BALANCE: 10° MAX.
- 1.5 VSWR: 1.50:1 MAX.
- 1.6 ISOLATION: 18dB MIN.
- 1.7 INPUT POWER: 30 WATTS MAX.

2.0 FINISH:

GREY OVER MIL-E-15090 TYPE II, CLASS 2
 OVER MIL-C-5541 CLASS 3A
 MEETS MIL-F-14072
 MEETS MIL-E-5400

3.0 MARKING:
 MARK UNIT AS SHOWN

4.0 DIMENSIONS IN PARENTHESIS ARE
 IN MILLIMETERS



MODEL NUMBER
 PWD-5522-04-NNN-79
 REV.
 -1

MIDWEST MICROWAVE
 PWD-5522-04-NNN-79
 FREQ. 2-8 GHz
 MFR 34078

UNLESS OTHERWISE NOTED DIMENSIONS ARE IN INCHES AND TOLERANCES ARE:		FSCM NO. 34078		MIDWEST MICROWAVE	
3 PLACE DECIMALS ±.005		NOTICE: The information contained in this drawing is proprietary and must not be used without the permission of Midwest Microwave		TITLE POWER DIVIDER TYPE N (4-WAY)	
2 PLACE DECIMALS ±.02					
FRACTIONS ±1/64		DRAWN/DATE A.BEATTY 8/9/94		ENG./DATE J.O'NEIL 8/10/94	
PARALLELITY: T.I.R. _____		CHECKED/DATE		APPROVED/DATE	
FLATNESS: T.I.R. _____		DRAWING NUMBER PWD-5522-04-NNN-79		SCALE: 1=1	
CONCENTRICITY: T.I.R. _____		ANGLES AND PERPENDICULARITY: ±1°		SHEET 1 of 1	

REV.	DESCRIPTION	DATE
-	RELEASED	8/12/94
-1	ADDED TITLEBLOCK	7/19/05

Mouser Electronics

Authorized Distributor

Click to View Pricing, Inventory, Delivery & Lifecycle Information:

[Cinch Connectivity Solutions:](#)

[PWD-5522-04-NNN-79](#)