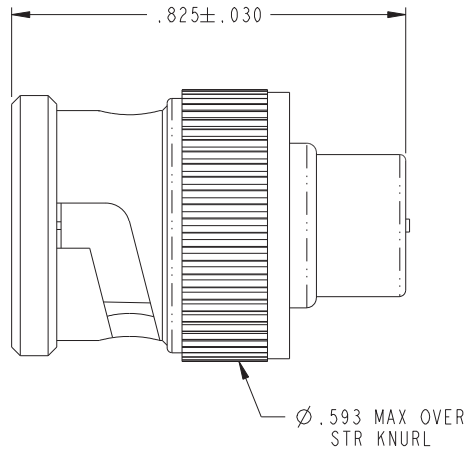
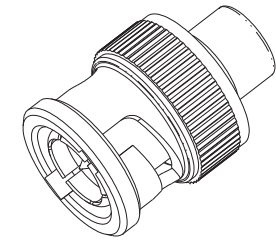


ZONE	REV	ECO	DESCRIPTION	APPROVER	DATE
	E	15971		L.M.	11/6/05
	F	53714		T. KOHLER	10/3/11



2. TERMINATOR 75Ω BNC TYPE COAXIAL PLUG
-27dB RETURN LOSS UP TO 2.5 GHz.

1. FINISH:
BODY: NICKEL
CONTACTS: GOLD
BAYONET SLEEVE: BLACK

	MODEL NO.					
	CAGE CODE 14949		TITLE UTNA2000			
<small>THIS PROPRIETARY DOCUMENT IS PROPERTY OF EMERSON NETWORK POWER CONNECTIVITY SOLUTIONS. IT IS CONFIDENTIAL IN NATURE. NON-TRANSFERABLE, AND ISSUED WITH A CLEAR UNDERSTANDING THAT IT IS NOT TANCED OR COPIED WITHOUT PERMISSION AND IS RETURNABLE UPON DEMAND.</small>	<small>UNLESS OTHERWISE SPECIFIED UNITS: INCH .XX ± .02 .XXX ± .010 .XXXX ± .005 ANGLE ± 1° 00' CRITICAL</small>	<small>DRAWN BY</small> C. WALLACE	<small>DATE</small> 10/6/11	<small>DRAWING NO.</small> 1-0574	<small>REV.</small> F	<small>FINISH</small>
		<small>APPROVED BY</small> T. KOHLER	<small>DATE</small> 10/7/11	<small>SIZE</small> C	<small>DO NOT SCALE DRAWING</small>	<small>SCALE</small> 5:1

Mouser Electronics

Authorized Distributor

Click to View Pricing, Inventory, Delivery & Lifecycle Information:

[Cinch Connectivity Solutions:](#)

[UTNA2000](#)