

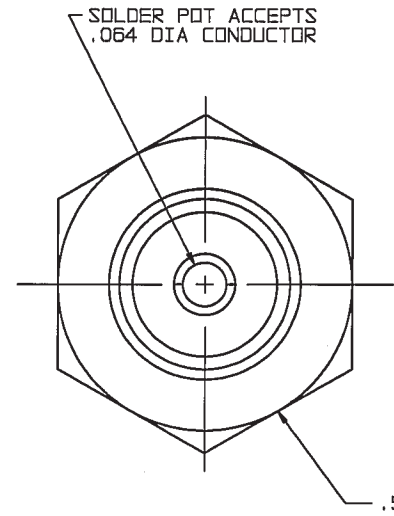
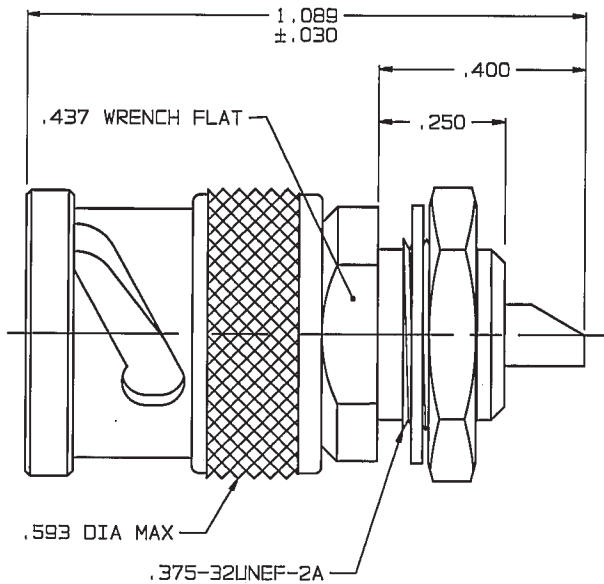
RED INDICATES ORIGINAL

DWG SIZE B
 DATA CONTAINED IN THIS DOCUMENT IS PROPRIETARY TO TROMPETER ELECTRONICS INC. AND SHALL NOT BE DISCLOSED, COPIED OR USED FOR PROCUREMENT OR MANUFACTURE WITHOUT EXPRESS WRITTEN PERMISSION.

REVISIONS			1-0024		SH 1
REV	EO	DESCRIPTION	DWN	APPROVED	DATE
H	11558	CHANGED ITEM 7 P/N FROM: 8-1561-1 TO 8-0561-3; SEE ECD	DKC	<i>Bm: FQ</i>	4/2/96

DASH NO	MODEL NO	IMPD
-1	PL21	50
-A1		50
-2	UPL21	75
-A2		75

△ 5
 △ 5



INCH	MM
.015	0.38
.030	0.76
.064	1.63
.085	2.16
.250	6.35
.400	10.16
.437	11.10
.500	12.70
.593	15.06
1.089	27.66

-1 SHOWN

△ SUPPLIED WITHOUT HEX NUT AND LOCKWASHER

4. MAX PANEL THICKNESS .085
3. MALE COAXIAL 50 & 75 OHM BNC SOLDER POT PLUG
2. FINISH: TFS-1A (NICKEL)
1. ALL DIM ARE IN INCHES

QTY	DESCRIPTION	PART NUMBER	ITEM
305-0138	TOL UNLESS SPECIFIED	PL21/UPL21	
105-0975	.XX ± .XXX ± .015		
105-0897	.XXXX ± ANGLES ±		
105-0809	DWN DKC 3-29-96	DRAWING NO. 1-0024	REV H
1-0253	CHK <i>Bm</i> 4-2-96		
1-0219	ENGR <i>FQ</i>	DATE 1-11-66	SHEET 1 OF 2
NEXT ASSY	APPR <i>FQ</i> 4/2/96		



SCALE 4/1

Mouser Electronics

Authorized Distributor

Click to View Pricing, Inventory, Delivery & Lifecycle Information:

[Cinch Connectivity Solutions:](#)

[PL21](#)