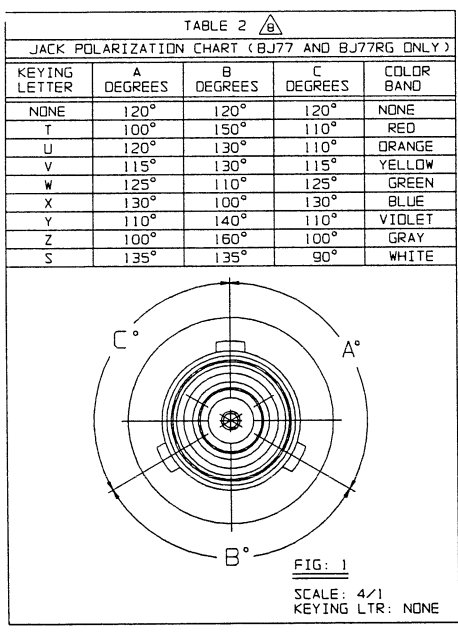
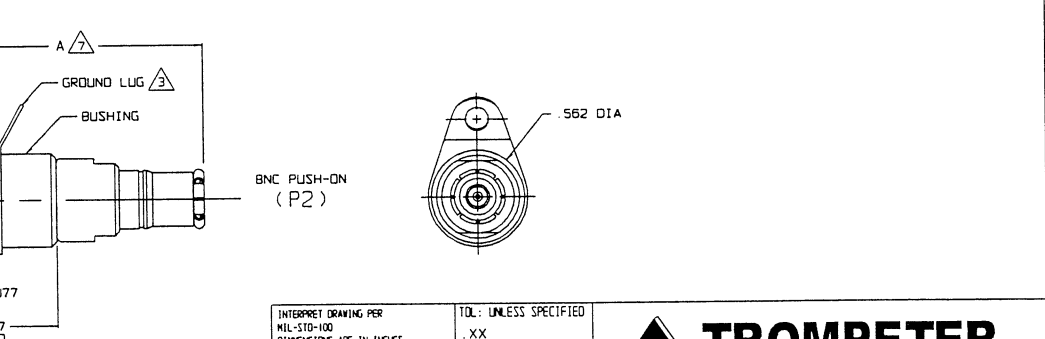
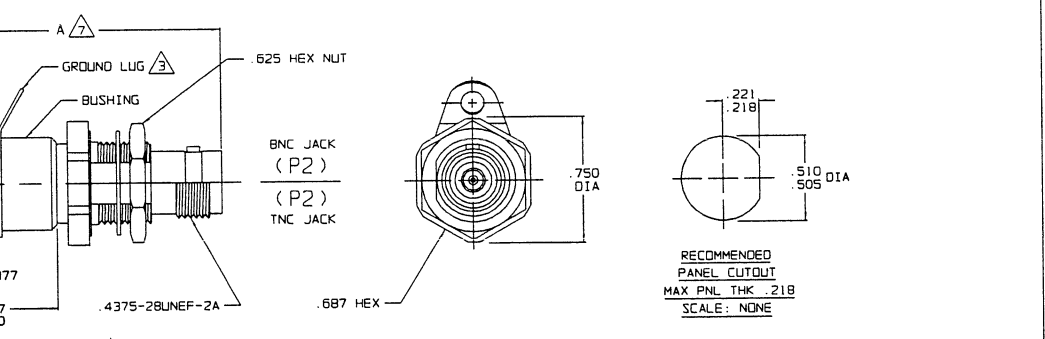
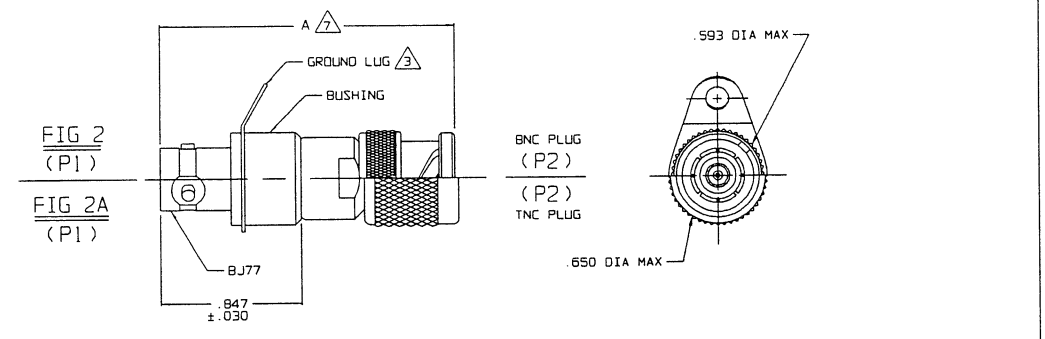
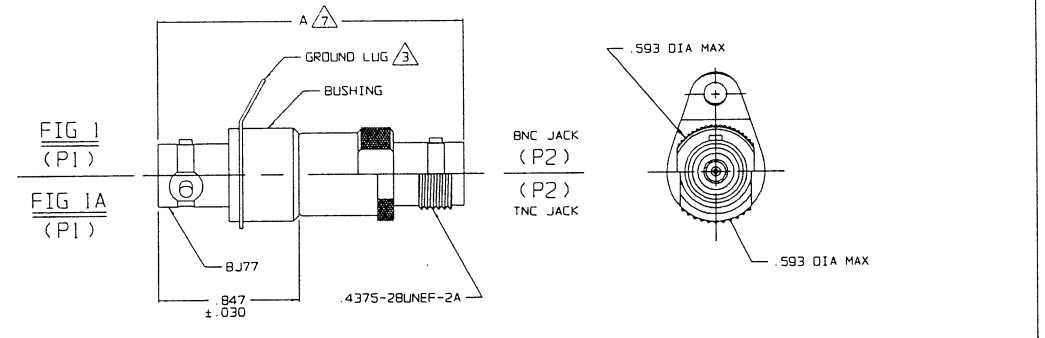


DATA CONTAINED IN THIS DOCUMENT IS PROPRIETARY TO TROMPETER ELECTRONICS INC AND SHALL NOT BE DISCLOSED, COPIED OR USED FOR PROCUREMENT OR MANUFACTURE WITHOUT EXPRESS WRITTEN PERMISSION OF TROMPETER ELECTRONICS INC.

REVISIONS		22-01	SH 1
REV	DESCRIPTION	DATE	APPROVED
K	REVISED PER ECO 15124	7/23/03	WJ
L	ECO 55773	7/28/15	CM

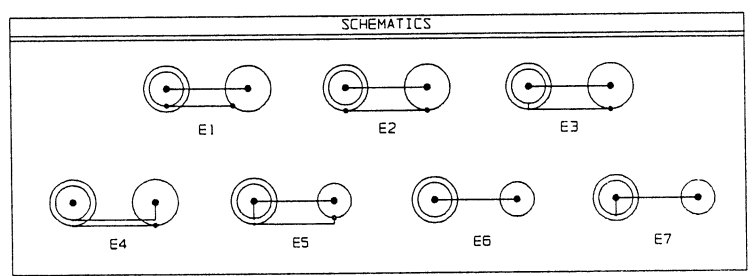
P2 CONN TYPE	AREF DIM	FIG NO	PI CONN TYPE																																			
			BJ77 /A							BJ77TL							BJ77FL							BJ377							BJ77RG (REVERSE GENDER) /B				BJ377RG (REVERSE GENDER) /B			
			SCHEMATICS																																			
			E1	E2	E3	E4	E5	E6	E7	E1	E2	E3	E4	E5	E6	E1	E2	E3	E4	E5	E6	E1	E2	E3	E4	E5	E6	E1	E2	E3	E4	E5	E6					
CJ20	1.844	1	-1	-4	-7	-19	-25	-181																														
UCJ20			-U1	-U4	-U7	-U19	-U25	-182																														
PL20			-2	-5	-8	-20	-26	-183	-265																													
UPL20	1.778	2	-U2	-U5	-U8	-U20	-U26	-184																														
BJ29			-3	-6	-9	-21	-27	-185																														
UBJ29			-U3	-U6	-U9	-U21	-U27	-186																														
CJ40			-10	-13	-16	-22	-28	-187																														
UCJ40	1.844	1A	-U10	-U13	-U16	-U22	-U28	-188																														
PL40			-11	-14	-17	-23	-29	-189																														
UPL40	1.778	2A	-U11	-U14	-U17	-U23	-U29	-190																														
BJ49			-12	-15	-18	-24	-30	-191																														
UBJ49	1.847	3A	-U12	-U15	-U18	-U24	-U30	-192																														
PL40P	1.778	2A	-31	-32	-33	-34	-35	-193																														
PL123			-36	-37	-38	-39	-40	-194																														
UPL123	1.646	4	-161	-162	-163	-164	-165	-195																														
BJ26																																						
UBJ26																																						
BJ46																																						
UBJ46																																						

SEE 22-09



RED INDICATES ORIGINAL

- (A) POLARIZATION OPTIONAL ONLY ON BJ77 AND BJ77RG. SEE TABLE 2
- (B) ADD .020 TO "A" DIM FOR ADAPTERS WITH "G" PREFIX
6. EXAMPLE OF COMPLETE PART NO:
- 22-01-G 1 - X
- PART NO PREFIX POLARIZATION LETTER CODE DASH NO
5. EXAMPLE OF COMPLETE MODEL NO:
- AD - BJ77 RG X - E1 - U CJ20
- ADAPTER (P1) CONN TYPE (P2) CONN TYPE (U INDICATES 75 OHM)
- RG = REVERSE GENDER; OMIT FOR NORMAL GENDER U = 75 OHM; OMIT FOR 50 OHM
- SHEMATIC POLARIZATION LETTER CODE IF REQ'D SEE TABLE 2
4. BETWEEN SERIES ADAPTERS: 2-LUG, 3-LUG, 4-LUG AND THREADED CONCENTRIC TWINAX/TRIAX BNC TYPE TO COAXIAL 50 & 75 OHM BNC/TNC & PUSH-ON PLUG/JACK
- (3) FOR OPTIONAL GROUND LUG ADD PREFIX "G" TO DASH NO
2. FINISH TFS-1A (NICKEL)
1. ALL DIM ARE IN INCHES



INTERPRET DRAWING PER MIL-STD-100 DIMENSIONS ARE IN INCHES AND INCLUDE FINISH THICKNESS UNLESS OTHERWISE SPECIFIED		TOL: UNLESS SPECIFIED .XX .XXX ±.005 .XXXX ANGLES	
DRAWN AAH	DATE 7-22-03	MATERIAL:	TITLE: ADAPTER: BJ77, BJ77RG/B BJ77TL, BJ77FL, BJ377 TO BNC/TNC SERIES
CHECKED JS	DATE 7/23/03	FINISH:	SIZE CAGE CODE DRAWING NO. REV. B 14949 22-01 L
QUALITY CONTROL	DATE 7/23/03	DO NOT SCALE DWG	SCALE NONE DATE: 2-25-85 SHEET 1C
APPROVED WJ	DATE 7/23/03		
CAD FILE NO 22-01K			

Mouser Electronics

Authorized Distributor

Click to View Pricing, Inventory, Delivery & Lifecycle Information:

[Cinch Connectivity Solutions:](#)

[ADBJ77-E2-CJ20](#)