

5

4

3

2

1

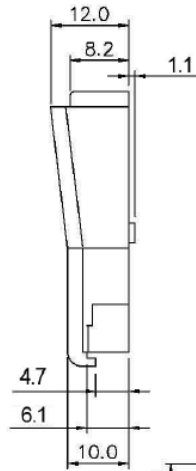
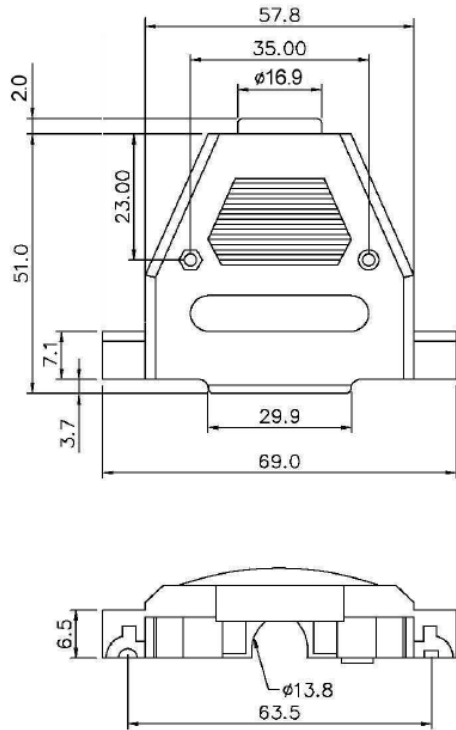
Description: D-Sub Hood, Plastic, H Series, 37 Pins
 Part No: 40-9737H

DRAWING NO.
 40-9737H-CUST

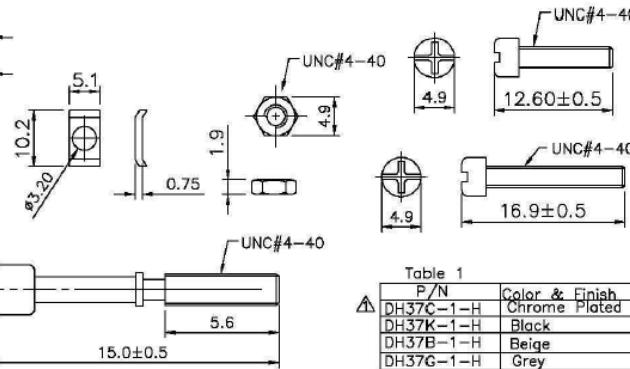
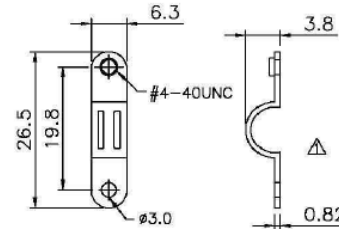
REVISIONS

01 OFFICIAL RELEASE

12-19-12	G Z	M W	M L		ECO-12-0335
----------	--------	--------	--------	--	-------------



Screw Nut & Clip And Other: Steel
 Nickel Plated
 Packing: 1 Set/Bag
 RoHS Compliant



P/N	Color & Finish
DH37C-1-H	Chrome Plated
DH37K-1-H	Black
DH37B-1-H	Beige
DH37G-1-H	Grey

DIM OUTLINE

TOLERANCE UNLESS OTHERWISE SPECIFIED		DRAWN BY GARY.ZHG	DATE 12-19-12
DECIMALS	mm	CHECKED BY MONICA.W	DATE 12-19-12
X.X	+ 0.2	APPROVED BY MA LIN	DATE 12-19-12
X.XX	+ 0.1	U/M	mm
X.XXX	+0.08		
ANGLES	+ 0.5°		

CUSTOMER COPY



TITLE
 D-Sub Hood, Plastic, H Series, 37 Pins

SHEET 1 OF 1	DRAWING NO. 40-9737H-CUST	SIZE A
-----------------	------------------------------	-----------

5

4

3

2

1

Mouser Electronics

Authorized Distributor

Click to View Pricing, Inventory, Delivery & Lifecycle Information:

[Cinch Connectivity Solutions:](#)

[40-9737H](#)