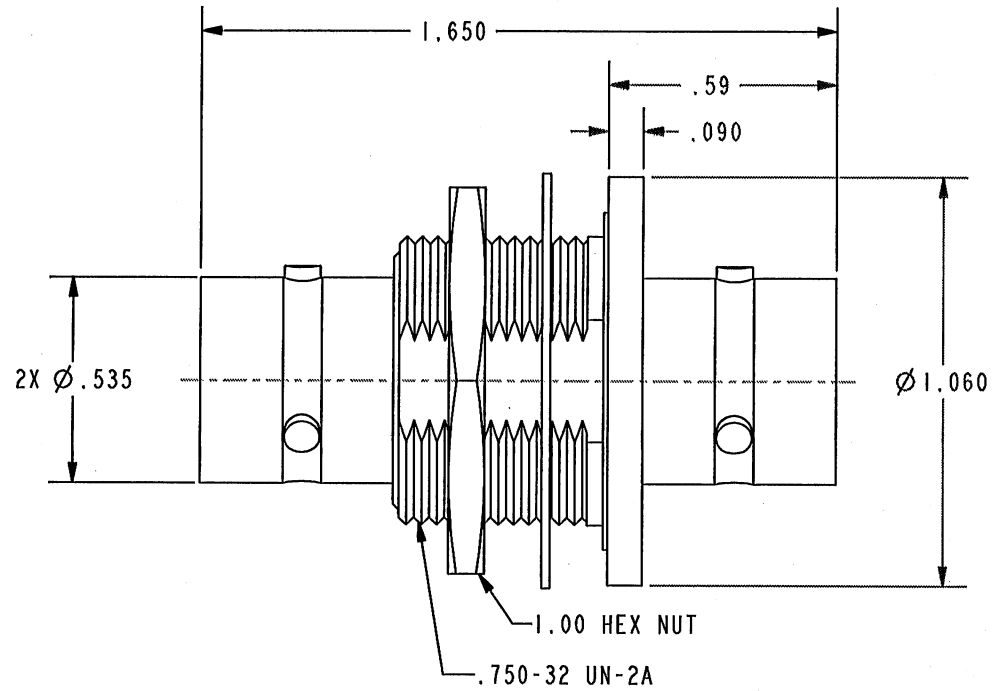


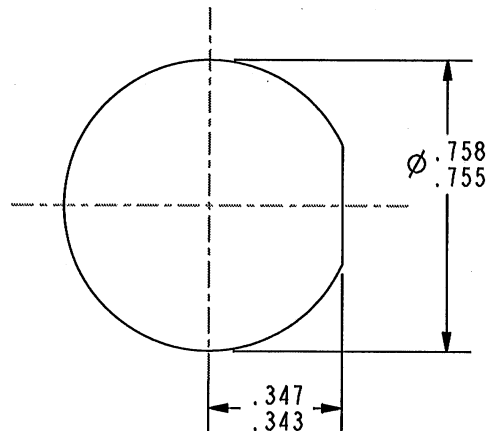
SCALE 1/1

DATA CONTAINED IN THIS DOCUMENT IS PROPRIETARY TO TROMPETER ELECTRONICS INC. AND SHALL NOT BE DISCLOSED, COPIED OR USED FOR PROCUREMENT OR MANUFACTURE WITHOUT EXPRESS WRITTEN PERMISSION.

REVISIONS			
REV	DESCRIPTIONS	DATE	APPROVED
B	REVISED PER ECO # 16198	7/31/06	LMC



SCALE 2/1



RECOMMENDED
PANEL CUTOUT
SCALE 2/1

INDICATES ORIGINAL

3. MAXIMUM PANEL THICKNESS .343
2. FINISH: TFS-1A (NICKEL)
1. 3-LUG CONCENTRIC TWINAX/TRIAX TRS STYLE BULKHEAD FEED-THRU RECEPTICAL

NOTES: UNLESS OTHERWISE SPECIFIED.

INTERPRET DRAWING PER MIL-STD-100. DIMENSIONS ARE IN INCHES AND INCLUDE FINISH UNLESS OTHERWISE SPECIFIED.		TOL: UNLESS SPECIFIED. .XX \pm .02 .XXX \pm .010 ANGLE \pm 1°			
DRN J. CARPENTER	07-10-06	MATERIAL:	TITLE:		
CHR CM	7/28/06	FINISH:	BJ833		
MANUF		SIZE	CAGE CODE	DRAWING NO.	REV.
APPROVED		A	14949	3-0219	B
PROJ/ FILE NO. 3-0219	DO NOT SCALE DWG	SCALE	2/1	DATE	SHEET
NEXT ASSY				01-14-87	1C

Mouser Electronics

Authorized Distributor

Click to View Pricing, Inventory, Delivery & Lifecycle Information:

[Cinch Connectivity Solutions:](#)

[BJ833](#)