

DISK # C9
DWG SIZE B

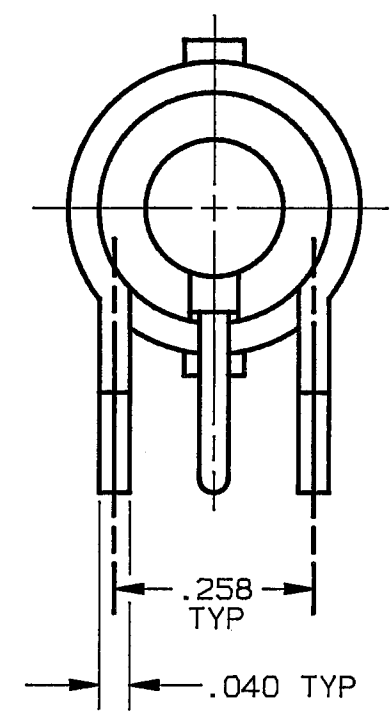
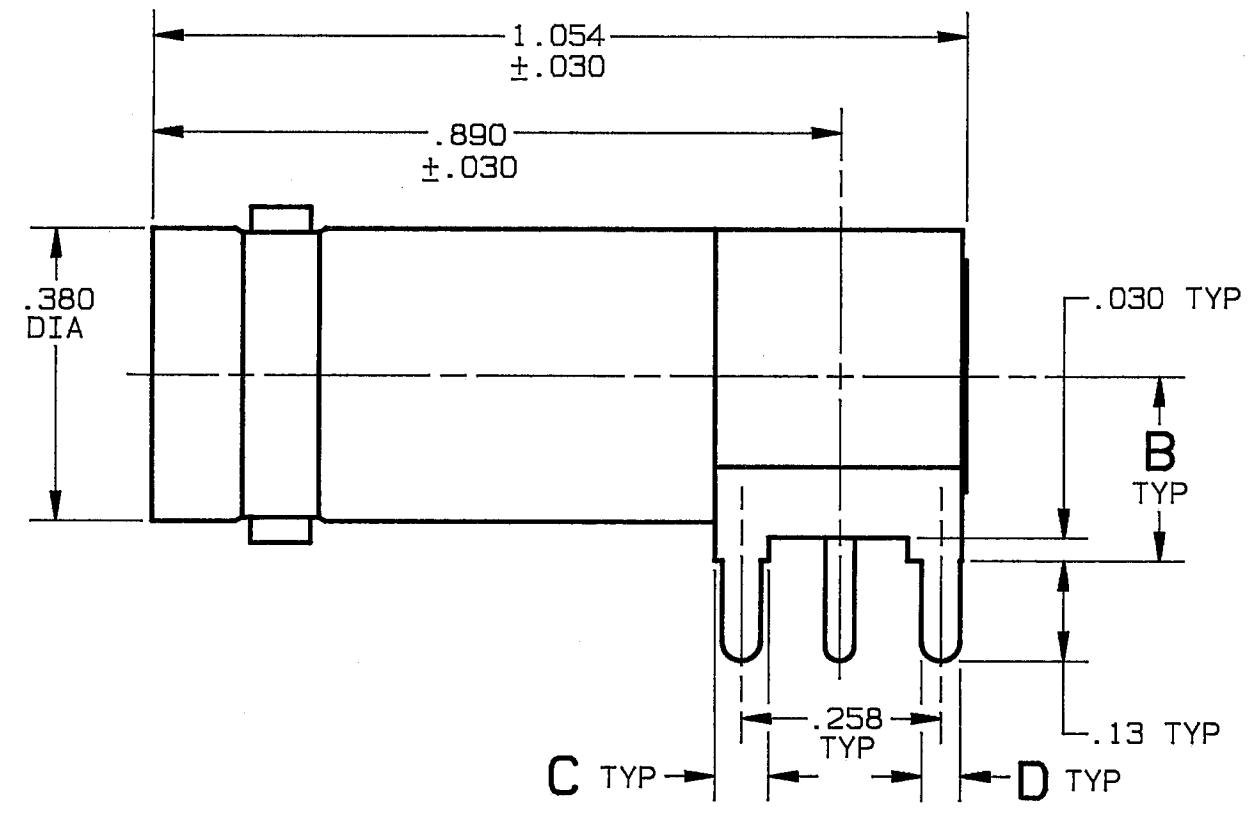
DATA CONTAINED IN THIS DOCUMENT IS PROPRIETARY TO TROMPETER ELECTRONICS INC. AND SHALL NOT BE DISCLOSED, COPIED OR USED FOR PROCUREMENT OR MANUFACTURE WITHOUT EXPRESS WRITTEN PERMISSION.

REVISIONS			1-0044		SH 1
REV	EO	DESCRIPTION	DWN	APPROVED	DATE
H	9449	CHANGE "C" DIM FROM .070 TO .090, -1 AND -2; DWG NO WAS 1000-0044; & REDWN	DKC	B.M.; <i>Dap</i>	10-2-91

DASH NO	MODEL NO	LTR CODE	IMPD	A DIA	B DIM	C DIM	D DIM	E DIA
-1	CBJR20	A	50	.046	.24	.090	.050	.0625
-2	UCBJR20		75	.029				
-3	CBJR20A		50	.046	.34		.058	.070
-4	UCBJR20A		75	.029				

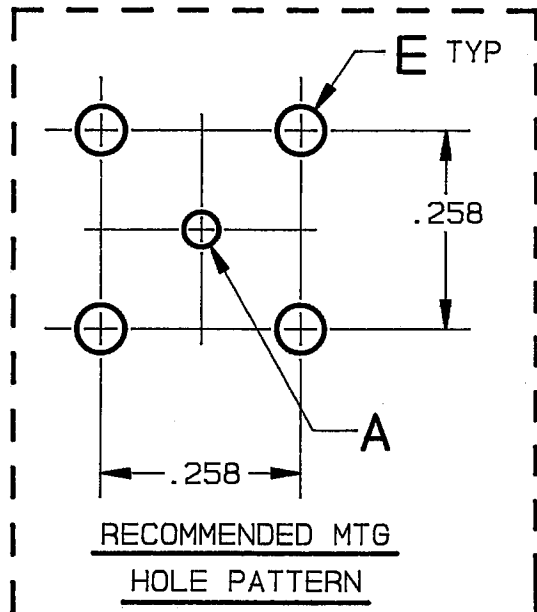
INCH	MM
.001	0.03
.005	0.13
.010	0.25
.029	0.74
.030	0.76
.040	1.02
.046	1.17
.050	1.27
.058	1.47
.0625	1.59
.090	2.29
.13	3.30
.24	6.10
.258	6.55
.34	8.64
.380	9.65
.890	22.61
1.054	26.77

-1 SHOWN



4. EXAMPLE OF COMPLETE MODEL NO:
U/CBJR20/A
 U - LTR CODE (SEE TABLE)
 CBJR20 - BASIC MODEL NO (SEE TABLE)
 /A - 75 OHM DESIGNATION-NONE REQD FOR 50 OHM

3. FINISH: TFS-1A (NICKEL)
2. 50 & 75 OHM RIGHT ANGLE CIRCUIT BOARD MOUNTING BNC RECEPTACLE
1. ALL DIM ARE IN INCHES



QTY	DESCRIPTION		PART NUMBER		ITEM	
TOL UNLESS SPECIFIED .XX ± .01 .XXX ± .005 .XXXX ± .0010 ANGLES ±			TROMPETER ELECTRONICS, INC.		U/CBJR20/A	
DWN	DKC	9-13-91				MATERIAL
CHK	B.M.	9-24-91	—	14949	1-0044	H
ENGR	<i>Dap</i>	10-2-91	SCALE 4/1	DATE 2-1-83	SHEET 1 OF 2	
NEXT ASSY	APPR	<i>DKC</i>	10-2-91			

Mouser Electronics

Authorized Distributor

Click to View Pricing, Inventory, Delivery & Lifecycle Information:

[Cinch Connectivity Solutions:](#)

[CBJR20](#)