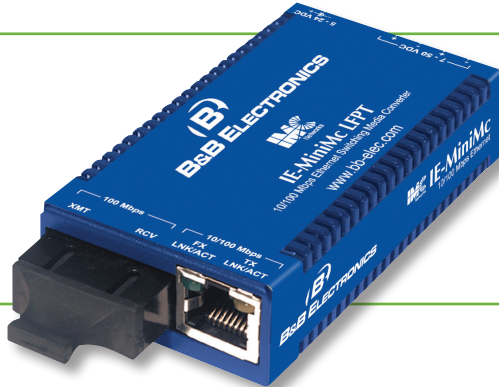


Industrial Grade 10/100 Miniature Media Converters

IE-MiniMc/LFPT & Telco-LFPT



PRODUCT FEATURES

- Extended operating temperature of -25 to +85° C
- Auto-Cross automatic selection between crossover or straight-through connections
- Status LEDs
- Link Fault Pass-Through (LFPT) capability

Measuring less than 3.5 inches deep and 2 inches wide, the IE-MiniMc Series converters are some of the industry's smallest copper-to-fiber media converters, with both data connections on the same side. The IE-MiniMc family of media converters are a fraction of the cost of other industrial grade alternatives. These products provide the ease and convenience of plug-and-play operation with features including Auto Negotiation and Auto-Cross.

Advanced features such as Link Fault Pass-Through (LFPT) assist operators in identifying breaks in the network when using unmanaged network hardware. Multiple powering options include Power over Ethernet (PoE/PD), -48 VDC for Telco, AC wall adapter and USB, which offers unsurpassed flexibility for a variety of installations.

ORDERING INFORMATION

MODEL NUMBER	FIBER	FIBER PORTS	RANGE	ETHERNET PORTS	ETHERNET CONNECTOR
IE-MiniMc/LFPT					
855-19821	MM850-ST	1	2 km	1	1
855-19822	MM850-SC	1	2 km	1	1
855-19823	MM1300-ST	1	5 km	1	1
855-19824	MM1300-SC	1	5 km	1	1
855-19830	SM1310/PLUS-SC	1	30 km	1	1
855-19831	SM1310/LONG-ST	1	80 km	1	1
855-19832	SM1310/LONG-SC	1	80 km	1	1
855-19833	SM1550/LONG-SC	1	80 km	1	1

ORDERING INFORMATION

MODEL NUMBER	FIBER	FIBER PORTS	RANGE	ETHERNET PORTS	ETHERNET CONNECTOR
IE-MiniMc/Telco-LFPT					
855-19201	MM850-ST	1	2 km	1	1
855-19202	MM850-SC	1	2 km	1	1
855-19203	MM1300-ST	1	5 km	1	1
855-19204	MM1300-SC	1	5 km	1	1
855-19209	SM1310/PLUS-ST	1	30 km	1	1
855-19210	SM1310/PLUS-SC	1	30 km	1	1
855-19211	SM1310/LONG-ST	1	80 km	1	1
855-19212	SM1310/LONG-SC	1	80 km	1	1
855-19213	SM1550/LONG-SC	1	80 km	1	1

ACCESSORIES

- 806-39105 - DIN Rail Clip
- 806-39638 - Double-USB Power Cable, 36"/.9m
- 806-39650 - 12"/.3m Barrel-Connector Power Cable
- 850-13086 - IE-PowerTray/18-AC (-20°C to +70°C), 18-slot AC powered chassis
- 895-39229 - Wall Mount Bracket
- 806-39753 - IE-Power/5V Module, AC to DC DIN Rail Power Adapter

Industrial Grade 10/100 Miniature Media Converters

IE-MiniMc/LFPT & Telco-LFPT



SPECIFICATIONS

TECHNICAL

IEEE 802.3 10Base-T twisted pair
IEEE 802.3u 100Base-TX twisted pair
IEEE 802.3u 100Base-FX fiber
IEEE 802.3af Power Over Ethernet
Supports jumbo packets up to 1916 bytes
Plug-and-play operation
RJ45 and ST or SC ports available
50/125µm or 62.5/125µm multi-mode fiber
9/125µm single-mode fiber
Available with single-strand fiber support
Includes terminal DC power block
Country-specific, high-reliability power adapter
Auto Negotiation
Auto-Cross for MDI/MDIX
Layer 2 packet switching, store and forward (forwarding rate: 14,881 pps for 10 Mbps, 148,100 pps for 100 Mbps)
Status LEDs

MECHANICAL

Dimensions	0.83"H x 1.80"W x 3.35"D (2.11 x 4.57 x 8.51 cm)
Shipping Weight	0.7 lbs (.317 kg)

INPUT SPECIFICATIONS

DC Terminal (Telco): 12 to 48 VDC

Barrel Connector: 5 to 24 VDC

PoE: Maximum supply voltage is 50V

ENVIRONMENTAL

Operating Temperature: DC or PoE (PD)	-13° F to 185° F (-25° C to +85° C)
Operating Temperature: AC wall adapter	+14° F to +122° F (-10° C to +50° C)
Storage Temperature:	-13° F to 185° F (-25° C to +85° C)
Operating Humidity	5% to 95% (non-condensing)

REGULATORY APPROVALS

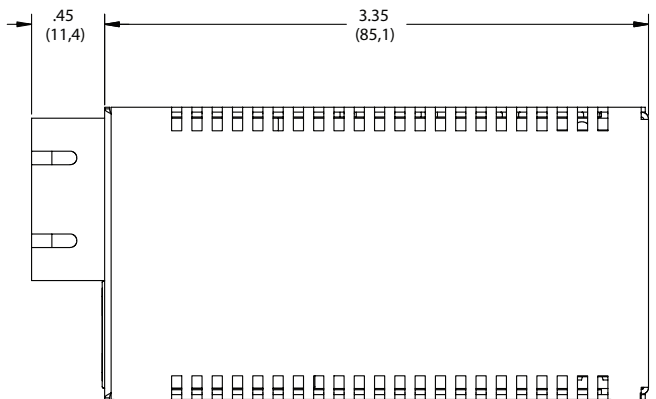
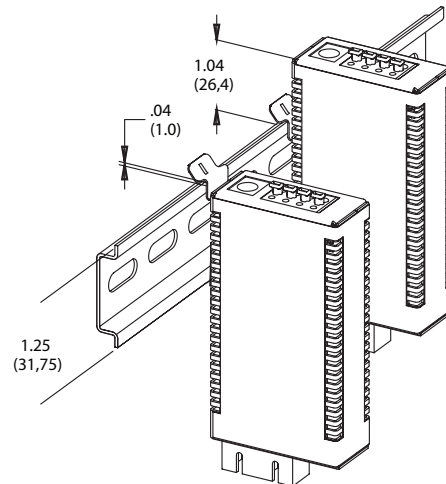
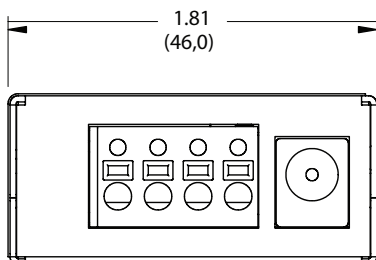
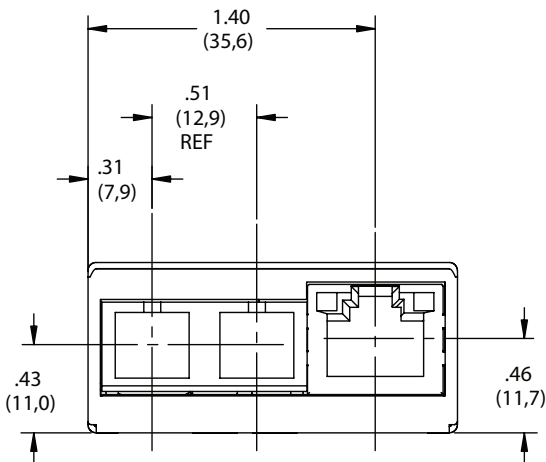
FCC Class A (using DC terminal or PoE power)

FCC Class B (using any DC jack, optional)

UL/cUL, CSA, CE

MECHANICAL DIAGRAM

(dimensions in inches & millimeters)



Mouser Electronics

Authorized Distributor

Click to View Pricing, Inventory, Delivery & Lifecycle Information:

Advantech:

[855-19202](#) [855-19210](#) [855-19204](#) [855-19213](#) [855-19212](#) [854-19225](#) [854-19829](#) [854-19212](#) [854-19220](#) [854-19845](#) [854-19822](#) [854-19227](#) [854-19846](#) [854-19211](#) [854-19224](#) [854-19821](#) [854-19824](#) [854-19203](#) [854-19209](#) [854-19221](#) [854-19210](#) [854-19213](#) [854-19202](#) [854-19844](#) [854-19204](#) [854-19840](#) [854-19833](#) [854-19823](#) [854-19843](#) [854-19830](#) [854-19831](#) [854-19842](#) [854-19847](#) [854-19226](#) [854-19841](#) [854-19223](#) [854-19201](#) [854-19222](#) [854-19832](#) [855-19203](#) [855-19201](#) [855-19211](#) [855-19209](#)