

Country of Origin : China  
 Operating Temperature : 0~40 [°C]  
 Dimension : 65 x 45 x 30 [mm]  
 Certified AC Plugs: EU, UK, USA/Japan, Australia  
 Efficiency level (ErP) : VI



Approvals / Marks :



**Specifications**

| Model        | Voltage DC [V] | Loading [A] | Max. Power [W] | Ripple / Noise [mV] p-p | Connector [mm]            |
|--------------|----------------|-------------|----------------|-------------------------|---------------------------|
| BB-RPS-MO4-M | 12             | 0~1.0       | 12             | 200                     | WURTH 662004113322 - 4PIN |

SUNNY PN: SYS1561-1212-W2E,W2,W3U,W2A (WURTH 662004113322 - 4PIN) 2wc 2.0m (6.6ft), c.l. ADVANTECH

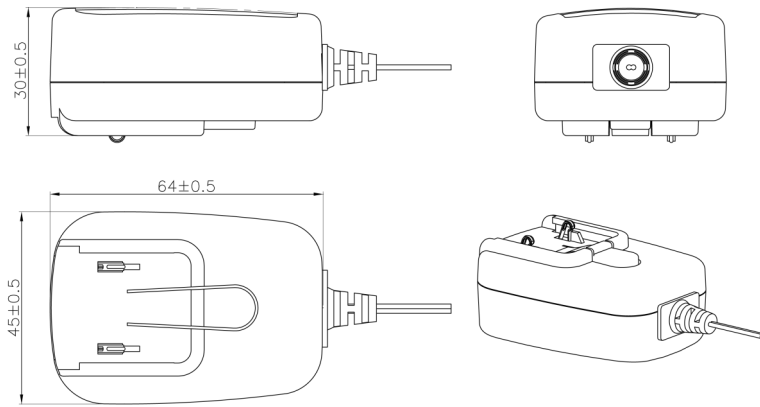
**Features:**

W2E - Europe | W3U - England | W2 - USA, Canada, Japan, Taiwan | W2A - Australia  
 Regulated Output With Low Ripple Noise | Safety Agency Requirements and EMI/EMS Certified  
 2 Years Warranty

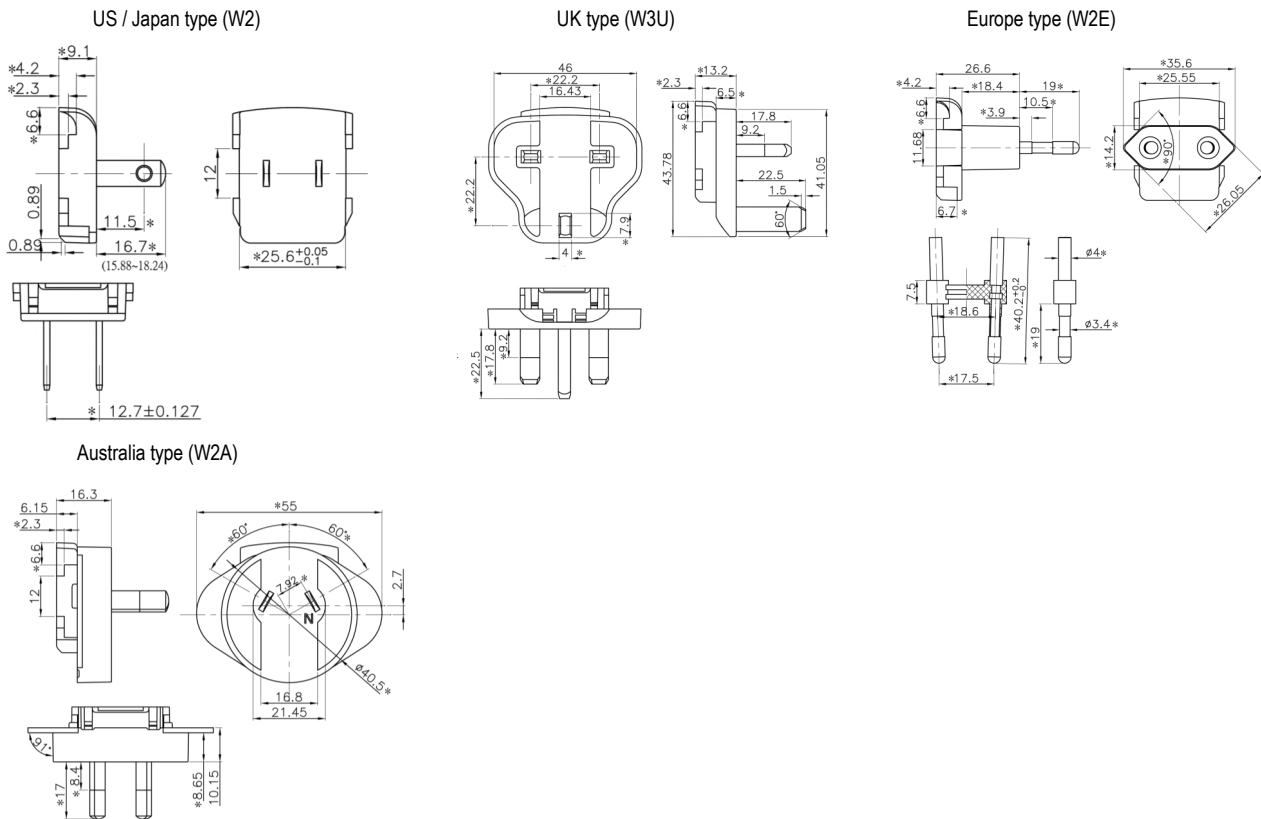
| OUTPUT                            |   |
|-----------------------------------|---|
| Turn delay                        | 5000 ms max @ AC low line input@output full load  |
| Hold up time                      | 5ms min@AC nominal input@output full load (>half cycle)   |
| Efficiency (Normal)               | Meet CEC,DOE,ERP,MEPS Level VI @115v/60HZ,230V/50HZ   |
| Transient response (dv,tmax)      | 0.3v dv max At AC nominal input loading from 50% load to max load or peak load<br>8ms tmax   Dynamic rise time 10uS max , duty 40mS max , Dynamic load step is slew rate of 0.5A/uS         |
| Power out.Limit                   | Peak 13W for SYS1561-1212   |
| Burn in limit                     | Full load 2 Hours   |
| Power consumption                 | Less than 0.075W ms max. At AC nominal input@output min load  |
| INPUT                             |   |
| Voltage                           | (90~264)VAC   |
| Frequency                         | (47~63)hz   |
| Current                           | 0.5A rms @ AC low line input and DC output full load  |
| Inrush Surge Current (cold start) | 40/60A max@power supply cold start,ambient temperature 25°C @115Vac/230Vac nominal AC input   |
| leakage current                   | 0.25mA Max  |
| PROTECTION                        |   |
| Over current/ Short protection    | The power supply will self-protect any output to ground & auto recovery when abnormal circuit faults remove. An output short circuit is defined as any output impedance less than 0.1 ohms. |
| Over Voltage                      | The power supply will be auto recovered when faults remove  |
| Input protection                  | F1:1A 250V Fuse The power supply shall be protected against power line surges and any abnormal condition  |
| No Load protection                | The power supply is provided with no load operation to prevent the power supply and system from damage.   |
| Protection class                  | II  |

| CE  |  |
|---|--|
| EMC   | 2014/30/EU   |
| LVD   | 2014/35/EU<br>EN 60950-1:2006+A11+A1+A12+A2              |
| SAFETY  |  |
| UL   GS   CB   CE   FCC  BSMI   PSE   SAA   RCM   EAC |  |
| OTHERS  |  |
| Dielectric Strength (Hi-pot)                          | Primary to Secondary:3000VAC 10mA/60S                    |
| M.T.B.F   | 500,000 Calculated Hours at 25°C, by Telcordia SR-332    |
| Cable Length  | 2000mm (6.6 feet)  |
| PLD (power line disturbance)                          | Line power surge   Line voltage SAG-more info on request |
| Cooling method  | Natural Convection Cooling                               |
| Housing material                                      | PC   |
| Temperature coefficient:                              | < ±0.5% / °C   |
| ENVIRONMENT   |  |
| Temperature   | Operating: (0 ~ 40)°C / Storage: (-20 ~ 85)°C            |
| Humidity  | Operating: 8%-90%RH / Storage: 5%-95% RH non condens-ing |
| WEIGHT  |  |
| NW:   | 123g/pc  |
| GW:   | 148g/pc  |
| PACKING   |  |
| Carton box  | small box 1pc / 116x54x84mm                              |

**Mechanical case specification:**

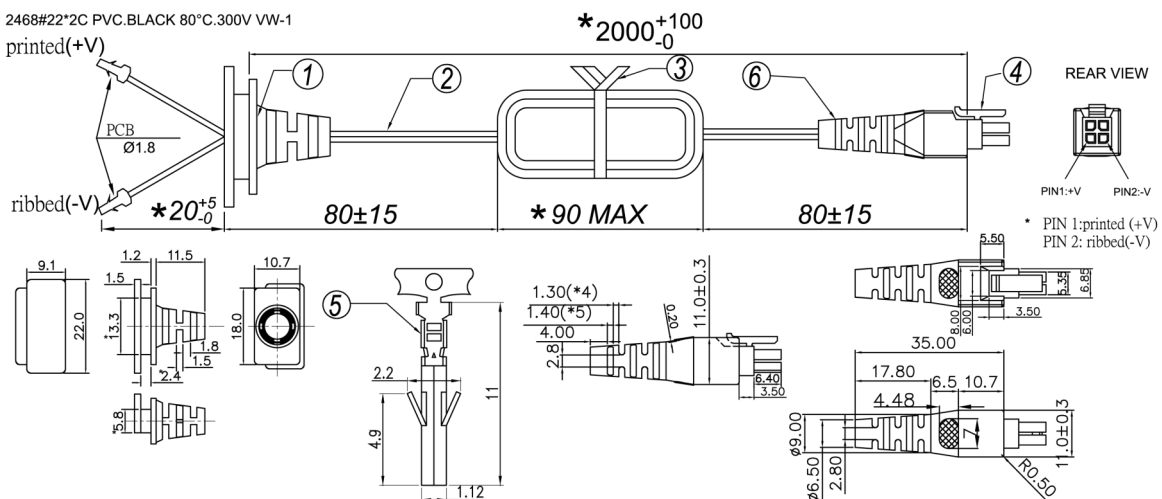


**Mechanical specification (country housing):**



**Cable specification:**

2468#22\*2C PVC.BLACK 80°C.300V VW-1  
printed(+V)  
ribbed(-V)



# Mouser Electronics

Authorized Distributor

Click to View Pricing, Inventory, Delivery & Lifecycle Information:

[Advantech:](#)

[BB-RPS-MO4-M](#)