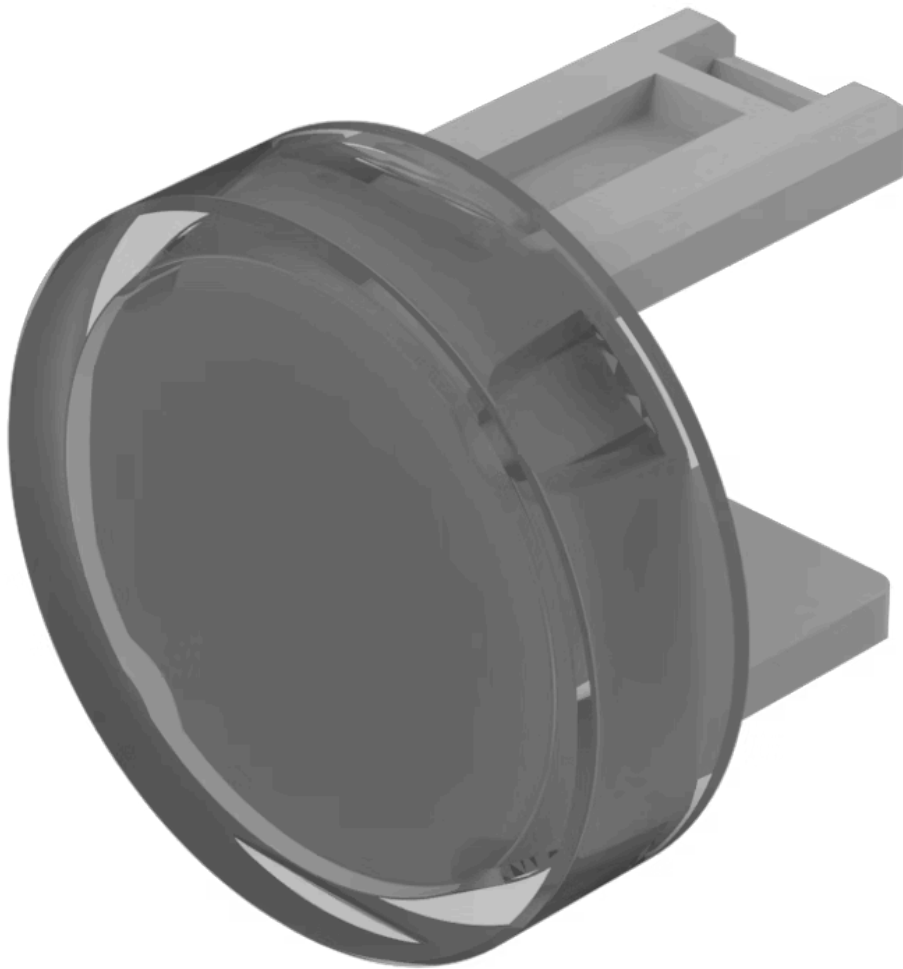


# Lens

31-  
933.7

Distribution by  
Mouser



<https://mouser.eao.com/p/31-933.7>

Your product:

---



## 31-933.7 Lens

### FRONT

**Front form:** round

### OPERATING-/INDICATION PART

**Lens colour:** Colourless

**Lens material:** Plastic

**Lens illumination:** illuminative

**Lens shape:** flush

**Lens optics:** transparent

### MECHANICAL CHARACTERISTIC

**Weight:** 0.001 kg

### CERTIFICATE

**REACH:** REACH compliant

**RoHS:** RoHS compliant

### OTHER

**Short Description:** Lens, Ø 15.8 mm, illuminative, Colourless, flush, Plastic

**Dimension:** Ø 15.8 mm

# Mouser Electronics

Authorized Distributor

Click to View Pricing, Inventory, Delivery & Lifecycle Information:

[EAO:](#)

[31-933.7](#)