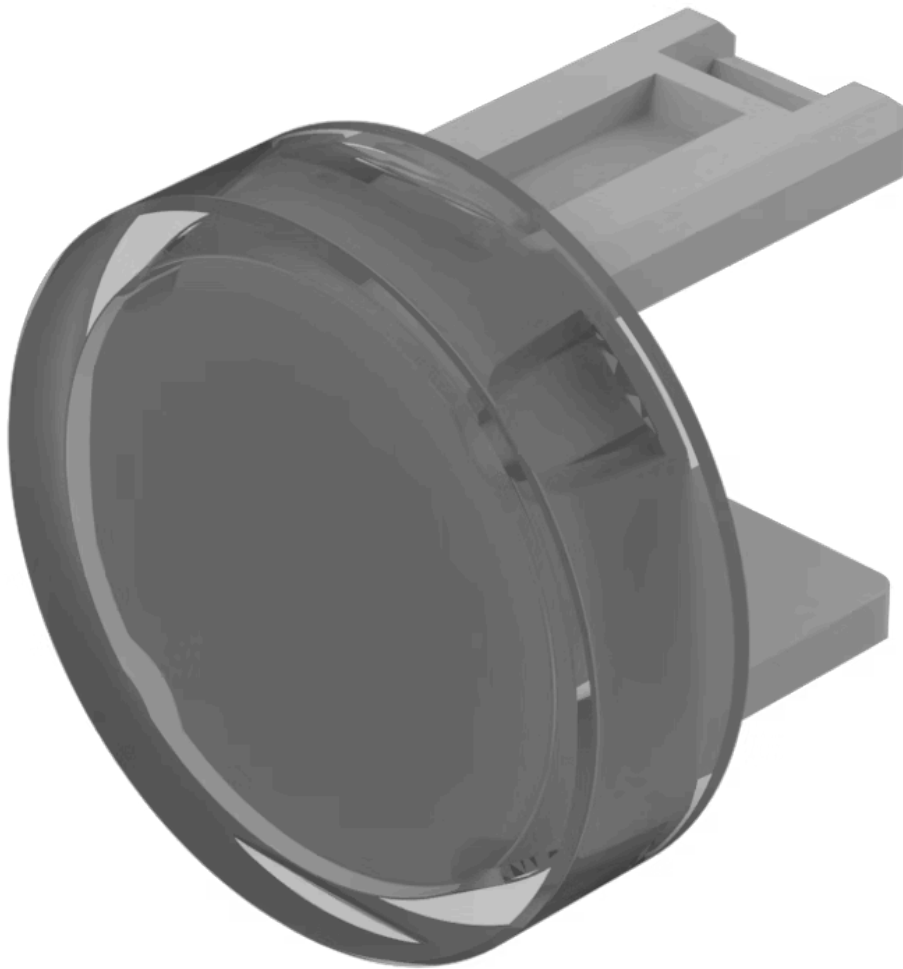


Lens

31-
931.9

Distribution by
Mouser



<https://mouser.eao.com/p/31-931.9>

Your product:



31-931.9 Lens

FRONT

Front form: round

OPERATING-/INDICATION PART

Lens colour: White

Lens material: Plastic

Lens illumination: illuminative

Lens shape: flush

Lens optics: translucent

MECHANICAL CHARACTERISTIC

Weight: 0.001 kg

CERTIFICATE

REACH: REACH compliant

RoHS: RoHS compliant

OTHER

Short Description: Lens, Ø 15.8 mm, illuminative, White, flush, Plastic

Dimension: Ø 15.8 mm

Product attributes: Not recommended for film insert

Mouser Electronics

Authorized Distributor

Click to View Pricing, Inventory, Delivery & Lifecycle Information:

[EAO:](#)

[31-931.9](#)