

# Illumination element

45-320.2H16

Distribution by  
Mouser



<https://mouser.eao.com/p/45-320.2H16>

Your product:

---



## 45-320.2H16 Illumination element

### MOUNTING

**Component mounting type:** Base mounting

### OPERATING-/INDICATION PART

**Illumination colour:** Green

### ELECTRICAL CHARACTERISTICS

**Operating voltage:** 24 V AC/DC

**Surge voltage resistance:** 4 kV

**Lumi. Intensity:** 900 - 1400 mcd

### MECHANICAL CHARACTERISTIC

**Terminal:** Screw terminal

**Weight:** 0.02 kg

### CERTIFICATE

**REACH:** REACH compliant

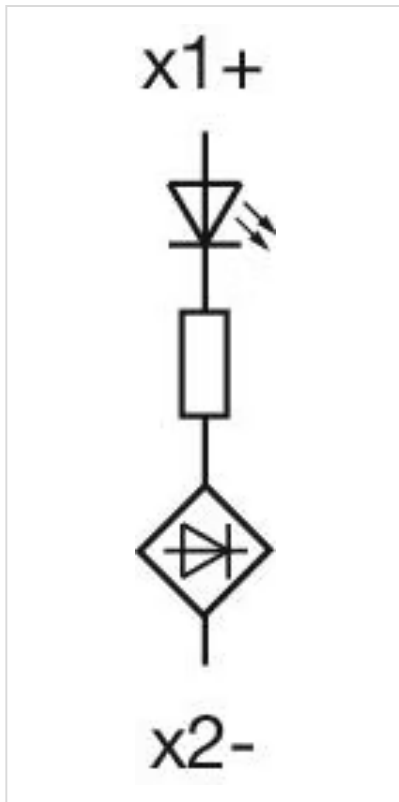
**RoHS:** RoHS compliant

### OTHER

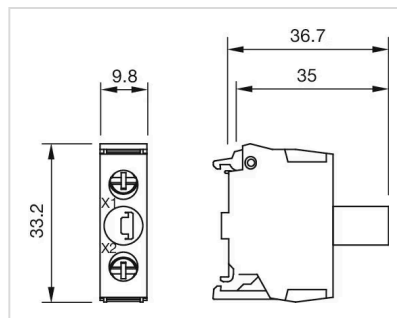
**Short Description:** Illumination element, Screw terminal, Green, 24 V AC/DC, Base mounting

**Hints:** Illumination element base mounting can used only with enclosure

**Wiring diagrams:**



Dimension drawings:



# Mouser Electronics

Authorized Distributor

Click to View Pricing, Inventory, Delivery & Lifecycle Information:

[EAO:](#)

[45-320.2H16](#)