

# Illumination element

45-320.1H18

Distribution by  
Mouser



<https://mouser.eao.com/p/45-320.1H18>

Your product:

---



## 45-320.1H18 Illumination element

### MOUNTING

**Component mounting type:** Front mounting

### OPERATING-/INDICATION PART

**Illumination colour:** Green

### ELECTRICAL CHARACTERISTICS

**Operating voltage:** 230 V AC

**Surge voltage resistance:** 4 kV

**Lumi. Intensity:** 900 - 1400 mcd

### MECHANICAL CHARACTERISTIC

**Terminal:** Screw terminal

**Weight:** 0.01 kg

### CERTIFICATE

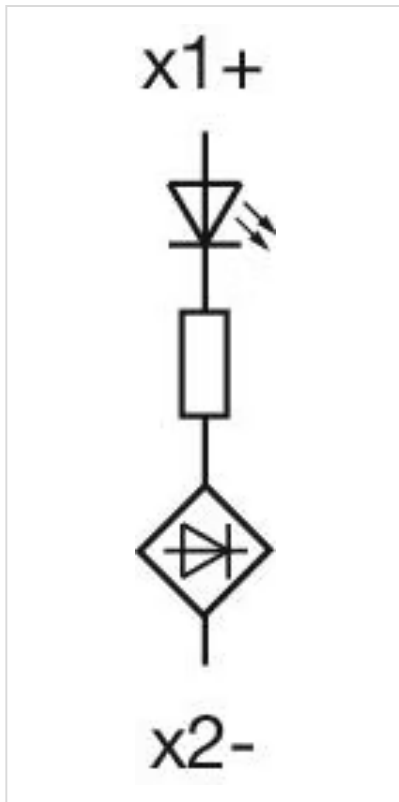
**REACH:** REACH compliant

**RoHS:** RoHS compliant

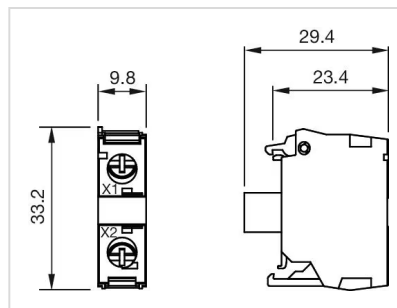
### OTHER

**Short Description:** Illumination element, Screw terminal, Green, 230 V AC, Front mounting

**Wiring diagrams:**



Dimension drawings:



# Mouser Electronics

Authorized Distributor

Click to View Pricing, Inventory, Delivery & Lifecycle Information:

[EAO:](#)

[45-320.1H18](#)