

Illumination element

45-320.1E18

Distribution by
Mouser



<https://mouser.eao.com/p/45-320.1E18>

Your product:



45-320.1E18 Illumination element

MOUNTING

Component mounting type: Front mounting

OPERATING-/INDICATION PART

Illumination colour: Red

ELECTRICAL CHARACTERISTICS

Operating voltage: 230 V AC

Surge voltage resistance: 4 kV

Lumi. Intensity: 450 - 1120 mcd

MECHANICAL CHARACTERISTIC

Terminal: Screw terminal

Weight: 0.01 kg

CERTIFICATE

REACH: REACH compliant

RoHS: RoHS compliant

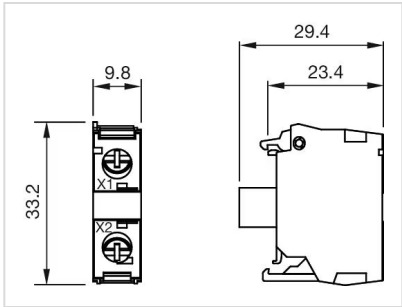
OTHER

Short Description: Illumination element, Screw terminal, Red, 230 V AC, Front mounting

Wiring diagrams:



Dimension drawings:



Mouser Electronics

Authorized Distributor

Click to View Pricing, Inventory, Delivery & Lifecycle Information:

[EAO:](#)

[45-320.1E18](#)