

Actuator

61-4210.0

Distribution by
Mouser



<https://mouser.eao.com/p/61-4210.0>

Your product:



61-4210.0 Actuator

OPERATING-/INDICATION PART

Lever material: plastic

Lever shape: short

MECHANICAL CHARACTERISTIC

Switching action: Rest - Maintained

Switching positions: 2 positions

Switching angle: 90° right

Mechanical lifetime: According to DIN/IEC 60512-5-6 and EN/IEC 60947-5-1, 100 000 cycles of operation

Operating force: 0.025...0.1 Nm snap-action switching element, 0.4 ... 0.16 Nm slow-make switching element

Operating Travel: ca. 90°

Tightening torque: Max. 0.5 Nm

Weight: 0.006 kg

AMBIENT CONDITION

IP Protection: IP40 rear side, according to EN IEC 60529, IP67 front side, according to EN IEC 60529

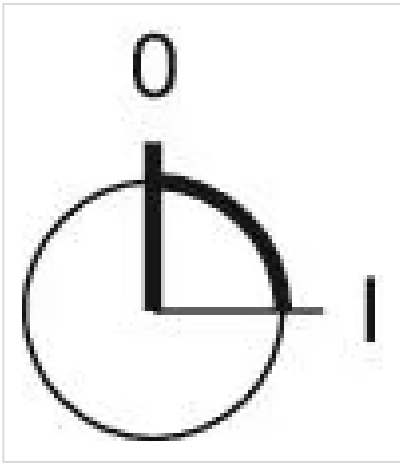
Storage temperature: - 40 °C ... + 85 °C

OTHER

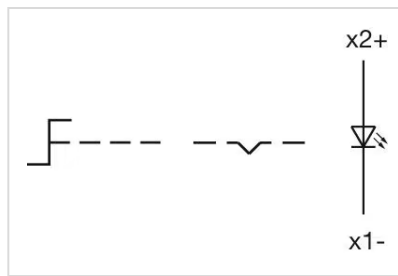
Short Description: Actuator, optional illuminative, short, Rest - Maintained

Housing material: Plastic, according to UL 94 V0, self-extinguishing

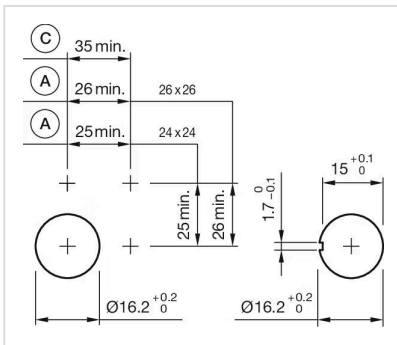
Switching positions:



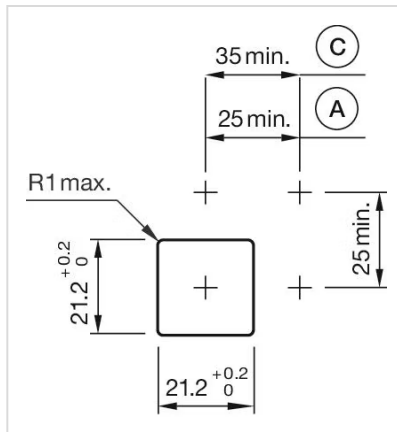
Wiring diagrams:



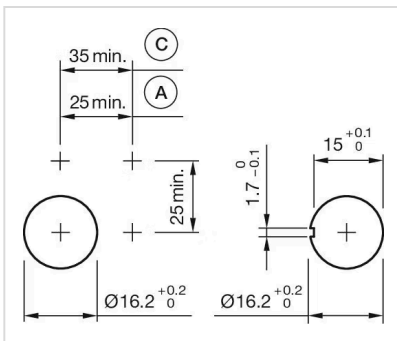
Mounting cut-outs:



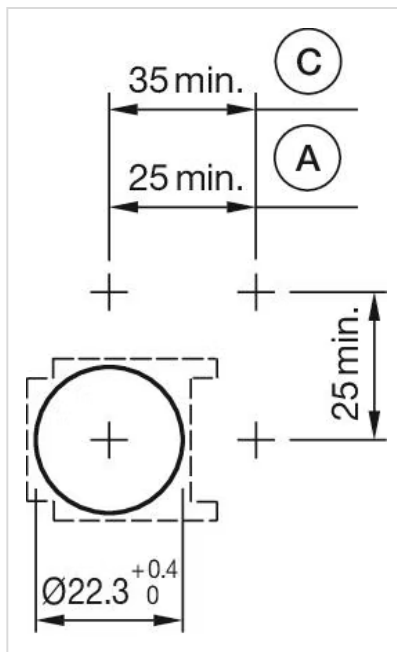
A = Solder/Plug-in terminal 2.8 mm x 0.5 mm
 C = Screw terminal



A = Solder/Plug-in terminal 2.8 mm x 0.5 mm
 C = Screw terminal

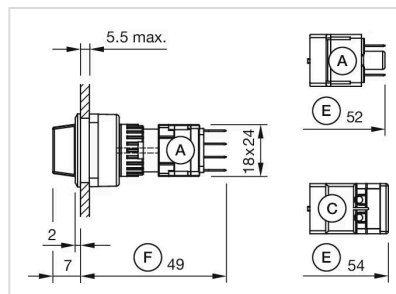


A = Solder/Plug-in terminal 2.8 mm x 0.5 mm
 C = Screw terminal

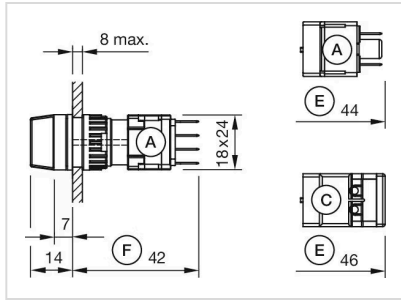


A = Solder/Plug-in terminal 2.8 mm x 0.5 mm
 C = Screw terminal

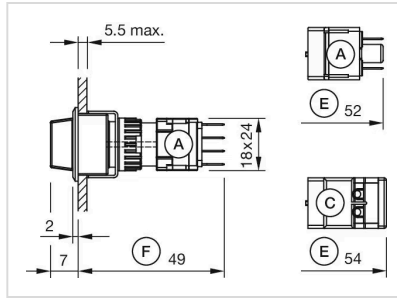
Dimension drawings:



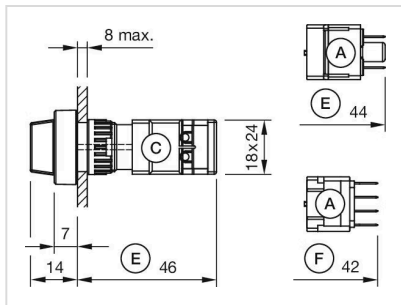
A = Plug-in terminal 2.8 mm x 0.5 mm
 C = Screw terminal
 E = Slow-make switching element
 F = Snap-action switching element



A = Plug-in terminal 2.8 mm x 0.5 mm
 C = Screw terminal
 E = Slow-make switching element
 F = Snap-action switching element



A = Plug-in terminal 2.8 mm x 0.5 mm
 C = Screw terminal
 E = Slow-make switching element
 F = Snap-action switching element



A = Plug-in terminal 2.8 mm x 0.5 mm
 C = Screw terminal
 E = Slow-make switching element
 F = Snap-action switching element

Mouser Electronics

Authorized Distributor

Click to View Pricing, Inventory, Delivery & Lifecycle Information:

[EAO:](#)

[61-4210.0](#)