

# Actuator

61-4110.0

Distribution by  
Mouser



<https://mouser.eao.com/p/61-4110.0>

Your product:

---



## 61-4110.0 Actuator

### OPERATING-/INDICATION PART

**Lever material:** plastic

**Lever shape:** short

### MECHANICAL CHARACTERISTIC

**Switching action:** Rest - Momentary

**Switching positions:** 2 positions

**Switching angle:** 42° right

**Mechanical lifetime:** According to DIN/IEC 60512-5-6 and EN/IEC 60947-5-1, 100 000 cycles of operation

**Operating force:** 0.025...0.1 Nm snap-action switching element, 0.4 ... 0.16 Nm slow-make switching element

**Operating Travel:** ca. 42°

**Tightening torque:** Max. 0.5 Nm

**Weight:** 0.006 kg

### AMBIENT CONDITION

**IP Protection:** IP40 rear side, according to EN IEC 60529, IP67 front side, according to EN IEC 60529

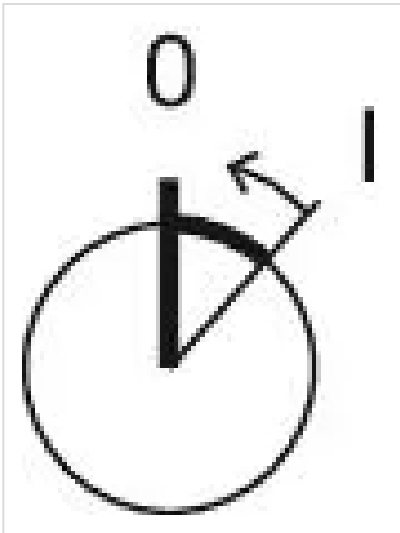
**Storage temperature:** - 40 °C ... + 85 °C

### OTHER

**Short Description:** Actuator, optional illuminative, short, Rest - Momentary

**Housing material:** Plastic, according to UL 94 V0, self-extinguishing

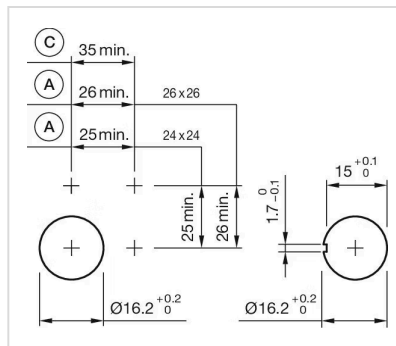
**Switching positions:**



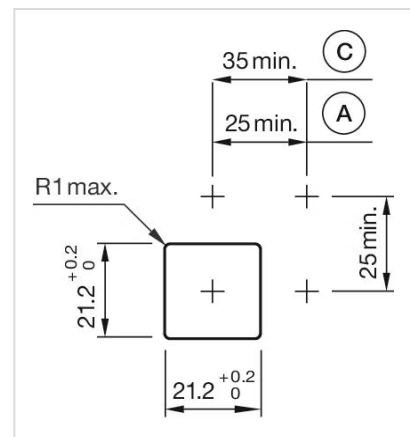
**Wiring diagrams:**



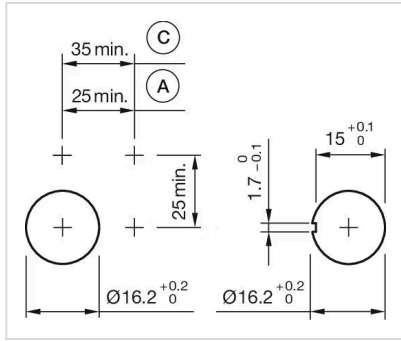
**Mounting cut-outs:**



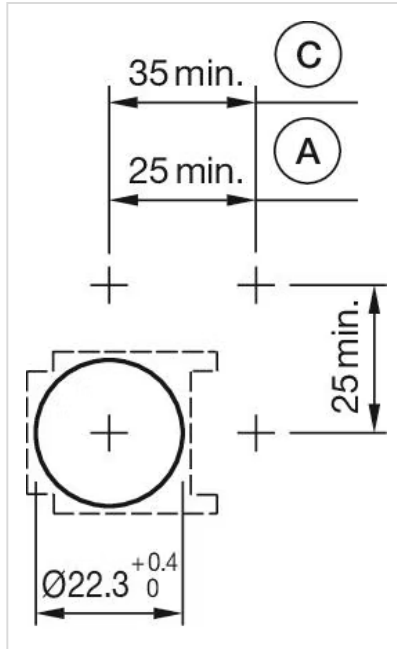
A = Solder/Plug-in terminal 2.8 mm x 0.5 mm  
 C = Screw terminal



A = Solder/Plug-in terminal 2.8 mm x 0.5 mm  
 C = Screw terminal

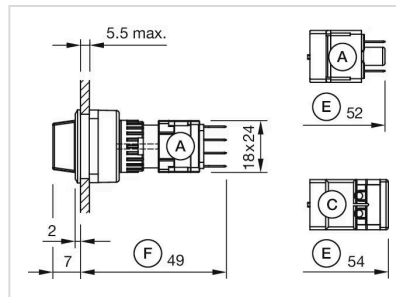


A = Solder/Plug-in terminal 2.8 mm x 0.5 mm  
 C = Screw terminal

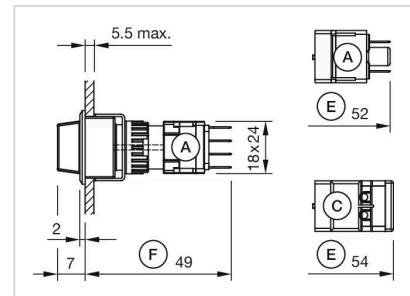


A = Solder/Plug-in terminal 2.8 mm x 0.5 mm  
 C = Screw terminal

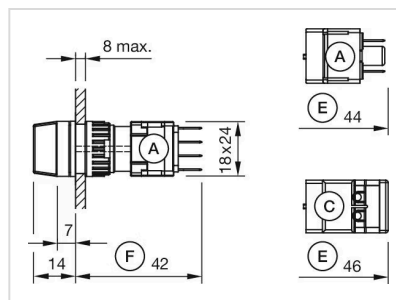
**Dimension drawings:**



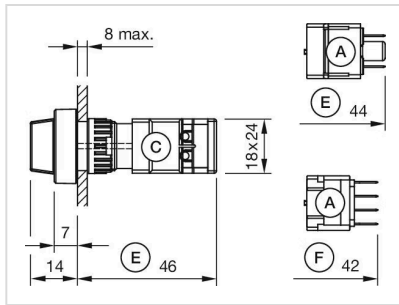
A = Plug-in terminal 2.8 mm x 0.5 mm  
 C = Screw terminal  
 E = Slow-make switching element  
 F = Snap-action switching element



A = Plug-in terminal 2.8 mm x 0.5 mm  
 C = Screw terminal  
 E = Slow-make switching element  
 F = Snap-action switching element



A = Plug-in terminal 2.8 mm x 0.5 mm  
 C = Screw terminal  
 E = Slow-make switching element  
 F = Snap-action switching element



A = Plug-in terminal 2.8 mm x 0.5 mm  
C = Screw terminal  
E = Slow-make switching element  
F = Snap-action switching element

# Mouser Electronics

Authorized Distributor

Click to View Pricing, Inventory, Delivery & Lifecycle Information:

[EAO:](#)

[61-4110.0](#)