

Actuator

61-
0010.02

Distribution by
Mouser



<https://mouser.eao.com/p/61-0010.02>

Your product:



61-0010.02 Actuator

FRONT

Front dimension:	Ø 18 mm
Front form:	round
Front bezel colour:	Black
Front bezel material:	Plastic

MOUNTING

Mounting cut-out:	Ø 16 mm
Mounting type:	Panel mounting

MECHANICAL CHARACTERISTIC

Terminal:	Plug-in terminal, 2.8 x 0.5 mm
Tightening torque:	Max. 0.5 Nm
Weight:	0.005 kg

AMBIENT CONDITION

IP Protection:	IP40 rear side, according to EN IEC 60529, IP67 front side, according to EN IEC 60529
Operating temperature:	- 25 °C ... + 55 °C
Storage temperature:	- 40 °C ... + 85 °C

CERTIFICATE

REACH: REACH compliant

RoHS: RoHS compliant

OTHER

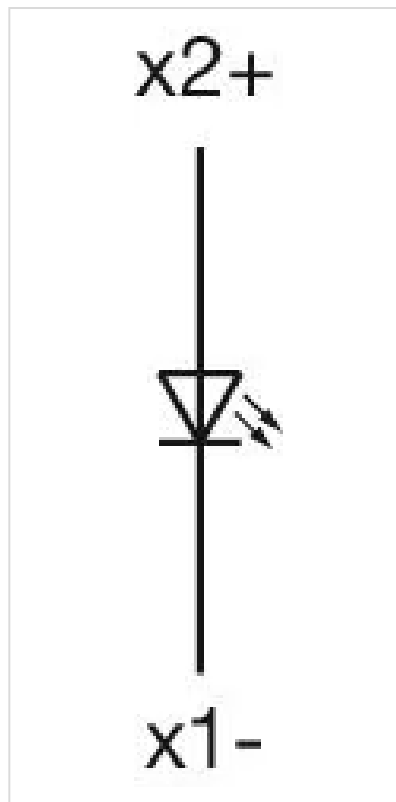
Short Description: Actuator, Ø 16 mm, Ø 18 mm, round, Black, Plastic, Plug-in terminal, 2.8 x 0.5 mm

Internal size: Ø 15,8 mm

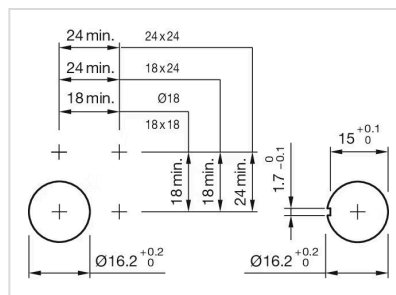
Housing colour: Black

Housing material: Plastic, according to UL 94 V0, self-extinguishing

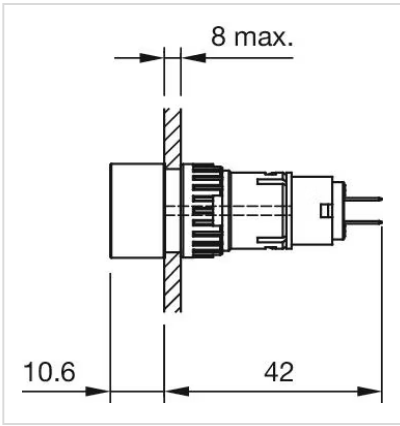
Wiring diagrams:



Mounting cut-outs:



Dimension drawings:



Mouser Electronics

Authorized Distributor

Click to View Pricing, Inventory, Delivery & Lifecycle Information:

[EAO:](#)

[61-0010.02](#)