

Actuator

45-
2925.2000.111

Distribution by
Mouser



<https://mouser.eao.com/p/45-2925.2000.111>

Your product:



45-2925.2000.111 Actuator

FRONT

Front dimension:	Ø 29,5 mm
Front form:	round
Front bezel colour:	Silver
Front bezel material:	Metal

MOUNTING

Design:	raised
Mounting cut-out:	Ø 22.3 mm
Mounting type:	Panel mounting

MECHANICAL CHARACTERISTIC

Switching action:	Rest - Maintained (a)
Switching positions:	2 positions
Switching angle:	90° right / -45° ... +45°
Mechanical lifetime:	1 Mio. cycles of operation
Operating frequency:	1 800/h
Weight:	0.084 kg

AMBIENT CONDITION

IP front protection:	IP66, IP67, IP69K
Operating temperature:	- 25 °C ... + 70 °C
Storage temperature:	- 40 °C ... + 80 °C

Shock resistance: According to IEC 60068-2-27: Sinusoidal half-wave 50 g / 11 ms

Vibration resistance: According to IEC 60068-2-6: 10 ... 500 Hz: 5 g

Climate resistance: During operation according to IEC 60721: 3K6, 3C3, 3S2, 3M6

CERTIFICATE

REACH: REACH compliant

RoHS: RoHS compliant

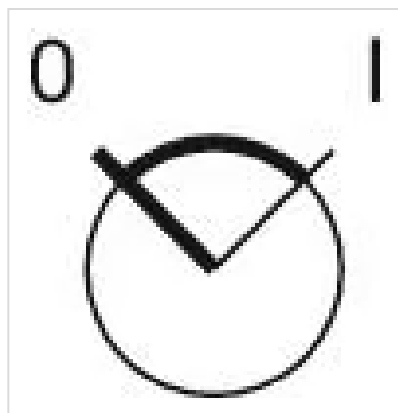
OTHER

Short Description: Actuator, Ø 22.3 mm, Ø 29,5 mm, round, Silver, Metal, Rest - Maintained (a), IP66, IP67, IP69K

Housing material: Metal

Hints: The standard lock: RONIS, T254

Switching positions:



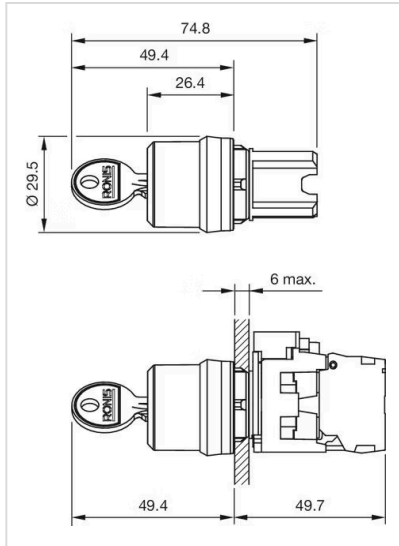
Wiring diagrams:



Mounting cut-outs:



Dimension drawings:



Mouser Electronics

Authorized Distributor

Click to View Pricing, Inventory, Delivery & Lifecycle Information:

[EAO:](#)

[45-2925.2000.111](tel:45-2925.2000.111)