

# Actuator

45-  
2925.1000.111

Distribution by  
Mouser



<https://mouser.eao.com/p/45-2925.1000.111>

Your product:

---



## 45-2925.1000.111 Actuator

### FRONT

<b>Front dimension:</b>	Ø 29,5 mm
<b>Front form:</b>	round
<b>Front bezel colour:</b>	Black
<b>Front bezel material:</b>	Plastic

### MOUNTING

<b>Design:</b>	raised
<b>Mounting cut-out:</b>	Ø 22.3 mm
<b>Mounting type:</b>	Panel mounting

### MECHANICAL CHARACTERISTIC

<b>Switching action:</b>	Rest - Maintained (a)
<b>Switching positions:</b>	2 positions
<b>Switching angle:</b>	90° right / -45° ... +45°
<b>Mechanical lifetime:</b>	1 Mio. cycles of operation
<b>Operating frequency:</b>	1 800/h
<b>Weight:</b>	0.054 kg

### AMBIENT CONDITION

<b>IP front protection:</b>	IP66, IP67, IP69K
<b>Operating temperature:</b>	- 25 °C ... + 70 °C
<b>Storage temperature:</b>	- 40 °C ... + 80 °C

**Shock resistance:** According to IEC 60068-2-27: Sinusoidal half-wave 50 g / 11 ms

**Vibration resistance:** According to IEC 60068-2-6: 10 ... 500 Hz: 5 g

**Climate resistance:** During operation according to IEC 60721: 3K6, 3C3, 3S2, 3M6

## CERTIFICATE

**REACH:** REACH compliant

**RoHS:** RoHS compliant

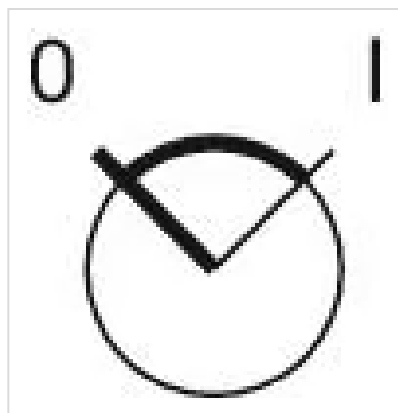
## OTHER

**Short Description:** Actuator, Ø 22.3 mm, Ø 29,5 mm, round, Black, Plastic, Rest - Maintained (a), IP66, IP67, IP69K

**Housing material:** Plastic

**Hints:** The standard lock: RONIS, T254

**Switching positions:**



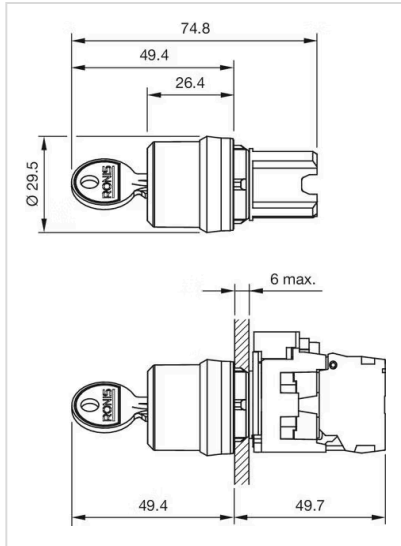
**Wiring diagrams:**



**Mounting cut-outs:**



**Dimension drawings:**



# Mouser Electronics

Authorized Distributor

Click to View Pricing, Inventory, Delivery & Lifecycle Information:

[EAO:](#)

[45-2925.1000.111](tel:45-2925.1000.111)