

# Actuator

45-  
2828.4C90.001

Distribution by  
Mouser



<https://mouser.eao.com/p/45-2828.4C90.001>

Your product:

---



## 45-2828.4C90.001 Actuator

### FRONT

<b>Front dimension:</b>	Ø 38 mm
<b>Front form:</b>	round
<b>Front bezel colour:</b>	Sand grey
<b>Front bezel material:</b>	Metal

### MOUNTING

<b>Design:</b>	flush
<b>Mounting cut-out:</b>	Ø 30.5 mm
<b>Mounting type:</b>	Panel mounting

### OPERATING-/INDICATION PART

<b>Lever colour:</b>	White
<b>Lever material:</b>	plastic
<b>Lever shape:</b>	short

### MECHANICAL CHARACTERISTIC

<b>Switching action:</b>	Rest - Maintained
<b>Switching positions:</b>	2 positions
<b>Switching angle:</b>	90° right / -45° ... +45°
<b>Mechanical lifetime:</b>	1 Mio. cycles of operation
<b>Operating frequency:</b>	1 800/h
<b>Weight:</b>	0.083 kg

## AMBIENT CONDITION

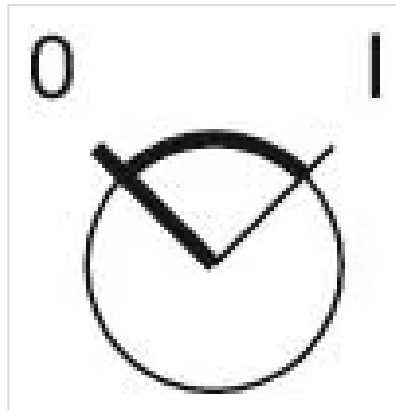
<b>IP front protection:</b>	IP66, IP67, IP69K
<b>Operating temperature:</b>	- 25 °C ... + 70 °C
<b>Storage temperature:</b>	- 40 °C ... + 80 °C
<b>Shock resistance:</b>	According to IEC 60068-2-27: Sinusoidal half-wave 50 g / 11 ms
<b>Vibration resistance:</b>	According to IEC 60068-2-6: 10 ... 500 Hz: 5 g
<b>Climate resistance:</b>	During operation according to IEC 60721: 3K6, 3C3, 3S2, 3M6

## CERTIFICATE

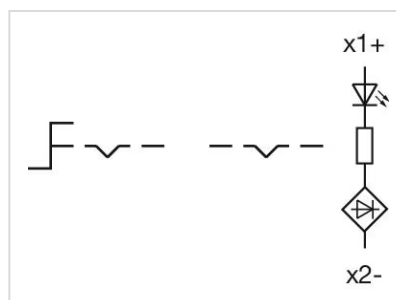
<b>REACH:</b>	REACH compliant
<b>RoHS:</b>	RoHS compliant

## OTHER

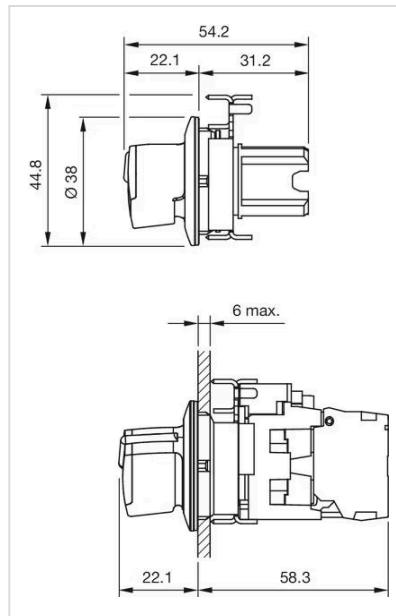
<b>Short Description:</b>	Actuator, Ø 30.5 mm, Ø 38 mm, optional illuminative, White, short, round, Sand grey, Metal, Rest - Maintained, IP66, IP67, IP69K
<b>Housing material:</b>	Metal
<b>Hints:</b>	Front panel thickness 1 ... 6 mm
<b>Switching positions:</b>	



## Wiring diagrams:



**Dimension drawings:**



# Mouser Electronics

Authorized Distributor

Click to View Pricing, Inventory, Delivery & Lifecycle Information:

[EAO:](#)

[45-2828.4C90.001](#)