

Actuator

45-
2828.4C20.001

Distribution by
Mouser



<https://mouser.eao.com/p/45-2828.4C20.001>

Your product:



45-2828.4C20.001 Actuator

FRONT

Front dimension:	Ø 38 mm
Front form:	round
Front bezel colour:	Sand grey
Front bezel material:	Metal

MOUNTING

Design:	flush
Mounting cut-out:	Ø 30.5 mm
Mounting type:	Panel mounting

OPERATING-/INDICATION PART

Lever colour:	Red
Lever material:	plastic
Lever shape:	short

MECHANICAL CHARACTERISTIC

Switching action:	Rest - Maintained
Switching positions:	2 positions
Switching angle:	45° left / 90° right / -45° ... +45°
Mechanical lifetime:	1 Mio. cycles of operation
Operating frequency:	1 800/h
Weight:	0.082 kg

AMBIENT CONDITION

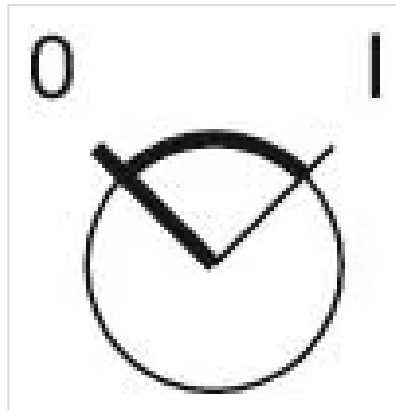
IP front protection:	IP66, IP67, IP69K
Operating temperature:	- 25 °C ... + 70 °C
Storage temperature:	- 40 °C ... + 80 °C
Shock resistance:	According to IEC 60068-2-27: Sinusoidal half-wave 50 g / 11 ms
Vibration resistance:	According to IEC 60068-2-6: 10 ... 500 Hz: 5 g
Climate resistance:	During operation according to IEC 60721: 3K6, 3C3, 3S2, 3M6

CERTIFICATE

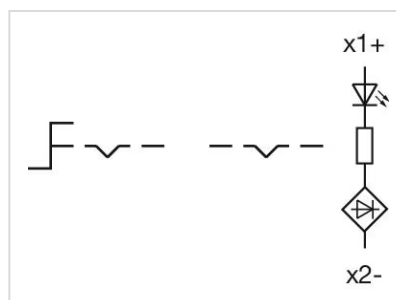
REACH:	REACH compliant
RoHS:	RoHS compliant

OTHER

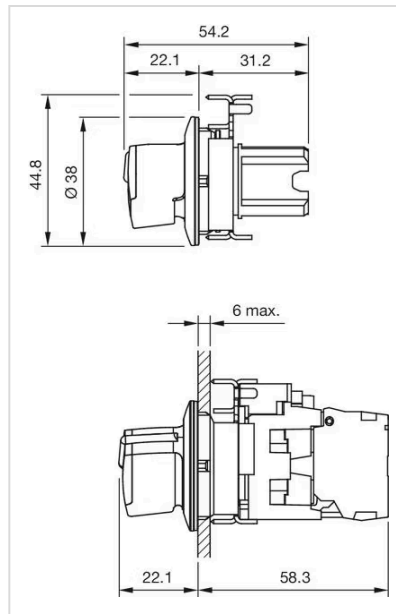
Short Description:	Actuator, Ø 30.5 mm, Ø 38 mm, optional illuminative, Red, short, round, Sand grey, Metal, Rest - Maintained, IP66, IP67, IP69K
Housing material:	Metal
Hints:	Front panel thickness 1 ... 6 mm
Switching positions:	



Wiring diagrams:



Dimension drawings:



Mouser Electronics

Authorized Distributor

Click to View Pricing, Inventory, Delivery & Lifecycle Information:

[EAO:](#)

[45-2828.4C20.001](#)