

Actuator

31-
051.006



<https://eao.com/p/31-051.006>

Your product:



31-051.006 Actuator

FRONT

Front dimension:	18 mm x 18 mm
Front form:	square
Front bezel colour:	Black
Front bezel material:	Plastic

MOUNTING

Design:	raised
Mounting cut-out:	Ø 16 mm
Mounting type:	Panel mounting

MECHANICAL CHARACTERISTIC

Terminal:	Universal terminal, 2 x 0.5 mm
Weight:	0.005 kg

CERTIFICATE

REACH:	REACH compliant
RoHS:	RoHS compliant

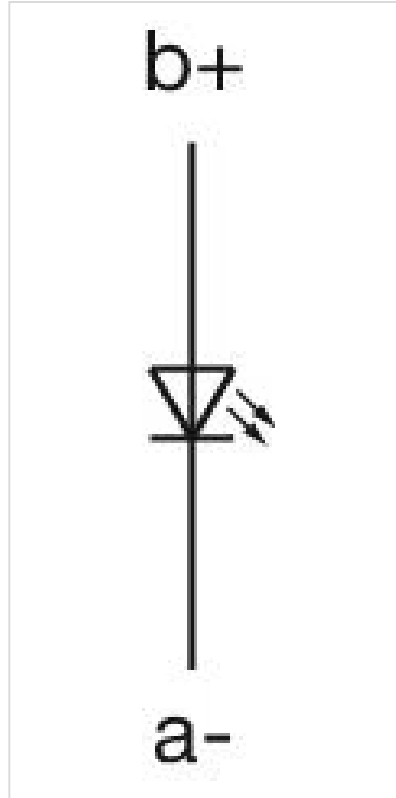
OTHER

Short Description:	Actuator, Ø 16 mm, 18 mm x 18 mm, square, Black, Plastic, Universal terminal, 2 x 0.5 mm
Internal size:	15,3 mm x 15,3 mm
Housing colour:	Black

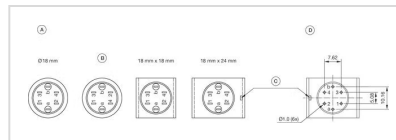
Housing material:

Plastic

Wiring diagrams:

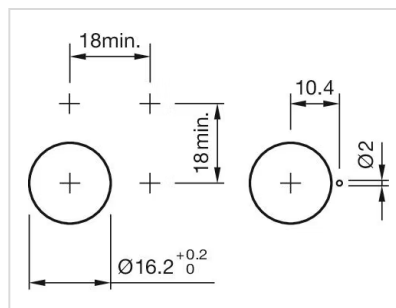


Component layouts:

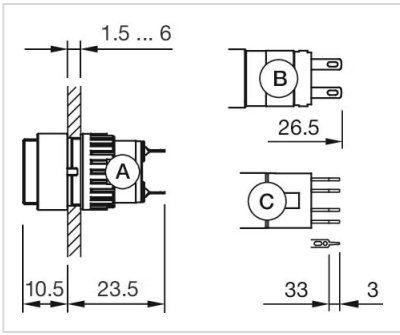


A = Terminals (rear side)
B = Diode block
C = Anti twist device only 18 mm x 24 mm
D = Drilling plan (component side)

Mounting cut-outs:



Dimension drawings:



A = Solder terminal

B = Plug-in terminal 2.8 mm x 0.5 mm

C = Universal terminal 2.0 mm x 0.5 mm

Mouser Electronics

Authorized Distributor

Click to View Pricing, Inventory, Delivery & Lifecycle Information:

[EAO:](#)

[31-051.006](#)