

# Actuator

31-  
030.002

Distribution by  
Mouser



<https://mouser.eao.com/p/31-030.002>

Your product:

---



## 31-030.002 Actuator

### FRONT

<b>Front dimension:</b>	Ø 18 mm
<b>Front form:</b>	round
<b>Front bezel colour:</b>	Black
<b>Front bezel material:</b>	Plastic

### MOUNTING

<b>Design:</b>	raised
<b>Mounting cut-out:</b>	Ø 16 mm
<b>Mounting type:</b>	Panel mounting

### MECHANICAL CHARACTERISTIC

<b>Terminal:</b>	Plug-in terminal, 2.8 x 0.5 mm
<b>Weight:</b>	0.004 kg

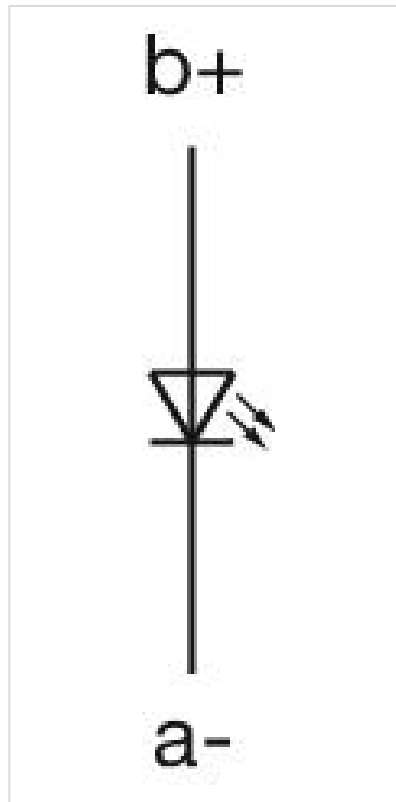
### CERTIFICATE

<b>REACH:</b>	REACH compliant
<b>RoHS:</b>	RoHS compliant

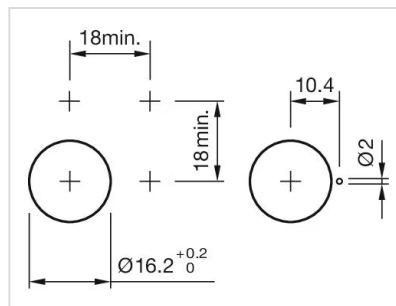
### OTHER

<b>Short Description:</b>	Actuator, Ø 16 mm, Ø 18 mm, round, Black, Plastic, Plug-in terminal, 2.8 x 0.5 mm
<b>Internal size:</b>	Ø 15,8 mm
<b>Housing colour:</b>	Black

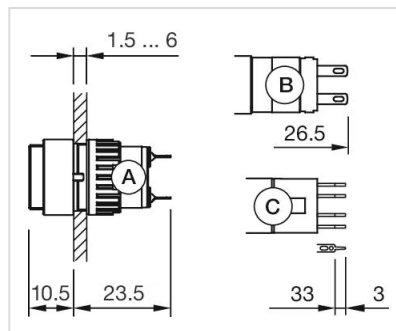
**Wiring diagrams:**



**Mounting cut-outs:**



**Dimension drawings:**



- A = Solder terminal
- B = Plug-in terminal 2.8 mm x 0.5 mm
- C = Universal terminal 2.0 mm x 0.5 mm

# Mouser Electronics

Authorized Distributor

Click to View Pricing, Inventory, Delivery & Lifecycle Information:

[EAO:](#)

[31-030.002](#)