

# Actuator

19-  
031.005

Distribution by  
Mouser



Your product:

---



## 19-031.005 Actuator

### FRONT

<b>Front dimension:</b>	Ø 9 mm
<b>Front form:</b>	round
<b>Front bezel colour:</b>	Black
<b>Front bezel material:</b>	Plastic

### MOUNTING

<b>Design:</b>	raised
<b>Mounting cut-out:</b>	Ø 8 mm
<b>Mounting type:</b>	Panel mounting

### MECHANICAL CHARACTERISTIC

<b>Terminal:</b>	Plug-in terminal, 2 x 0.5 mm
<b>Weight:</b>	0.002 kg

### AMBIENT CONDITION

<b>Operating temperature:</b>	- 25 °C ... + 45 °C with filament lamp, - 25 °C ... + 65 °C with LED, mounted as a block, make sure the heat can escape freely
-------------------------------	--

### CERTIFICATE

<b>REACH:</b>	REACH compliant
<b>RoHS:</b>	RoHS compliant

### OTHER

**Short Description:**

Actuator, Ø 8 mm, Ø 9 mm, round, Black, Plastic, Plug-in terminal, 2 x 0.5 mm

**Internal size:**

Ø 7,3 mm

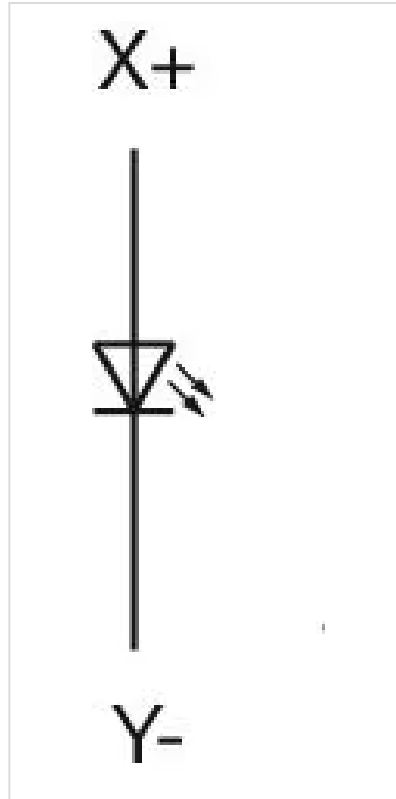
**Housing colour:**

Black

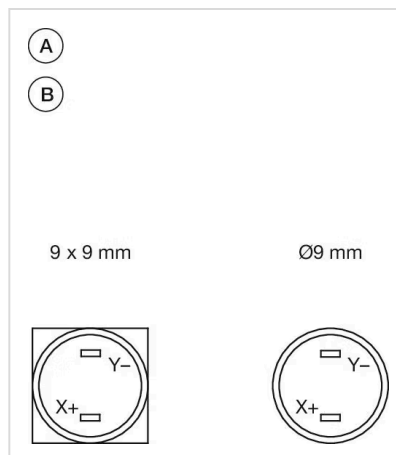
**Housing material:**

Plastic

**Wiring diagrams:**

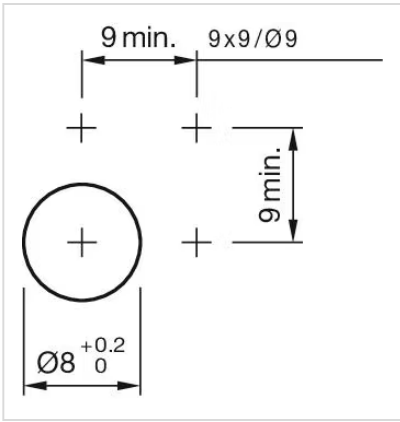


**Component layouts:**

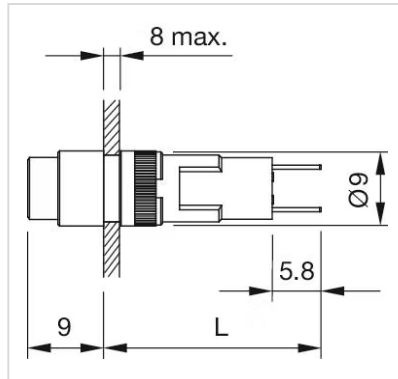


A = Terminals (rear side)  
B = Indicator

**Mounting cut-outs:**



Dimension drawings:



# Mouser Electronics

Authorized Distributor

Click to View Pricing, Inventory, Delivery & Lifecycle Information:

[EAO:](#)

[19-031.005](#)