

# Indicator

17-100354

Distribution by  
Mouser



<https://mouser.eao.com/p/17-100354>

Your product:

---



## 17-100354 Indicator

### FRONT

<b>Front dimension:</b>	Ø 9,5 mm
<b>Front form:</b>	round
<b>Reflector:</b>	Metal, polished chromium-plated, flat top LED

### MOUNTING

<b>Design:</b>	raised
<b>Mounting cut-out:</b>	Ø 8 mm
<b>Mounting type:</b>	Panel mounting

### OPERATING-/INDICATION PART

<b>Illumination colour:</b>	Red / Yellow / Green
-----------------------------	----------------------

### ELECTRICAL CHARACTERISTICS

<b>Operating voltage:</b>	24 V AC ±10 %
<b>Operation current:</b>	15 mA ±15 %
<b>Lumi. Intensity:</b>	3/3/6 mcd
<b>Polarity:</b>	Anode (+) Brass plug-in connector Cathode (-) Brass tinned plug-in connector

### MECHANICAL CHARATERISTIC

**Terminal:** Plug-in terminal, 2 x 0.5 mm  
**Tightening torque:** Fixing nut max. 0.2 Nm  
**Weight:** 0.005 kg

### AMBIENT CONDITION

**IP Protection:** IP40 front side, IP65 front side, according to IEC 60529  
**Operating temperature:** - 20 °C ... + 60 °C  
**Storage temperature:** - 25 °C ... + 80 °C

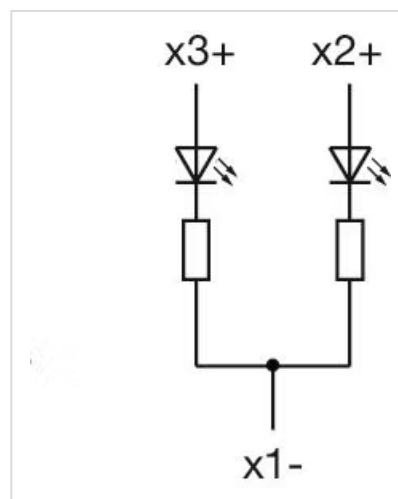
### CERTIFICATE

**Approbations:** UL  
**Conformities:** 2011 / 65 / EC (RoHS), 2014 / 35 / EU (230 VAC)  
**REACH:** REACH compliant  
**RoHS:** RoHS compliant

### OTHER

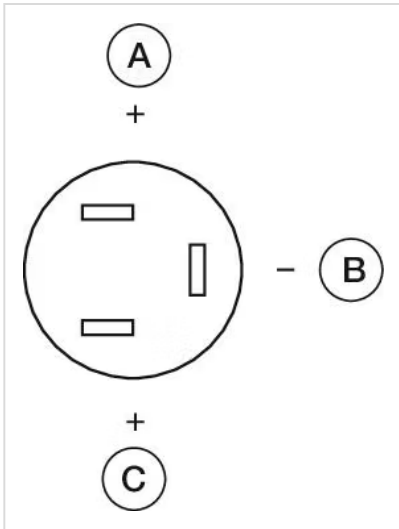
**Short Description:** Indicator, Ø 8 mm, Ø 9,5 mm, round, Plug-in terminal, 2 x 0.5 mm, Red / Yellow / Green  
**Kind of illumination:** Tri-colour-LED  
**Hints:** Connectors: Brass terminal = anode (+); brass tinned terminal = cathode (-), IP67 front side gap between LED and reflector and gap between reflector and frontplate sealed to IP67 when using the supplied gasket., The plastic is limited resistant to chemicals.

### Wiring diagrams:

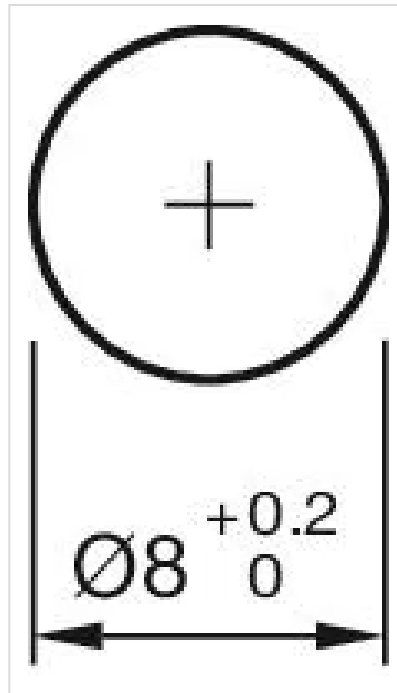


### Component layouts:

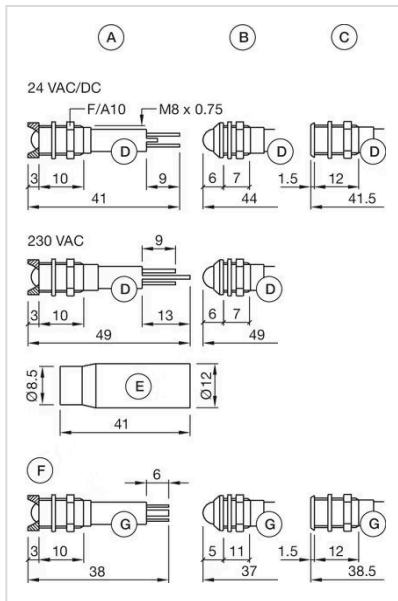
A = Red  
B = common cathode  
C = Green



**Mounting cut-outs:**



**Dimension drawings:**



- A = interior
- B = exterior
- C = superflat
- D = Plug-in terminal 2.8 mm x 0.8 mm
- E = Multi-colour
- F = Protection tube
- G = Plug-in terminal 2.0 mm x 0.5 mm

# Mouser Electronics

Authorized Distributor

Click to View Pricing, Inventory, Delivery & Lifecycle Information:

[EAO:](#)

[17-100354](#)