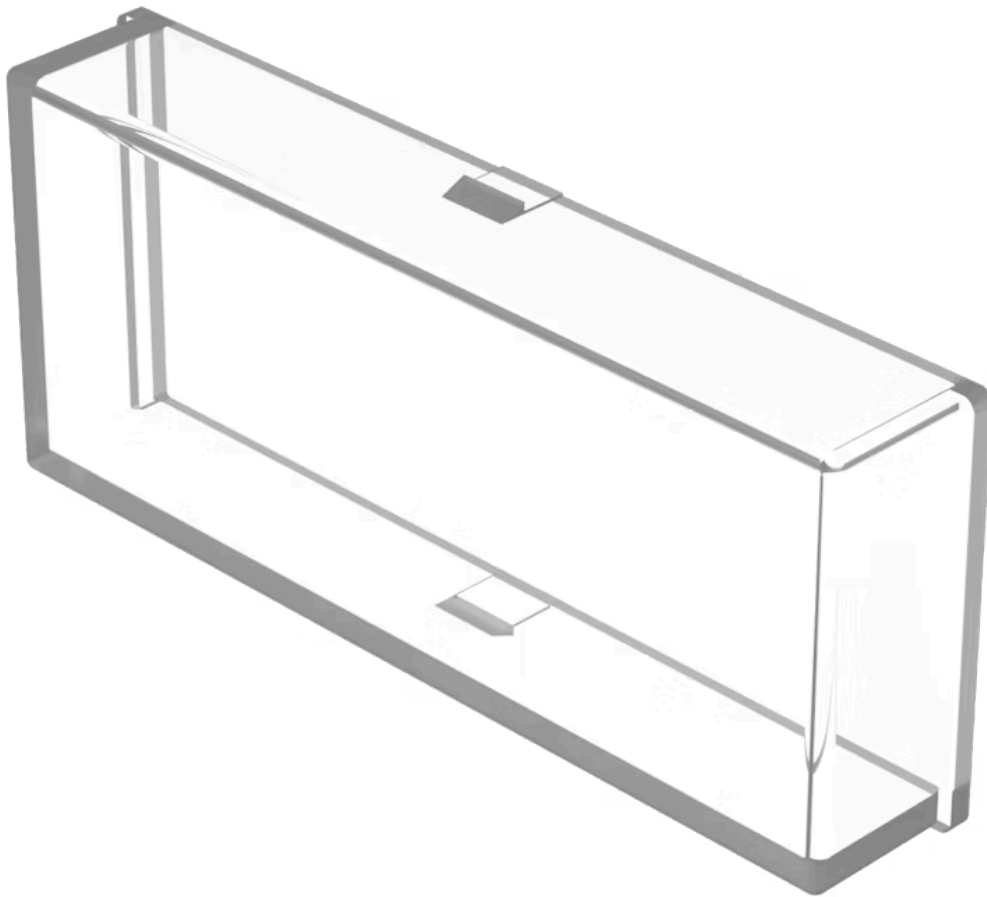


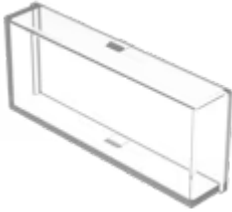
Hold-down unit

03-908.7



<https://eao.com/p/03-908.7>

Your product:



03-908.7 Hold-down unit

FRONT

Colour: Colourless

MECHANICAL CHARACTERISTIC

Weight: 0.001 kg

OTHER

Short Description: Hold-down unit, Plastic, transparent, Colourless

Titel Accessory: Hold-down unit

Material: Plastic

Optics: transparent

Mouser Electronics

Authorized Distributor

Click to View Pricing, Inventory, Delivery & Lifecycle Information:

[EAO:](#)

[03-908.7](#)